

4X Ø10.3 [0.406]
MOUNTING HOLES

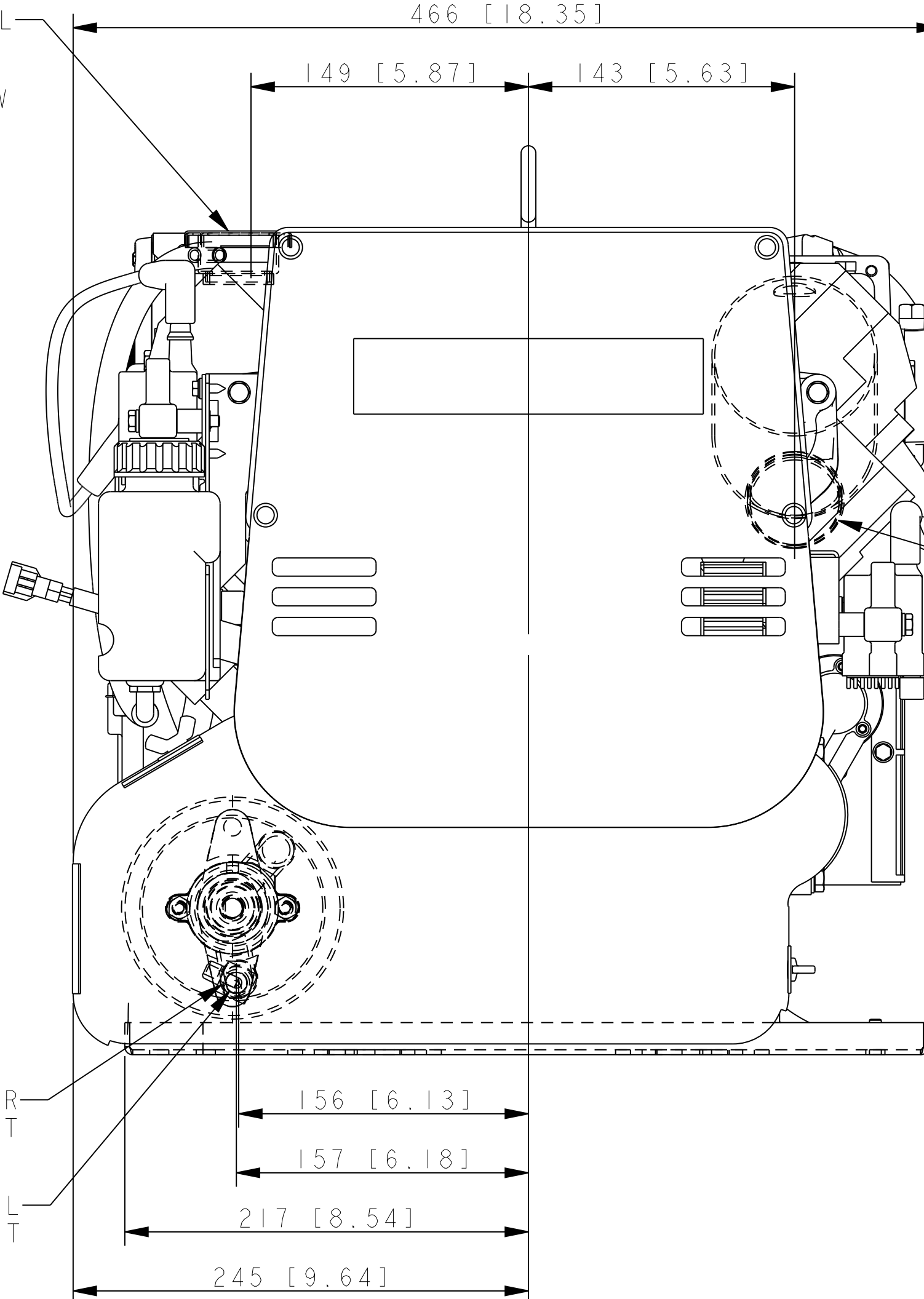
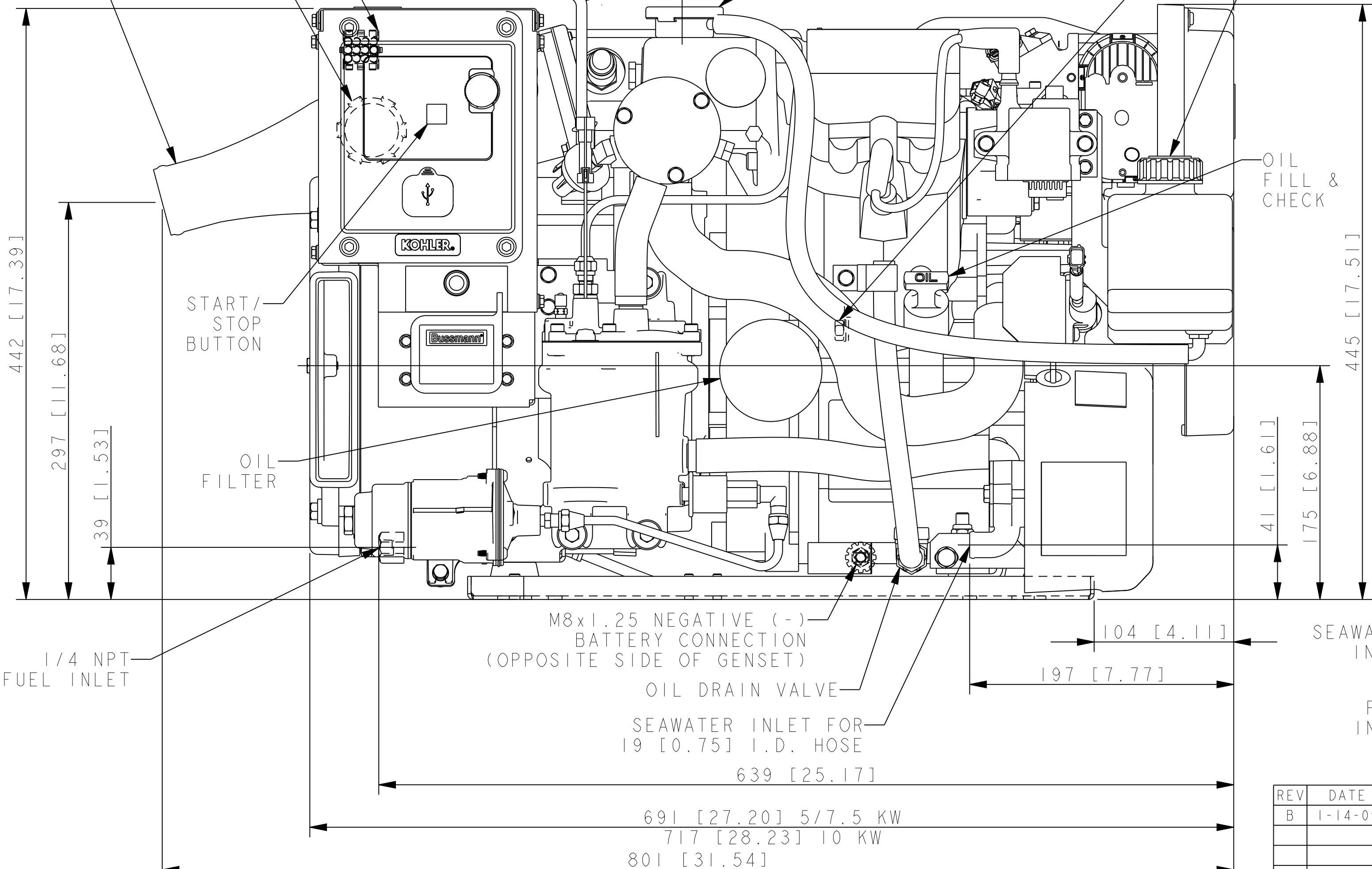
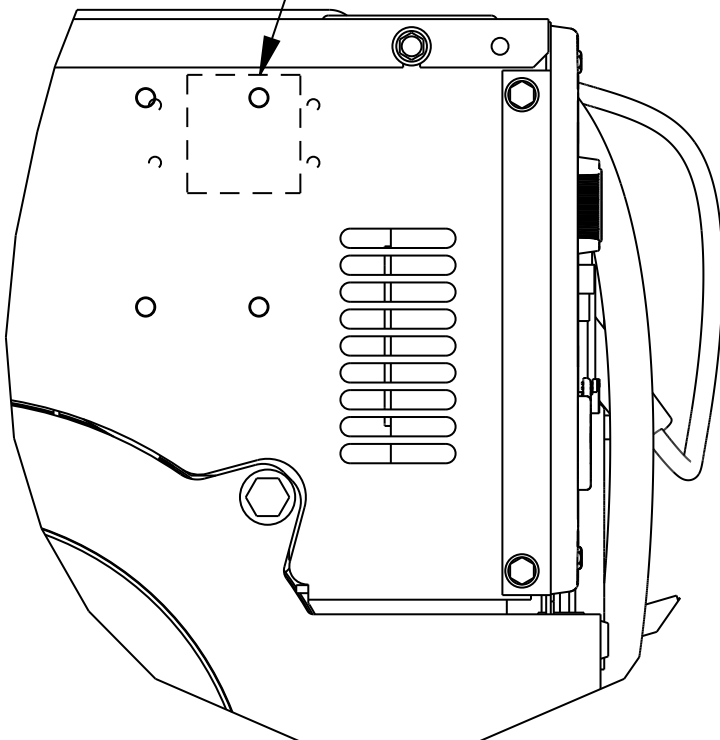
OPTIONAL LIFTING EYE
(REMOVE AFTER INSTALLATION)

CUSTOMER INTERFACE CONNECTION
(ON REAR OF JUNCTION BOX)

CUSTOMER LOAD LEAD CONNECTOR
(ON REAR OF JUNCTION BOX)

OPTIONAL CIRCUIT BREAKER
LOCATION (OPPOSITE SIDE
OF JUNCTION BOX)

WATER COOLED
EXHAUST OUTLET
FOR 51 [2.00]
I.D. HOSE



442 [17.39]
297 [11.68]
39 [1.53]

1/4 NPT
FUEL INLET

START/
STOP
BUTTON

OIL
FILTER

25 [0.98]

310 [12.20]

93 [3.66]

412 [16.24]

360 [14.17]

432 [17.01]

M8x1.25 POSITIVE (+)
BATTERY CONNECTION ON STARTER
(OPPOSITE SIDE OF GENSET)

WATER FILL
COOLANT
OVERFLOW
BOTTLE

466 [18.35]

149 [5.87]

143 [5.63]

OIL
FILL &
CHECK

WATER COOLED
EXHAUST OUTLET

41 [1.61]
175 [6.88]

SEAWATER
INLET

FUEL
INLET

156 [6.13]

157 [6.18]

217 [8.54]

245 [9.64]

M8x1.25 NEGATIVE (-)
BATTERY CONNECTION
(OPPOSITE SIDE OF GENSET)

OIL DRAIN VALVE

SEAWATER INLET FOR
19 [0.75] I.D. HOSE

104 [4.11]

197 [7.77]

639 [25.17]

691 [27.20] 5/7.5 KW

717 [28.23] 10 KW

801 [31.54]

NOTE
DIMENSIONS IN [] ARE
IN INCH EQUIVALENTS.

2P6.5
5/7.5/10 KW MARINE

REV	DATE	DESCRIPTION	BY
B	1-14-09	ON COMPOSITE DWGS. SEE PART NO. FOR REVISION LEVEL (A-3) 156 [6.13] WAS 136 [5.34] & 157 [6.18] WAS 156 [6.15]; (A-4) 197 [7.77] WAS 199 [7.85]; (B-4) 41 [1.61] WAS 110 [4.34]; (A-5) 639 [25.17] WAS 656 [25.81]; (B-7) 39 [1.53] WAS 38 [1.51]; (A-7) 1/4 NPT FUEL INLET WAS FUEL INLET FOR 6 [0.25] I.D. HOSE [86812]	DDH

KOHLER CO. METRIC PRO-E
POWER SYSTEMS, KOHLER, WI 53044 U.S.A.
THIS DRAWING IN DESIGN AND DETAIL IS KOHLER CO. PROPERTY AND MUST NOT BE USED EXCEPT IN CONNECTION WITH KOHLER CO. WORK. ALL RIGHTS OF DESIGN OR INVENTION ARE RESERVED.

TITLE: **DIMENSION PRINT**

SCALE: 0.40 CAD NO. SHEET 1 of 2
DWG NO.: **ADV-7439**

OPTIONAL SIPHON BREAK KIT
SIPHON BREAK CONNECTIONS FOR 16 [0.62] OR 19 [0.75] I.D. HOSE

EQUIPMENT GROUND
CUSTOMER INTERFACE CONNECTION

WATER COOLED EXHAUST OUTLET FOR 51 [2.00] I.D. HOSE

WATER COOLED EXHAUST OUTLET
GENERATOR AIR OUTLET
CUSTOMER LOAD LEAD ACCESS

3/8-16 NEGATIVE (-) BATTERY CONNECTION
3/8-16 POSITIVE (+) BATTERY CONNECTION

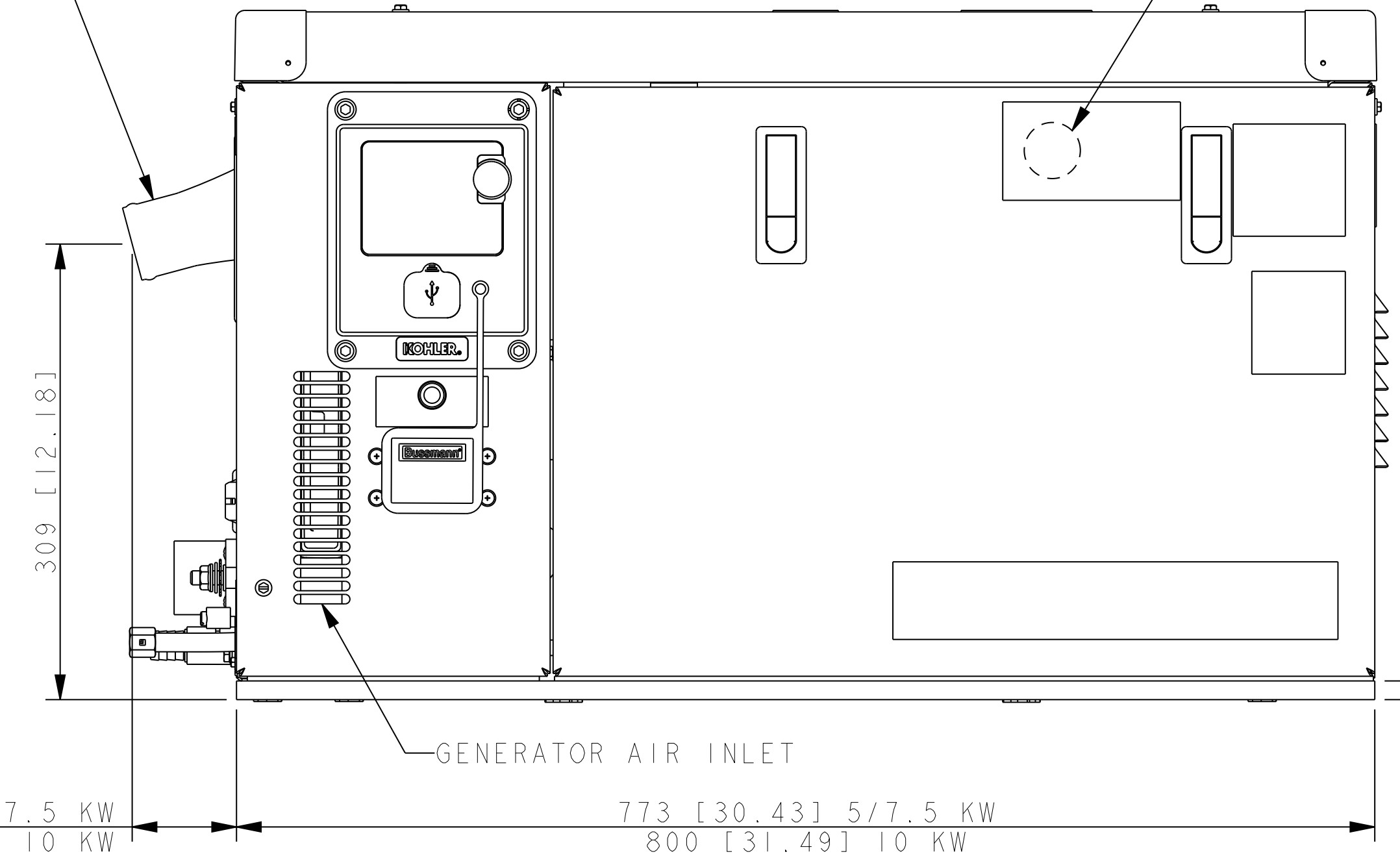
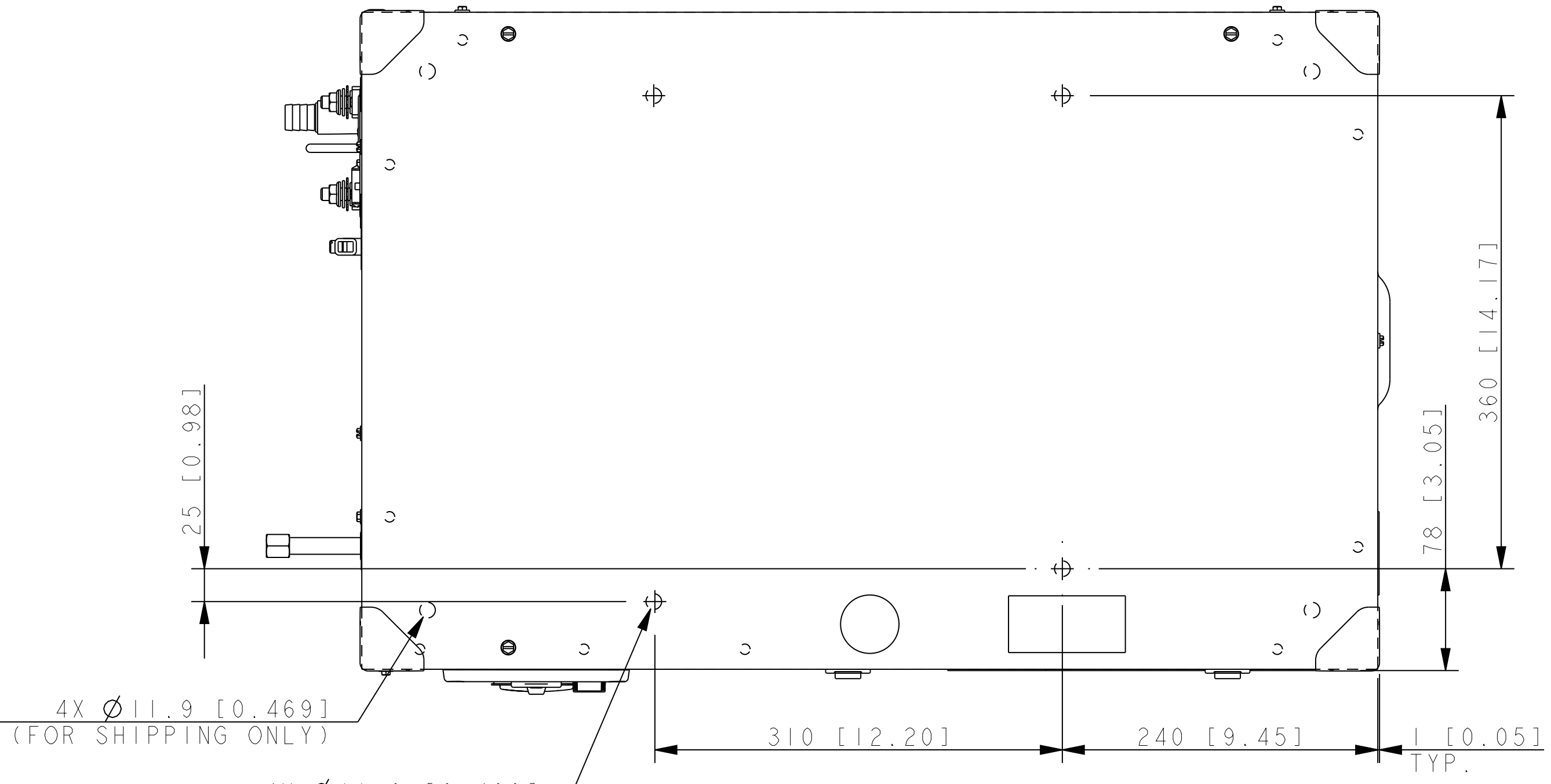
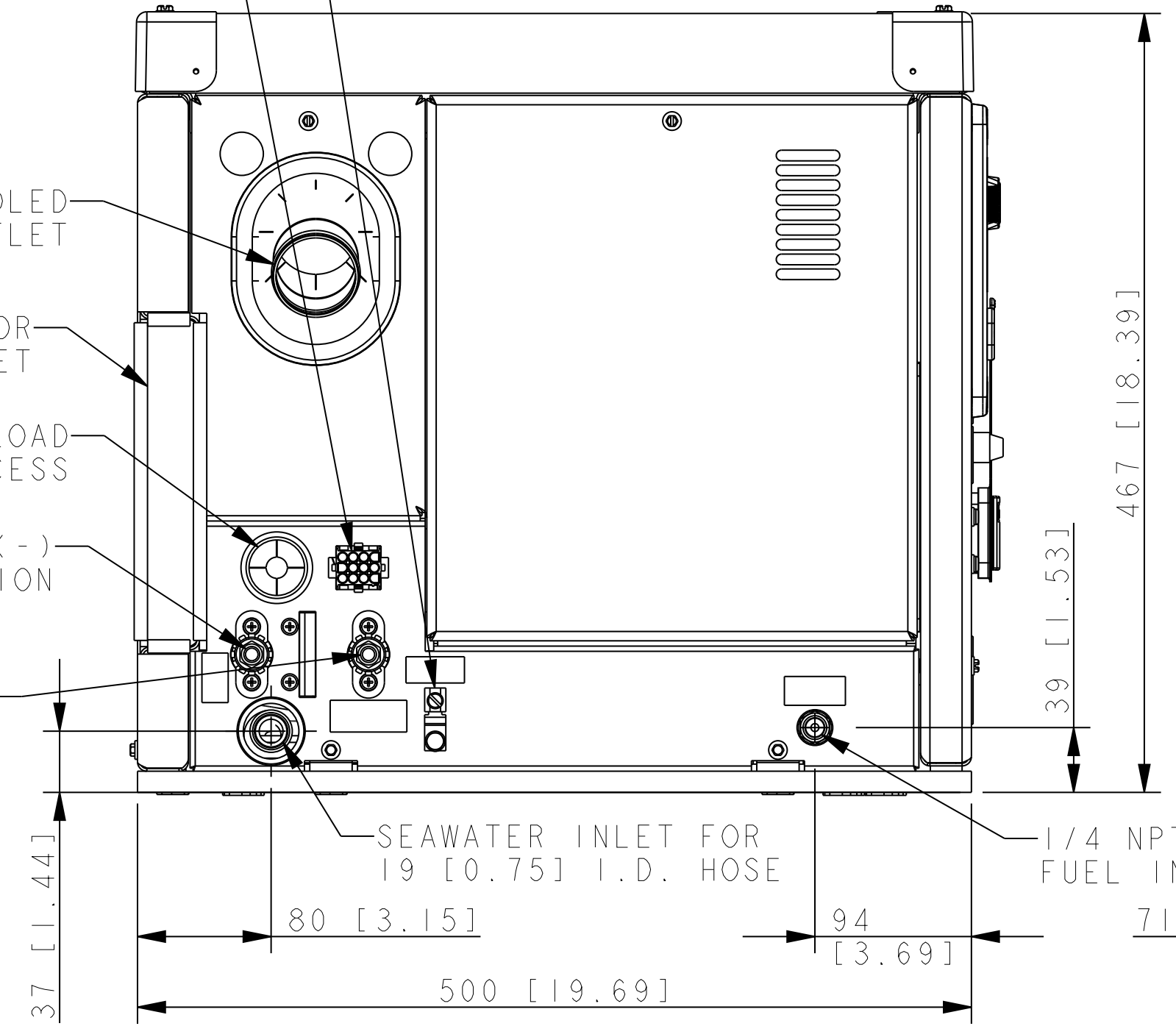
SEAWATER INLET FOR 19 [0.75] I.D. HOSE
1/4 NPT FUEL INLET

4X Ø11.9 [0.469] (FOR SHIPPING ONLY)

4X Ø11.9 [0.469] MOUNTING HOLES

FIRE EXTINGUISHER ACCESS HOLE

1.3 [0.50] THICK MOUNTING BASE



NOTE
DIMENSIONS IN [] ARE
IN INCH EQUIVALENTS.

2P6.5
5/7.5/10 KW MARINE
SOUND SHIELD

REV	DATE	ON COMPOSITE DWGS. SEE PART NO. FOR REVISION LEVEL	BY	UNLESS OTHERWISE SPECIFIED - 1) DIMENSIONS ARE IN MILLIMETERS 2) TOLERANCES ARE:
A	2-15-08	(A-6) SEAWATER INLET FOR 19 [0.75] I.D. HOSE WAS 3/8 NPT INLET & 80 [3.15] WAS 69 [2.70]; (A-5) 94 [3.69] WAS 96 [3.78] & 51 [2.00] WAS 50 [1.96]; (A-7) 37 [1.44] WAS 38 [1.48]; (B-7) POSITIVE & NEGATIVE BATTERY CONNECTIONS RELOCATED; (B-5) 39 [1.53] WAS 51 [2.00] [84580]	DDH	X.XX ± X.X ± ANGLES ±
B	1-14-09	(A-5) 1/4 NPT FUEL INLET WAS FUEL INLET FOR 6 [0.25] I.D. HOSE; (C-2) 1 [0.05] WAS 2 [0.07] [86612]	DDH	THIRD ANGLE PROJECTION
			APPROVALS	SURFACE FINISH MAX.
			DATE	
			DDH	12-6-07
			CHECKED	12-6-07
			DDH	12-6-07
			APPROVED	12-6-07
			DDH	BMZ

KOHLER CO. METRIC PRO-E
POWER SYSTEMS, KOHLER, WI 53044 U.S.A.
THIS DRAWING IN DESIGN AND DETAIL IS KOHLER CO. PROPERTY AND MUST NOT BE USED EXCEPT IN CONNECTION WITH KOHLER CO. WORK. ALL RIGHTS OF DESIGN OR INVENTION ARE RESERVED.

TITLE: **DIMENSION PRINT**

SCALE: 0.30 CAD NO. SHEET 2 of 2
DWG NO.: **ADV-7439**