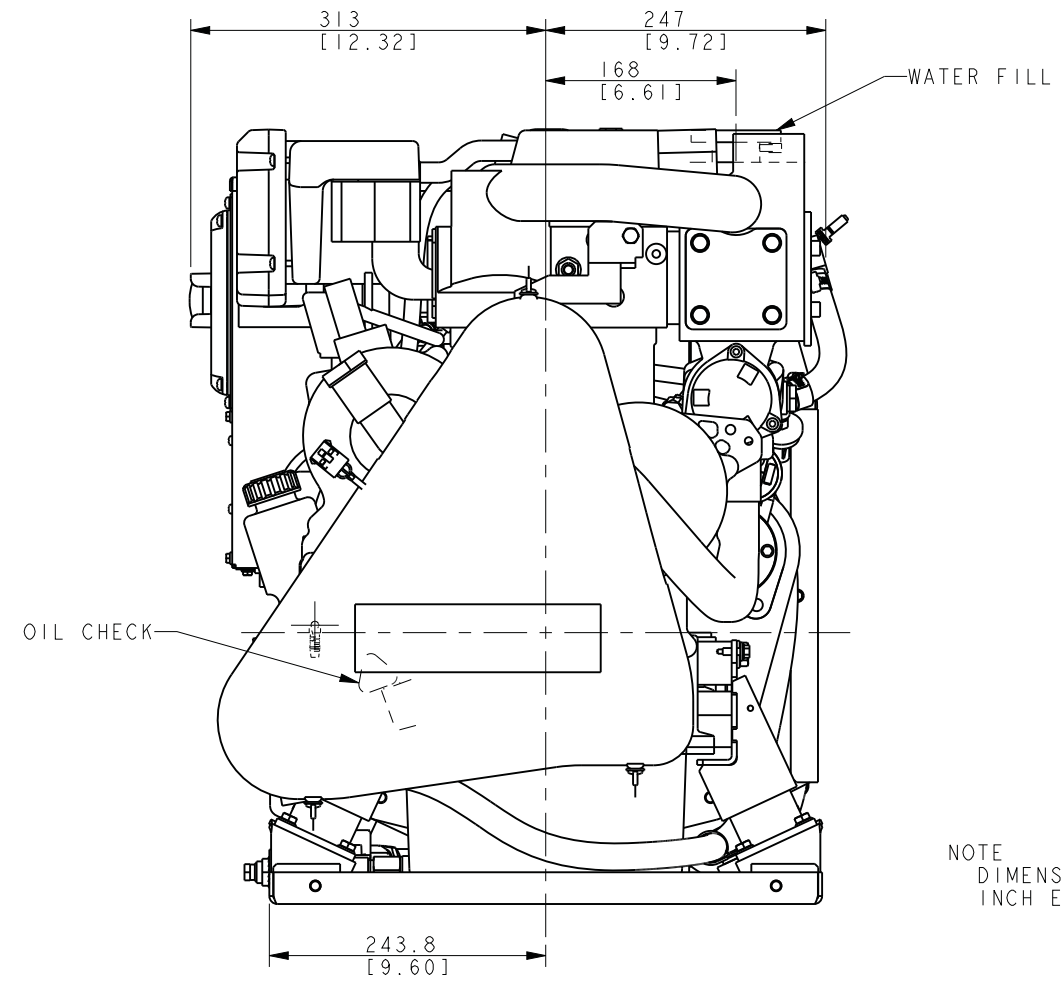
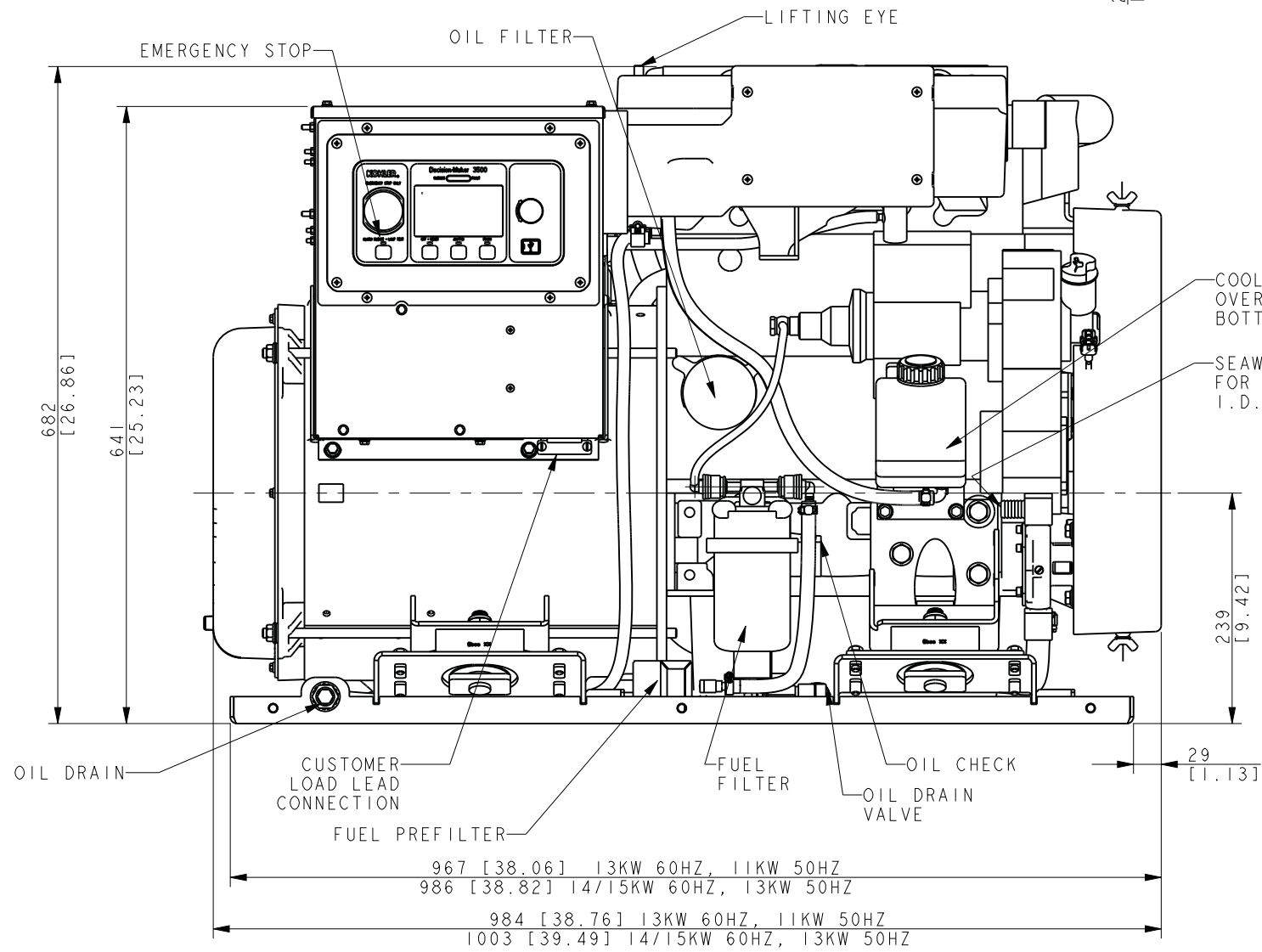
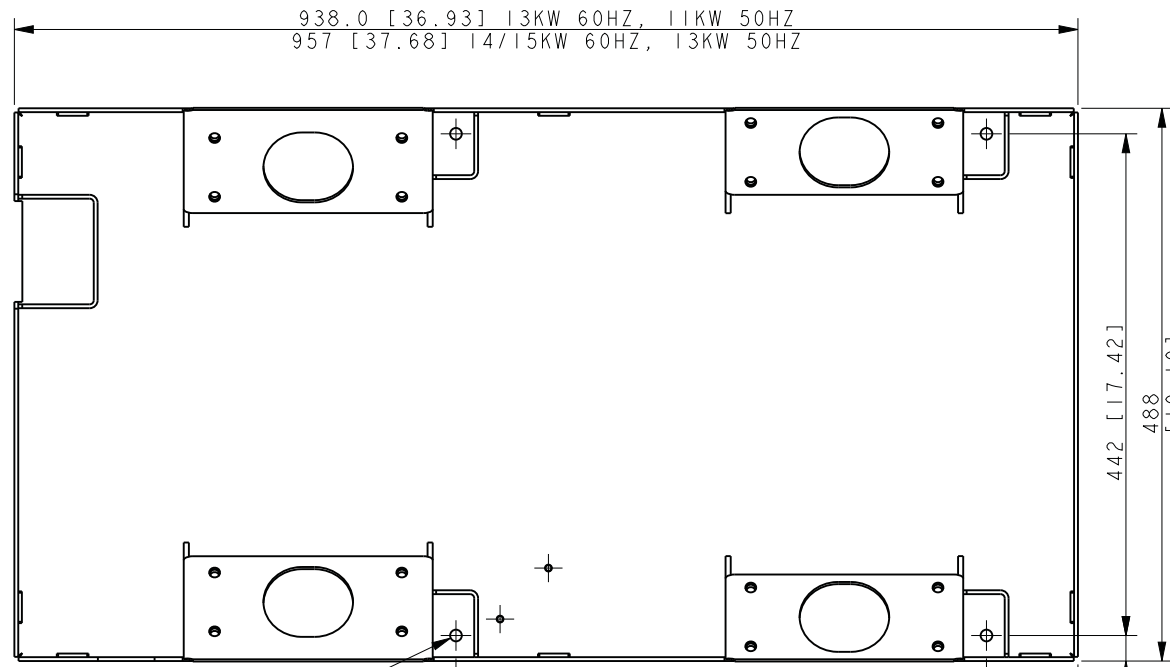


8 7 6 5 4 3 2 1



NOTE  
DIMENSIONS IN [ ] ARE  
INCH EQUIVALENTS.

13-15 KW  
LOMBARDINI MARINE

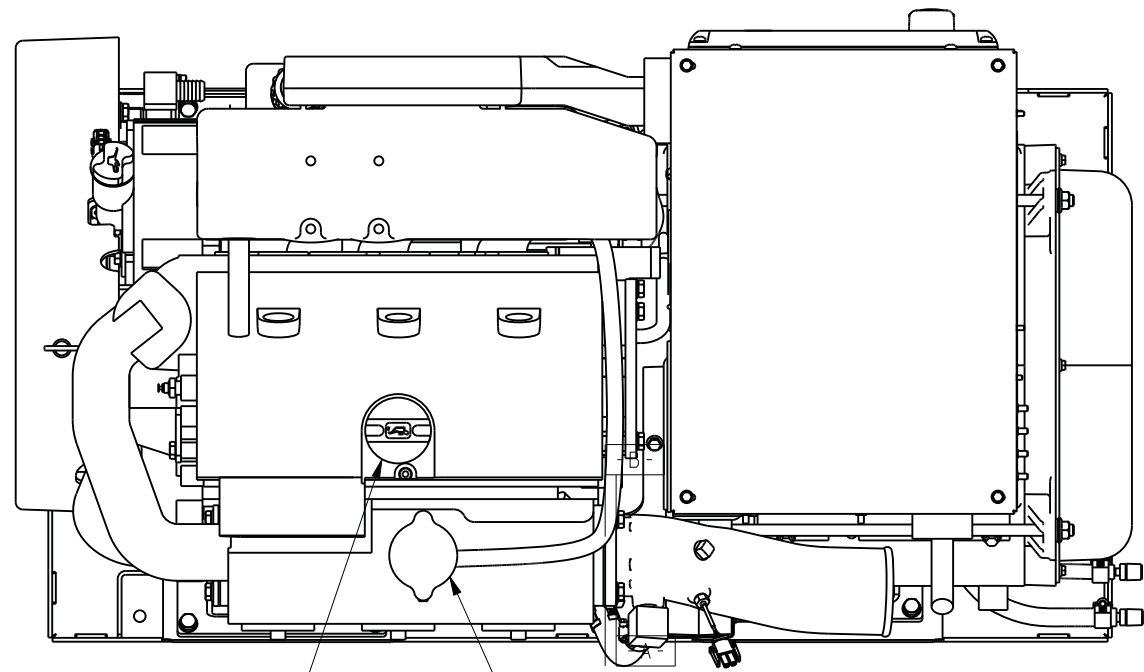
REV	DATE	ON COMPOSITE DWGS. SEE PART NO. FOR REVISION LEVEL	BY	UNLESS OTHERWISE SPECIFIED - 1) DIMENSIONS ARE IN MILLIMETERS 2) TOLERANCES ARE:
-	12.02.13	NEW DRAWING [CT87395]	VPP	X.XX ± 0.25 X.X ± 1.0 X ± 1.5 ANGLES ± 0° 30' MAX.
A	5-20-15	(A-1,4) KOHLER DIESEL WAS LAMBARDINI [CT110915]	SAM	THIRD ANGLE PROJECTION
				APPROVALS DATE
				DRAWN VPP 12.02.13
				CHECKED KDW 12.02.13
				APPROVED JAL 12.02.13

**KOHLER CO.** METRIC PRO-E  
POWER SYSTEMS, KOHLER, WI 53044 U.S.A.  
THIS DRAWING IN DESIGN AND DETAIL IS KOHLER CO. PROPERTY AND MUST NOT BE USED EXCEPT IN CONNECTION WITH KOHLER CO. WORK. ALL RIGHTS OF DESIGN OR INVENTION ARE RESERVED.

**DIMENSION PRINT, 13-15 KW  
KOHLER DIESEL**

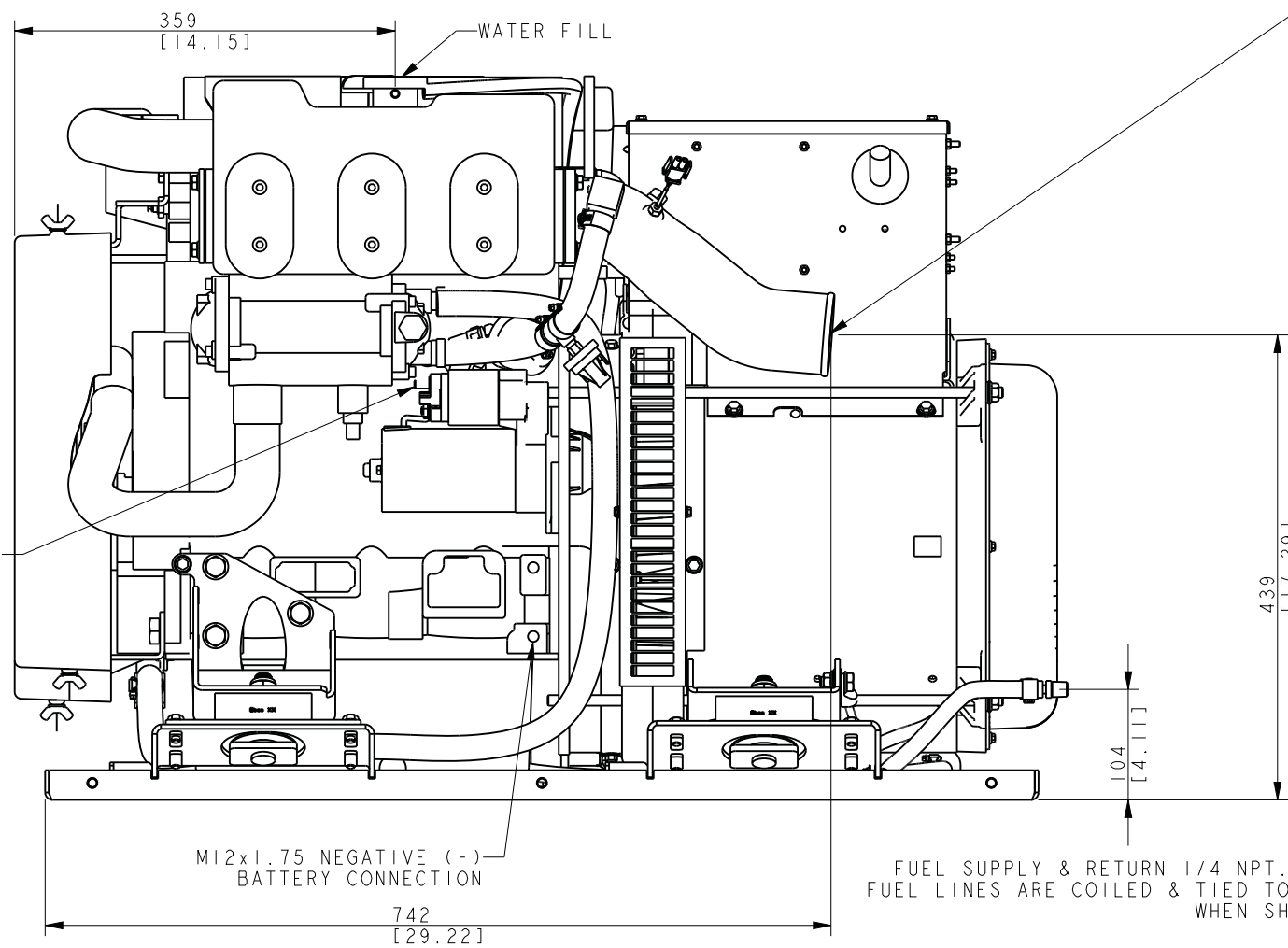
SCALE 0.30 CAD NO. SHEET 1 of 2  
DWG NO. **ADV-8558** D

8 7 6 5 4 3 2 1



OIL FILL

WATER FILL



359  
[14.15]

WATER FILL

M8x1.25 POSITIVE (+)  
BATTERY CONNECTION

M12x1.75 NEGATIVE (-)  
BATTERY CONNECTION

742  
[29.22]

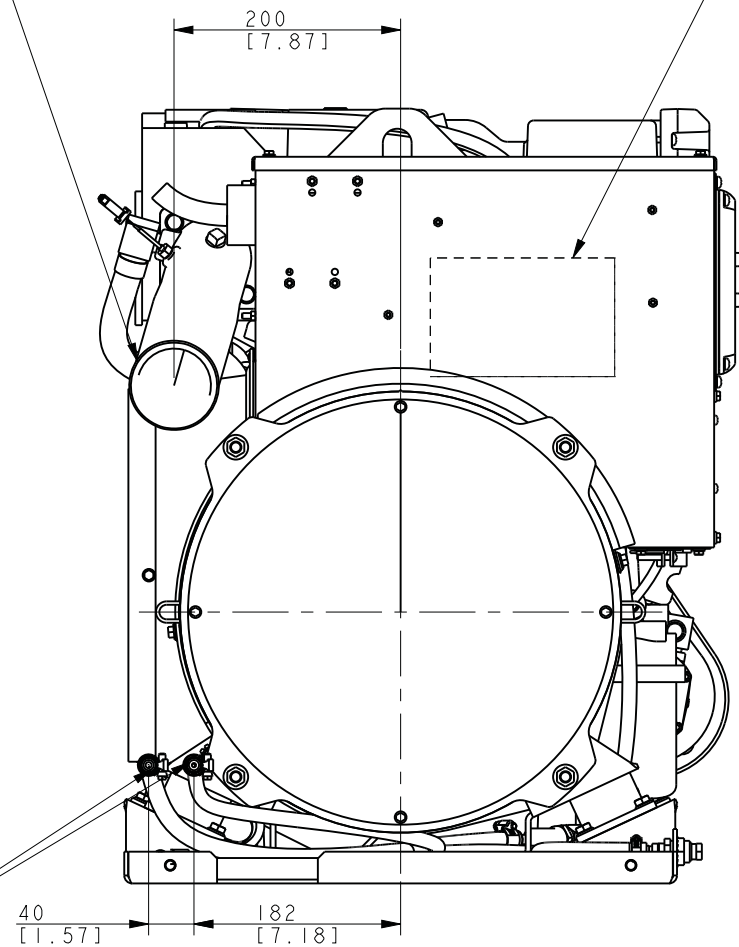
439  
[17.29]

104  
[4.11]

FUEL SUPPLY & RETURN 1/4 NPT. MALE  
FUEL LINES ARE COILED & TIED TO UNIT  
WHEN SHIPPED

WATER COOLED EXHAUST  
OUTLET FOR 76 [3.00]  
I.D. HOSE

OPTIONAL CURCUIT BREAKER LOCATION  
(OPPOSITE SIDE OF JUNCTION BOX)



200  
[7.87]

40  
[1.57]

182  
[7.18]

REV	DATE	ON COMPOSITE DWGS. SEE PART NO. FOR REVISION LEVEL	BY	UNLESS OTHERWISE SPECIFIED - 1) DIMENSIONS ARE IN MILLIMETERS 2) TOLERANCES ARE:
-	12.02.13	NEW DRAWING [CT87395]	VPP	X.XX ± 0.25
A	5-20-15	SEE SHEET 1 [CT110915]	SAM	X.X ± 1.0
				X ± 1.5
				ANGLES ± 0° 30' MAX.
				SURFACE FINISH
				THIRD ANGLE PROJECTION
				APPROVALS
				DATE
				DRAWN VPP 12.02.13
				CHECKED KDW 12.02.13
				APPROVED JAL 12.02.13

**KOHLER CO.** METRIC PRO-E  
POWER SYSTEMS, KOHLER, WI 53044 U.S.A.  
THIS DRAWING IN DESIGN AND DETAIL IS KOHLER CO.  
PROPERTY AND MUST NOT BE USED EXCEPT IN  
CONNECTION WITH KOHLER CO. WORK. ALL RIGHTS OF  
DESIGN OR INVENTION ARE RESERVED.

**DIMENSION PRINT, 13-15 KW  
KOHLER DIESEL**

SCALE 0.30 CAD NO. SHEET 2 of 2  
DWG NO. **ADV-8558** D