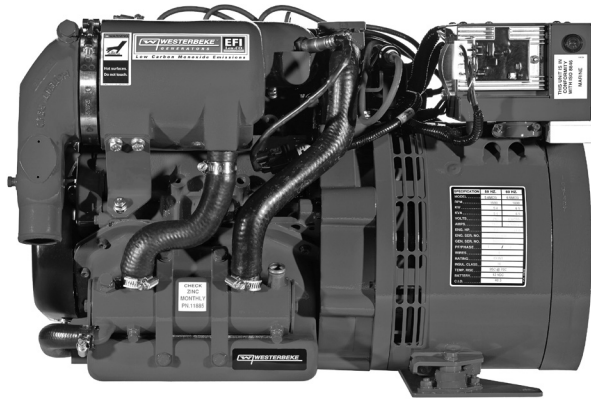
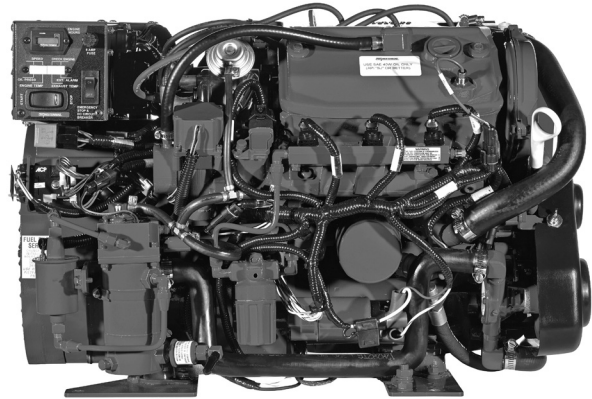


Multiport Electronic Fuel Injection



5.0/4.2 MCG Marine Gasoline Generator



5.0/4.2 MCG Marine Gasoline Generator

Low-CO, Low-Profile, Low-Speed

The 5.0 MCG is one of the most compact low-CO, low-speed gasoline generators on the market. Westerbeke's unique marine design allows for a high performance generator that is comparable in size to high speed competitors. The lower operating speed of the 5.0 MCG combined with a heavy duty industrial base engine contribute to a longer lasting more reliable product.

Multiport EFI and Returnless Fuel System

The 5.0 MCG features sequential multiport electronic fuel injection (MPI). MPI provides optimum fuel efficiency, easy starting, improved reliability and reduced emissions. In conjunction with MPI, electronic speed control maintains the engine at a constant speed (precise frequency regulation) and virtually eliminates "bogging down" when load is applied. A water cooled returnless fuel system aids in the prevention of vapor lock for improved performance in high ambient temperatures. MPI also features advanced diagnostic capabilities.

Smooth and Quiet Operation

Featuring a 3-cylinder engine with a balance shaft that virtually eliminates vibration, the 5.0 MCG is an extremely smooth running 5.0kW. The engine also operates at an electronically controlled 1800 rpm for exceptionally quiet operation. In comparison, 3600 rpm engines are generally noisier than their 1800 rpm counterparts and require sound shields to attain similar noise levels.

Five Year Limited Warranty

The 5.0 MCG is backed by Westerbeke's 5-year limited warranty. The presence of Westerbeke in over 65 countries around the world provides customers with easy access to parts, service and technical support. Established in 1937, Westerbeke is committed to providing its customers with quality products and unequalled after sales support.

Standard Features

- Simple, "one touch" start/stop control panel with running hour meter and LED lights
- Multiport EFI
- Water-cooled returnless fuel system
- Electronic governing
- Safety warnings and shut-downs — overspeed, low oil pressure, high exhaust and coolant temperature and more
- Fresh water cooling and coolant recovery tank
- Field convertible to 50 or 60Hz
- A.C. circuit breaker
- 12 amp battery charger
- 90° water injected exhaust elbow
- Belt-driven raw water pump
- Vibration isolators
- Lube oil drain hose
- Belt guard
- Operators' manual and parts list
- Meets U.S.C.G. regulation 33CFR-183

Generator Design

DESIGN: Brushless, four pole, revolving field.
VOLTAGE REGULATION: Standard +/- 5% no load to full load.
FREQUENCY REGULATION: .5 Hz (1%) no load to full load.
INSULATION: Class "H" as defined by NEMA MG1-1.66.

TEMPERATURE RISE: Within NEMA MG1-22.40 operating at full load.
COOLING: Cast centrifugal blower, direct connected.
ELECTROMAGNETIC INTERFERENCE LEVEL: Exceeds requirements for most marine radio-telephones and standard TV's.

Model	Electrical Characteristics					Ratings		Engine	
	Volts	Amps	Hertz	Phase	Wire	Power Factor	KW	RPM	Start
5.0 MCG-614	120	41.6	60	1	4	1.0	5.0	1800	Remote
4.2 MCG-514	230	18.2	50	1	4	1.0	4.2	1500	Remote

Specifications

Number of cylinders	3 Cylinder, vertical in-line	
Type	4 cycle	
Displacement	40.3 cu. in. (.66 liter)	
Bore and stroke	2.56" x 2.61" (65.0mm x 66.3mm)	
Compression ratio	9.8:1	
Rated RPM	1800@60Hz/1500@50Hz	
HP @ 1800/1500 rpm	8.3/7.0	
Maximum angle of operation	Not to exceed 25° in all directions	
Exhaust elbow conn.	2.0" OD (50.8mm)	
Raw water conn.	.75" OD (19.1mm)	
Dry weight	334 lbs (151.5 kg)	
Combustion system	Semi-spherical type	
Aspiration	Naturally aspirated	
Lubrication system	Forced pump	
Cooling system	3.5 quarts (3.3 liter)	
Full consumption (approx.)	1800 rpm	1500 rpm
100% load GPH (LPH)	.74 (2.79)	.63 (2.37)
75% load GPH (LPH)	.59 (2.22)	.50 (1.91)
50% load GPH (LPH)	.46 (1.74)	.39 (1.47)
25% load GPH (LPH)	.36 (1.35)	.28 (1.06)
Governor	Electronic	
Lube oil filter	Full flow, spin on element	

Lubricant capacity	3.0 quarts (2.8 liters)
Fuel transfer pump	Electric type
Fuel supply	.25" ID (6.35mm)
Starting motor	12 volt, 1.4kW
Battery charging	12 amps, integral electric type
Cranking amps	105 amps @ 70 degrees F
Electrical system	12 volts DC, negative ground

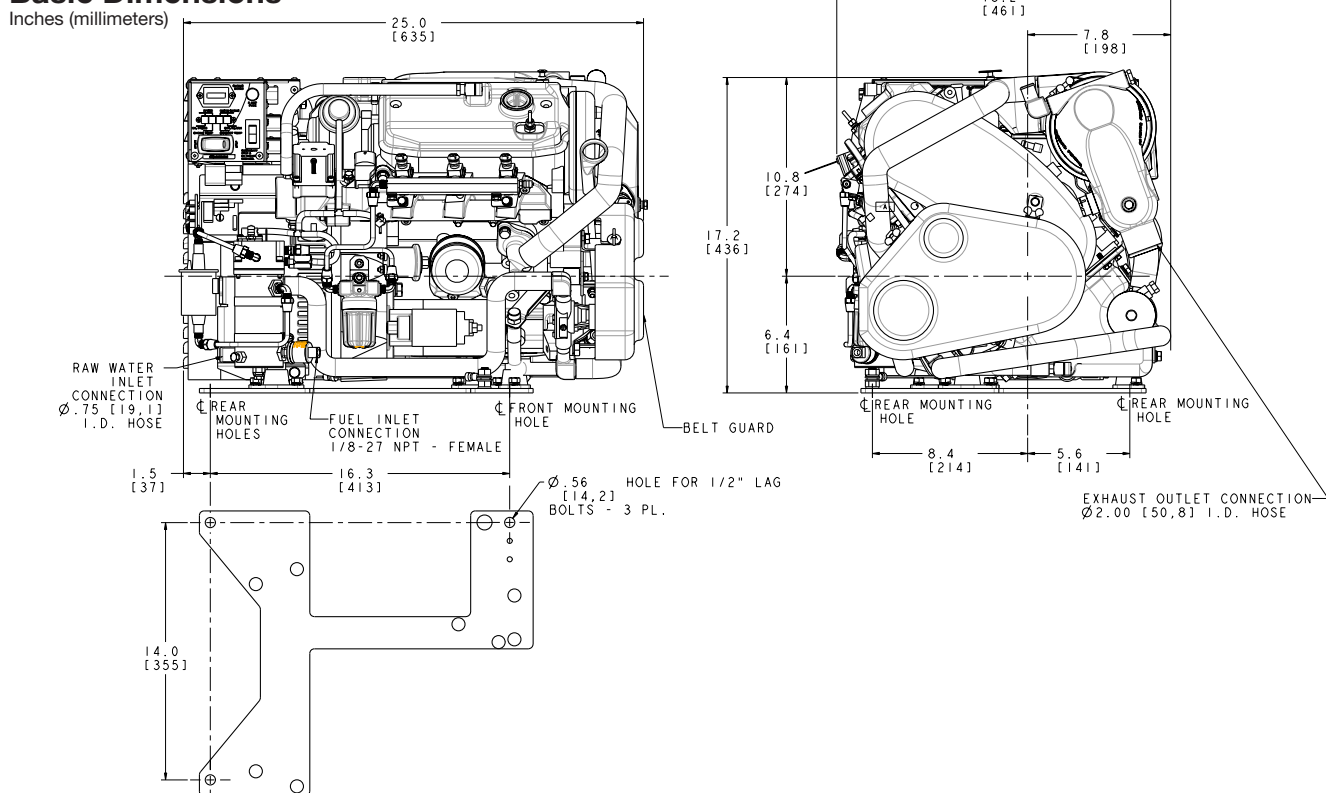
Construction-Engine Components

Cylinder head	Aluminum
Cylinder block	Cast iron
Crankshaft	Forged crankshaft, four main bearings
Valves	Overhead, rotating type
Fuel system	Multiport EFI
Cooling system	Fresh water-cooled with heat exchanger
Exhaust manifold	Cast aluminum, fresh water-cooled

Optional Equipment

- Remote start-stop controls
- Remote lube oil filter
- "A" on-board spare parts kit; "B" extended cruising spare parts kit
- Hydro-hush muffler and fittings
- Anti-siphon valve with 3/4 inch stainless loop
- Ship-shore switch; Auxiliary DC power adapter

Basic Dimensions



Drawings are for reference only and should not be used for installation. Detailed installation drawings are available upon request.