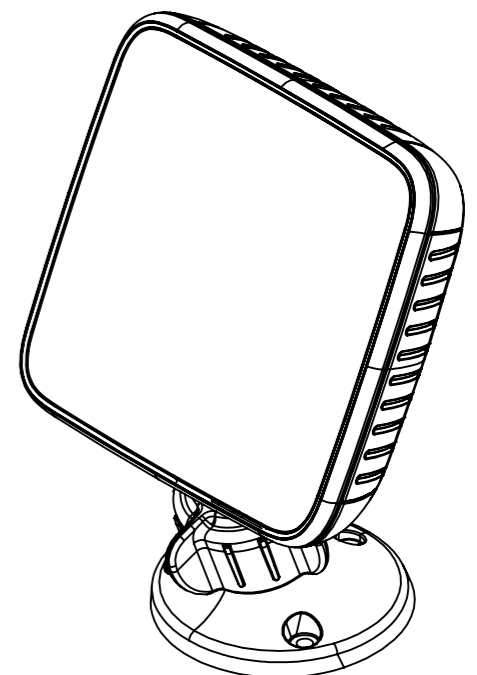
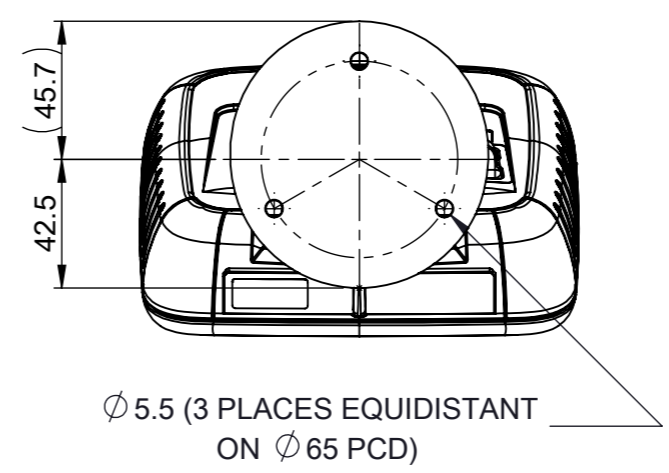
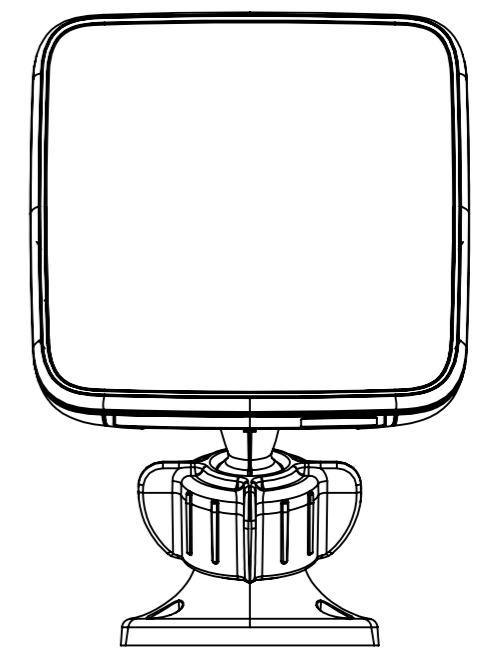
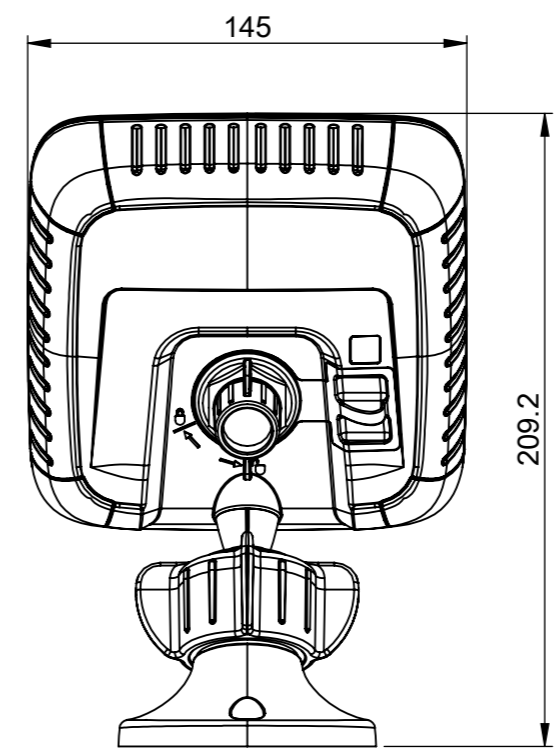


R75 MINIMUM BEND RADIUS (CABLE CLEARANCE REQUIRED THROUGH 360° OF ROTATION)

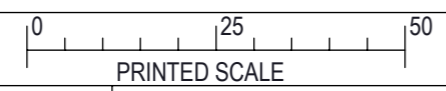


- NOTES:
- 1) FOR INFORMATION ON CONNECTIONS AND PRODUCT SPECIFICATIONS, PLEASE REFER TO HANDBOOK, PRODUCT SUPPORT AND WORKSHOP MANUALS.
 - 2) FOR ANY DIMENSIONAL INFORMATION NOT INCLUDED PLEASE CONTACT YOUR SALES REPRESENTATIVE.
 - 3) DIMENSIONS SHOWN ARE ACTUAL PRODUCT SIZE AND DO NOT INCLUDE ANY CLEARANCE DATA.

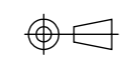


THE INFORMATION CONTAINED HEREIN SHALL NOT BE REPRODUCED WITHOUT THE PRIOR WRITTEN PERMISSION OF RAYMARINE LTD

© 2011 RAYMARINE LTD



DRAWN TO BS308



DO NOT SCALE - IF IN DOUBT ASK

DRN:	RM / PDT	DATE: 29/09/14
DIMENSIONS IN MM		SCALE: 1:3

TITLE	Wi-Fish Bracket Mount
DRAWING No.	D_Wi-Fish_BM