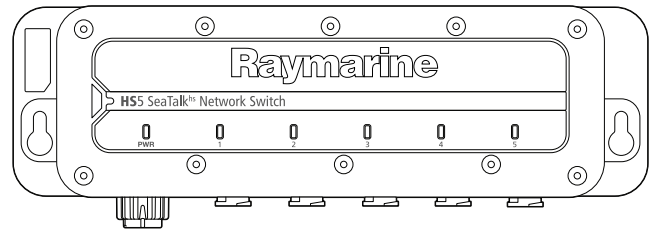


HS5



Installation instructions

English

Date: 08-2012

Document number: 87146-2-EN

© 2012 Raymarine UK Limited

Trademark and patents notice

Autohelm, hsb², RayTech Navigator, Sail Pilot, SeaTalk, SeaTalk^{NG}, SeaTalk^{HS} and Sportpilot are registered trademarks of Raymarine UK Limited. RayTalk, Seahawk, Smartpilot, Pathfinder and Raymarine are registered trademarks of Raymarine Holdings Limited.

FLIR is a registered trademark of FLIR Systems, Inc. and/or its subsidiaries.

All other trademarks, trade names, or company names referenced herein are used for identification only and are the property of their respective owners.

This product is protected by patents, design patents, patents pending, or design patents pending.

Fair Use Statement

You may print no more than three copies of this manual for your own use. You may not make any further copies or distribute or use the manual in any other way including without limitation exploiting the manual commercially or giving or selling copies to third parties.

Product handbooks

<p>The latest versions of all English and translated handbooks are available to download in PDF format from the website www.raymarine.com. Please check the website to ensure you have the latest handbooks.</p>

Copyright ©2012 Raymarine UK Ltd. All rights reserved.

Contents

Chapter 1 Introduction	7
Handbook information	7
Product overview	7
Safety notices	7
Important information	7
Chapter 2 Planning the installation	9
2.1 Installation checklist	10
2.2 Parts supplied	10
2.3 SeaTalk ^{hs}	11
2.4 Typical systems	11
2.5 Multiple switches	12
Chapter 3 Cables and connections.....	13
3.1 General cabling guidance	14
3.2 Connections overview	14
3.3 Network hardware	15
3.4 RayNet connector network cables	15
3.5 Network cable connector types	16
3.6 Equipment connection	16
3.7 Power connection	17
Chapter 4 Installation	19
4.1 Location requirements	20
4.2 Mounting the unit	20
Chapter 5 Troubleshooting and support.....	21
5.1 LED locations	22
5.2 LED indications	23
5.3 Network switch troubleshooting	24
5.4 Raymarine customer support	25
Appendix A Technical specification	27

Chapter 1: Introduction

Handbook information

This handbook describes how to install the Raymarine HS5 network switch as part of a marine electronics installation.

This handbook includes information to help you:

- plan your installation;
- install and connect the product as a part of your system of Raymarine electronics;
- conduct checks to ensure that the product has been installed correctly;
- obtain support if required.

This and other Raymarine product documentation is available to download in PDF format from www.raymarine.com.

Product overview

A Raymarine network switch enables you to connect multiple SeaTalk^hs devices to a Raymarine multifunction display.

Raymarine networks typically consist of at least 2 of the following SeaTalk^hs devices:

- Radar scanner.
- Digital Sounder Module (DSM).
- Thermal camera.
- Additional multifunction display.

Safety notices



Warning: Product installation and operation

This product must be installed and operated in accordance with the instructions provided. Failure to do so could result in personal injury, damage to your vessel and/or poor product performance.



Warning: Switch off power supply

Ensure the vessel's power supply is switched OFF before starting to install this product. Do NOT connect or disconnect equipment with the power switched on, unless instructed in this document.



Warning: Potential ignition source

This product is NOT approved for use in hazardous/flammable atmospheres. Do NOT install in a hazardous/flammable atmosphere (such as in an engine room or near fuel tanks).



Warning: Product grounding

Before applying power to this product, ensure it has been correctly grounded, in accordance with the instructions in this guide.

Important information

Caution: Power supply protection

When installing this product ensure the power source is adequately protected by means of a suitably-rated fuse or automatic circuit breaker.

Caution: Service and maintenance

This product contains no user serviceable components. Please refer all maintenance and repair to authorized Raymarine dealers. Unauthorized repair may affect your warranty.

Water ingress

Water ingress disclaimer

Although the waterproof rating capacity of this product meets the IPX6 standard, water intrusion and subsequent equipment failure may occur if the product is subjected to commercial high-pressure washing. Raymarine will not warrant products subjected to high-pressure washing.

IMO and SOLAS

The equipment described within this document is intended for use on leisure marine boats and workboats not covered by International Maritime Organization (IMO) and Safety of Life at Sea (SOLAS) Carriage Regulations.

Product disposal

Dispose of this product in accordance with the WEEE Directive.



The Waste Electrical and Electronic Equipment (WEEE) Directive requires the recycling of waste electrical and electronic equipment. Whilst the WEEE Directive does not apply to some Raymarine products, we support its policy and ask you to be aware of how to dispose of this product.

Technical accuracy

To the best of our knowledge, the information in this document was correct at the time it was produced. However, Raymarine cannot accept liability for any inaccuracies or omissions it may contain. In addition, our policy of continuous product improvement may change specifications without notice. As a result, Raymarine cannot accept liability for any differences between the product and this document. Please check the Raymarine website (www.raymarine.com) to ensure you have the most up-to-date version(s) of the documentation for your product.

EMC installation guidelines

Raymarine equipment and accessories conform to the appropriate Electromagnetic Compatibility (EMC) regulations, to minimize electromagnetic interference between equipment and minimize the effect such interference could have on the performance of your system

Correct installation is required to ensure that EMC performance is not compromised.

For **optimum** EMC performance we recommend that wherever possible:

- Raymarine equipment and cables connected to it are:
 - At least 1 m (3 ft) from any equipment transmitting or cables carrying radio signals e.g. VHF radios, cables and antennas. In the case of SSB radios, the distance should be increased to 7 ft (2 m).
 - More than 2 m (7 ft) from the path of a radar beam. A radar beam can normally be assumed to spread 20 degrees above and below the radiating element.
- The product is supplied from a separate battery from that used for engine start. This is important to prevent erratic behavior and data loss which can occur if the engine start does not have a separate battery.
- Raymarine specified cables are used.
- Cables are not cut or extended, unless doing so is detailed in the installation manual.

Note: Where constraints on the installation prevent any of the above recommendations, always ensure the maximum possible separation between different items of electrical equipment, to provide the best conditions for EMC performance throughout the installation

Suppression ferrites

Raymarine cables may be fitted with suppression ferrites. These are important for correct EMC performance. If a ferrite has to be removed for any purpose (e.g. installation or maintenance), it must be replaced in the original position before the product is used.

Use only ferrites of the correct type, supplied by Raymarine authorized dealers.

Connections to other equipment

Requirement for ferrites on non-Raymarine cables

If your Raymarine equipment is to be connected to other equipment using a cable not supplied by Raymarine, a suppression ferrite **MUST** always be attached to the cable near the Raymarine unit.

Declaration of conformity

Raymarine UK Ltd. declares that this product is compliant with the essential requirements of EMC directive 2004/108/EC.

The original Declaration of Conformity certificate may be viewed on the relevant product page at www.raymarine.com.

Warranty registration

To register your Raymarine product ownership, please visit www.raymarine.com and register online.

It is important that you register your product to receive full warranty benefits. Your unit package includes a bar code label indicating the serial number of the unit. You will need this serial number when registering your product online. You should retain the label for future reference.

Chapter 2: Planning the installation

Chapter contents

- [2.1 Installation checklist on page 10](#)
- [2.2 Parts supplied on page 10](#)
- [2.3 SeaTalk^{hs} on page 11](#)
- [2.4 Typical systems on page 11](#)
- [2.5 Multiple switches on page 12](#)

2.1 Installation checklist

Installation includes the following activities:

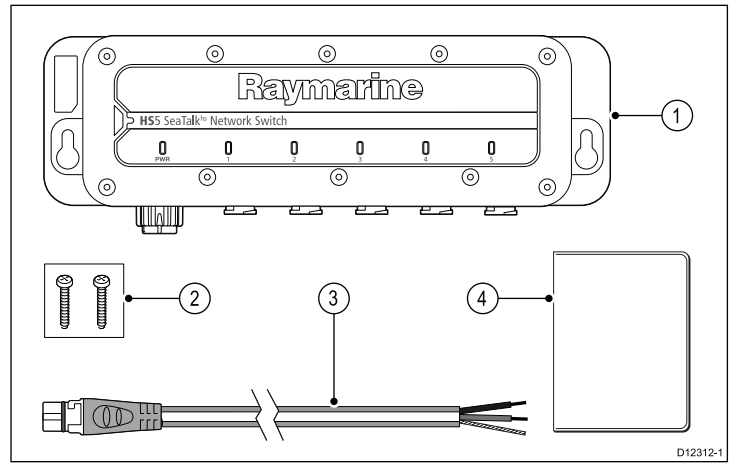
Installation Task	
1	Plan your system.
2	Obtain all required equipment and tools.
3	Site all equipment.
4	Route all cables.
5	Drill cable and mounting holes.
6	Make all connections into equipment.
7	Secure all equipment in place.
8	Power on and test the system.

Schematic diagram

A schematic diagram is an essential part of planning any installation. It is also useful for any future additions or maintenance of the system. The diagram should include:

- Location of all components.
- Connectors, cable types, routes and lengths.

2.2 Parts supplied



1. Network switch.
2. Fixing screws.
3. Power cable (red and black).
4. Documentation pack, consisting of:
 - Installation instructions.
 - Mounting template.
 - Warranty policy.

2.3 SeaTalk^{hs}

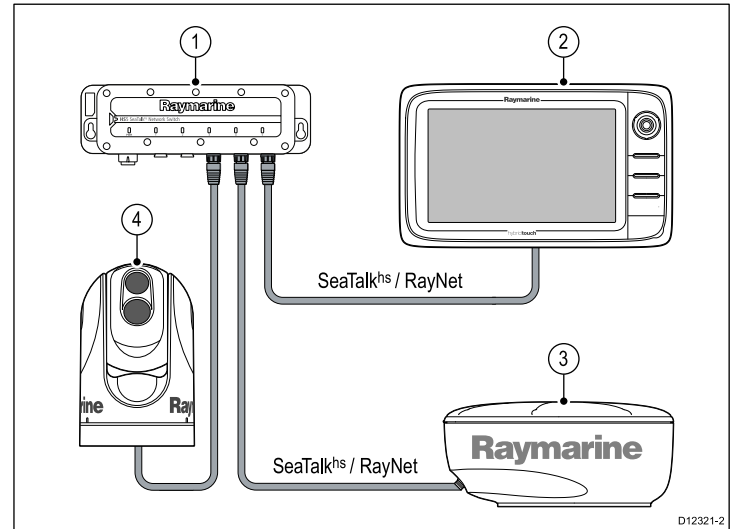
SeaTalk^{hs} is an ethernet based marine network. This high speed protocol allows compatible equipment to communicate rapidly and share large amounts of data.

Information shared using the SeaTalk^{hs} network includes:

- Shared cartography (between compatible displays).
- Digital radar data.
- Sonar data.

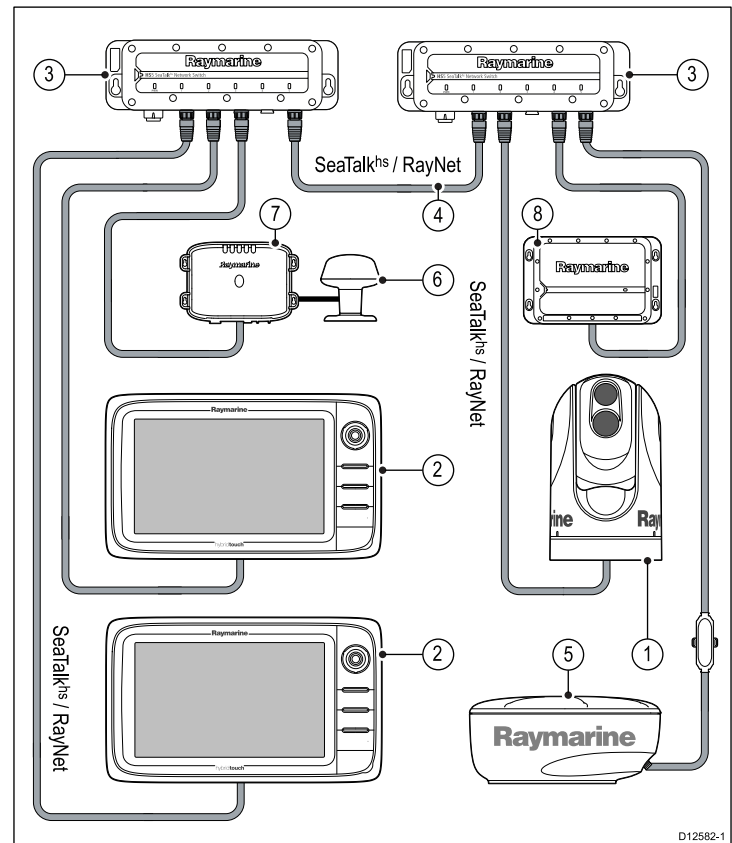
2.4 Typical systems

Example: Basic system



1. Network switch.
2. Multifunction display.
3. Radar scanner.
4. Thermal camera.

Example: Expanded system



1. Thermal camera.
2. Multifunction display.
3. Network switch.
4. Connection between 2 network switches (Port 5 must be used for 1000 Mbit/S operation).
5. Radar scanner.
6. Antenna for Sirius weather receiver.
7. Sirius weather receiver.
8. Digital Sounder Module (DSM).

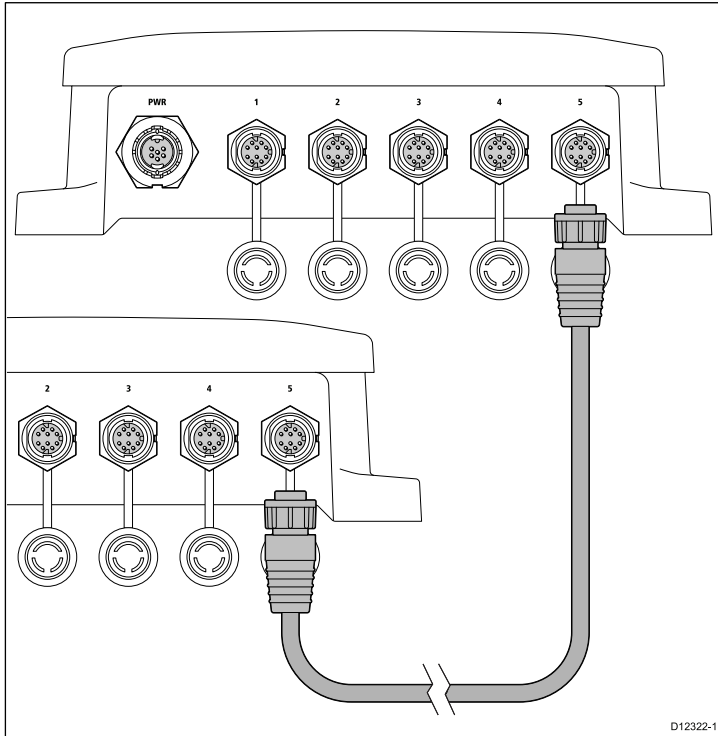
2.5 Multiple switches

Systems with more than 5 SeaTalk^{hs} devices require more than one network switch. Network switches can be connected together (“daisy-chaining”) for this purpose.

The network switch provides a dedicated high-speed (1000 Mbit/S) port for connecting switches together while still retaining full data bandwidth throughout the system. However, each switch only has one high-speed port (port 5), so you can only connect up to 2 switches using the high-speed (1000 Mbit/S) connection. Any additional network switches must be connected together using a standard speed (100 Mbit/S) port (ports 1 to 4).

You should take this factor into account when planning your system. The maximum number of SeaTalk^{hs} devices that can be connected in any single system is 25.

The following diagram illustrates 2 network switches connected together using the high-speed (1000 Mbit/S) connection (port 5):



Chapter 3: Cables and connections

Chapter contents

- [3.1 General cabling guidance on page 14](#)
- [3.2 Connections overview on page 14](#)
- [3.3 Network hardware on page 15](#)
- [3.4 RayNet connector network cables on page 15](#)
- [3.5 Network cable connector types on page 16](#)
- [3.6 Equipment connection on page 16](#)
- [3.7 Power connection on page 17](#)

3.1 General cabling guidance

Cable types and length

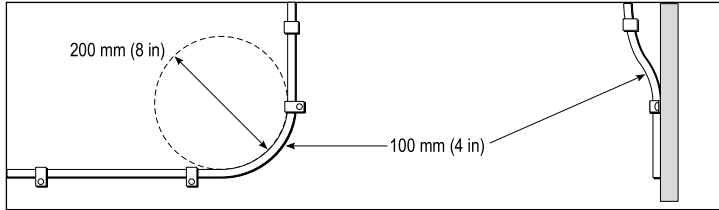
It is important to use cables of the appropriate type and length

- Unless otherwise stated use only standard cables of the correct type, supplied by Raymarine.
- Ensure that any non-Raymarine cables are of the correct quality and gauge. For example, longer power cable runs may require larger wire gauges to minimize voltage drop along the run.

Routing cables

Cables must be routed correctly, to maximize performance and prolong cable life.

- Do NOT bend cables excessively. Wherever possible, ensure a minimum bend diameter of 200 mm (8 in) / minimum bend radius of 100 mm (4 in).



- Protect all cables from physical damage and exposure to heat. Use trunking or conduit where possible. Do NOT run cables through bilges or doorways, or close to moving or hot objects.
- Secure cables in place using tie-wraps or lacing twine. Coil any extra cable and tie it out of the way.
- Where a cable passes through an exposed bulkhead or deckhead, use a suitable watertight feed-through.
- Do NOT run cables near to engines or fluorescent lights.

Always route data cables as far away as possible from:

- other equipment and cables,
- high current carrying ac and dc power lines,
- antennae.

Strain relief

Ensure adequate strain relief is provided. Protect connectors from strain and ensure they will not pull out under extreme sea conditions.

Circuit isolation

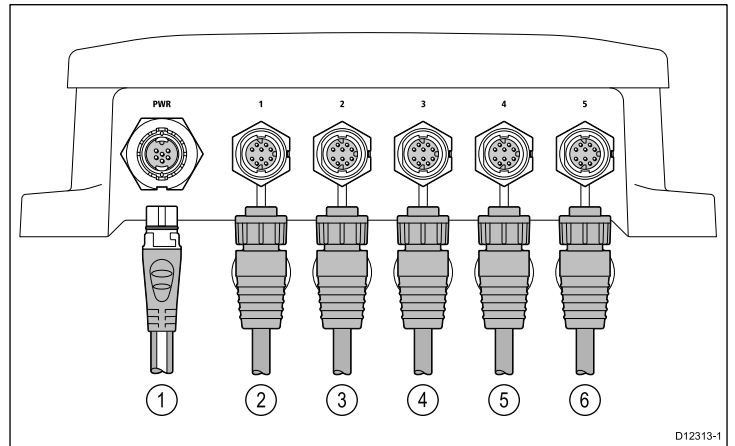
Appropriate circuit isolation is required for installations using both AC and DC current:

- Always use isolating transformers or a separate power-inverter to run PC's, processors, displays and other sensitive electronic instruments or devices.
- Always use an isolating transformer with Weather FAX audio cables.
- Always use an isolated power supply when using a 3rd party audio amplifier.
- Always use an RS232/NMEA converter with optical isolation on the signal lines.
- Always make sure that PC's or other sensitive electronic devices have a dedicated power circuit.

Cable shielding

Ensure that all data cables are properly shielded that the cable shielding is intact (e.g. hasn't been scraped off by being squeezed through a tight area).

3.2 Connections overview



1. Power (12 V / 24 V).
2. Port 1 (10 or 100 Mbit/S).
3. Port 2 (10 or 100 Mbit/S).
4. Port 3 (10 or 100 Mbit/S).
5. Port 4 (10 or 100 Mbit/S).
6. Port 5 (10, 100, or 1000 Mbit/S).

Note: The protective caps should be fitted to any unused ports.

3.3 Network hardware

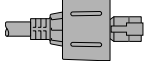

Item	Part number	Notes
HS5 SeaTalk ^{hs} network switch	A80007	5-port switch for network connection of multiple SeaTalk ^{hs} devices featuring RayNet connectors. Equipment with SeaTalk ^{hs} connectors can also be connected via suitable adaptor cables.
SeaTalk ^{hs} network switch	E55058	8-port switch for network connection of multiple SeaTalk ^{hs} devices.
SeaTalk ^{hs} crossover coupler	E55060	Enables direct connection of SeaTalk ^{hs} devices to smaller systems where a switch is not required. Also enables the connection of SeaTalk ^{hs} devices to an HS5 SeaTalk ^{hs} network switch (in conjunction with a RayNet to RJ45 cable).

3.4 RayNet connector network cables

Cable	Part number
1 m (3.28 ft) RayNet to SeaTalk ^{hs} (RJ45) cable	A62360
2 m (6.56 ft) RayNet to RayNet cable	A62361
5 m (16.4 ft) RayNet to RayNet cable	A80005
10 m (32.8 ft) RayNet to RayNet cable	A62362
20 m (65.6 ft) RayNet to RayNet cable	A80006
RayNet cable puller 5 pack	R70014

3.5 Network cable connector types

There are 2 types of network cable connector — SeaTalk^{hs} and RayNet.

	SeaTalk ^{hs} connector.
	RayNet connector.

3.6 Equipment connection

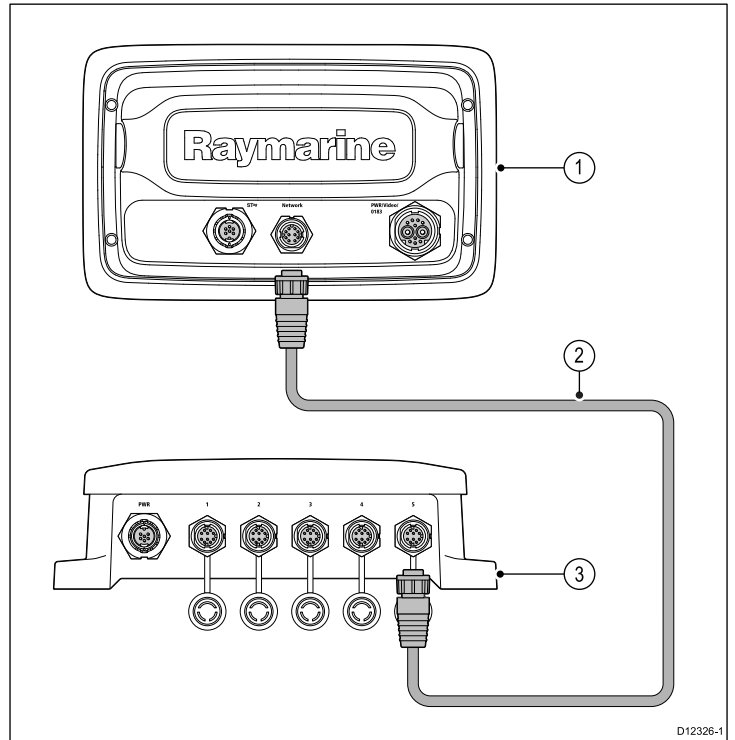
SeaTalk^{hs} equipment is connected to the switch using RayNet cables or a combination of SeaTalk^{hs} cable, SeaTalk^{hs} crossover coupler, and RayNet to RJ45 cable.

There are 2 typical scenarios when connecting SeaTalk^{hs} equipment to the network switch:

Scenario	Existing cabling	Required cabling for new network switch
1. Existing or new installation with Raymarine equipment that has a RayNet connector.	RayNet or none.	<ul style="list-style-type: none"> RayNet to RayNet cable.
2. Existing installation with Raymarine equipment that has a SeaTalk ^{hs} connector.	SeaTalk ^{hs} cables.	<ul style="list-style-type: none"> Existing SeaTalk^{hs} cables. SeaTalk^{hs} crossover coupler. RayNet to RJ45 cable.

These scenarios are illustrated below:

Connection scenario 1 — equipment with RayNet connector

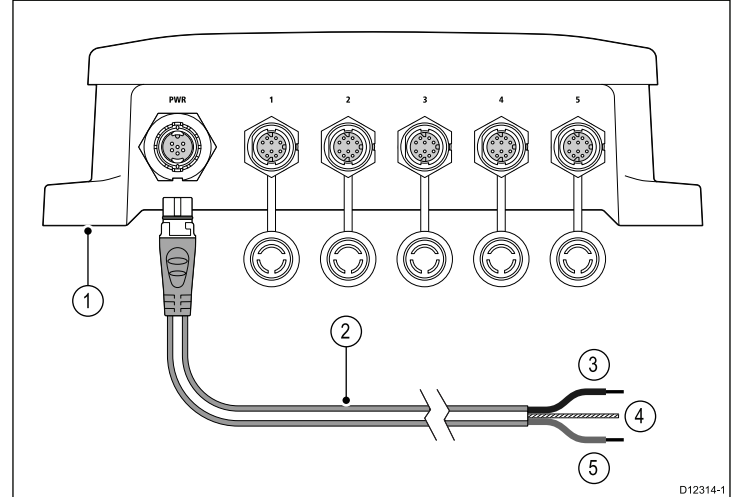
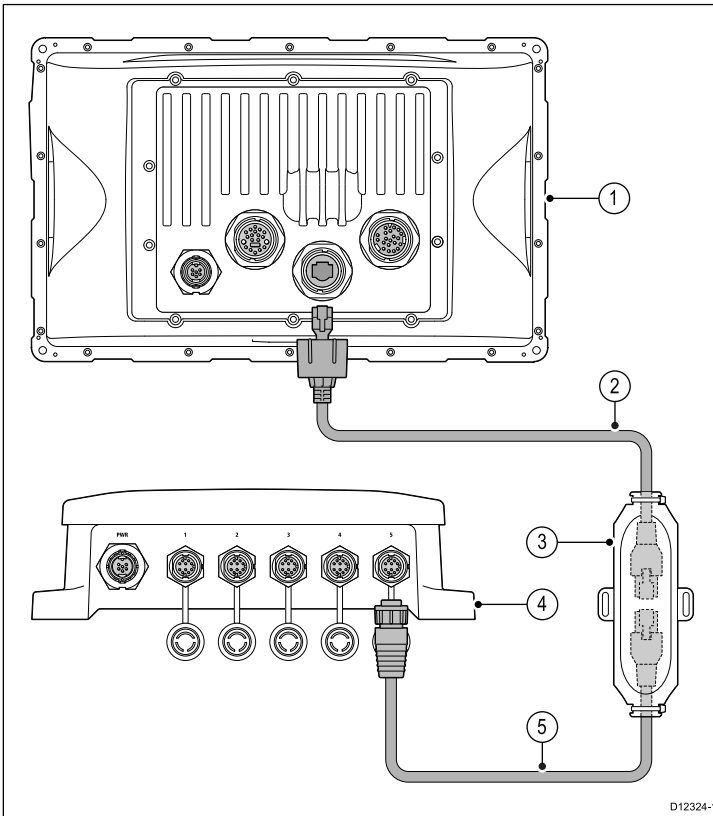


1. SeaTalk^{hs} equipment with RayNet connector.
2. RayNet to RayNet cable.
3. Network switch.

3.7 Power connection

The power for the network switch is provided directly by a 12 V or 24 V power source.

The network switch is supplied with a power cable with bare stripped wires, suitable for direct connection to a 12 V or 24 V power supply:



1. SeaTalk^{hs} equipment — for example, E-Series Widescreen display.
2. SeaTalk^{hs} cable.
3. SeaTalk^{hs} crossover coupler.
4. Network switch.
5. RayNet to RJ45 cable.

1. Network switch.
2. Power cable, red and black (supplied).
3. Red cable (positive).
4. Screen wire.
5. Black cable (negative).

Warning: Do NOT power this product from a SeaTalk^{ng} backbone

To avoid possible damage to equipment, do NOT use a SeaTalk^{ng} backbone as the power source for this product.

Warning: Do NOT connect a SeaTalk^{ng} backbone to a 24 V power supply.

To avoid possible damage to equipment, do NOT use the supplied power cable to connect a SeaTalk^{ng} backbone to a 24 V power supply.

Chapter 4: Installation

Chapter contents

- [4.1 Location requirements on page 20](#)
- [4.2 Mounting the unit on page 20](#)

4.1 Location requirements

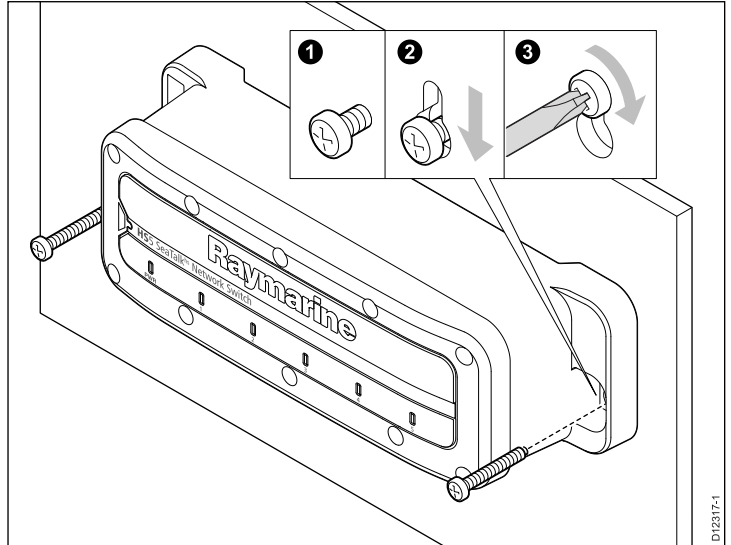
When selecting a location for the unit it is important to consider a number of factors.

- Do NOT install near sources of heat or vibration (for example, an engine).
- Install below decks in a dry area.
- Must be mounted on a vertical surface. Sides and top must be level.

4.2 Mounting the unit

Before mounting the unit, ensure that you have:

- Selected a suitable location with cable clearance below the unit.
- Identified the cable connections and routing.



1. Fix the supplied mounting template to the selected location, using masking or self-adhesive tape.
2. Drill 2 holes at the positions indicated on the template.
3. Position the unit and hold it in place.
4. Insert a supplied mounting screw into each of the mounting holes. Do NOT tighten at this stage.
5. Gently push the unit downwards until both screws lock into position in the top of the mounting holes.
6. Tighten the screws.

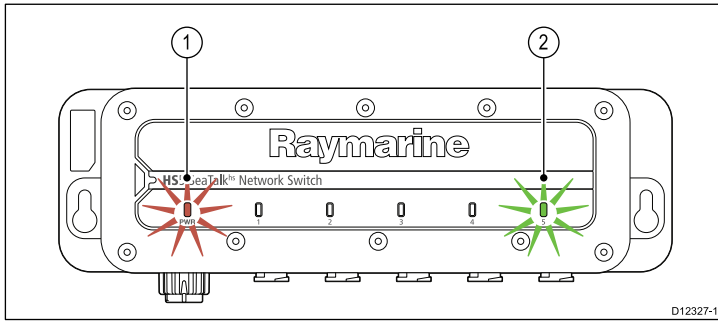
Chapter 5: Troubleshooting and support



Chapter contents

- [5.1 LED locations on page 22](#)
- [5.2 LED indications on page 23](#)
- [5.3 Network switch troubleshooting on page 24](#)
- [5.4 Raymarine customer support on page 25](#)

5.1 LED locations

LEDs indicating the status of the switch are located across the top of the unit.




Item	Description	LED color
1	Power status.	 (Red)
2	Port status (one LED corresponding to each port).	 (Green)


5.2 LED indications

The LEDs on the unit indicate status information for diagnostic purposes.

Power LED

LED activity (based on 1000 ms (1 second) cycle)		LED state description	Unit status description
Off	Red 		
1000 ms	0 ms	Off	No power.
0 ms	1000 ms	Continuous red.	Unit powered on.

Port LED

LED activity (based on 1000 ms (1 second) cycle)		LED state description	Unit status description
Off	Green 		
1000 ms	0 ms	Off	No network connection.
0 ms	1000 ms	Continuous green.	Network connection established, but no network activity detected.
500 ms	500 ms	Blinking green.	Network connection established; network activity detected.
0 ms	84 ms	Blinking green (fast).	Network connection established; 1000 Mbit/S network activity detected.
0 ms	170 ms	Blinking green (medium).	Network connection established; 100 Mbit/S network activity detected.
0 ms	340 ms	Blinking green (slow).	Network connection established; 10 Mbit/S network activity detected.

5.3 Network switch troubleshooting

Problems with the network switch and possible causes and solutions are described here.

Problem	Possible causes	Possible solutions
No LEDs lit.	No power.	Check power connection to unit.
Red power LED is lit but no port green LEDs are lit.	Faulty or no connection for that port.	Check the cable connection for the port. Check any additional connections (such as SeaTalk ^{hs} crossover couplers).
	No network activity.	<ul style="list-style-type: none">• Check that the unit connected to the switch is powered on.• Check that unit connected to the switch is currently transferring data. This can be confirmed by performing an action on the multifunction display that will initiate data transfer for the relevant unit — for example, if suspect a problem with the port corresponding to a connected radar scanner, range in or out in the radar application to initiate data activity.
Slow or poor performance.	Large system featuring more than one network switch. Network switches are connected together via a 100 Mbit/S port.	Use the dedicated 1000 Mbit/S port (port 5) to connect network switches together. You can connect a maximum of 2 switches together using a 1000 Mbit/S connection.

5.4 Raymarine customer support

Raymarine provides a comprehensive customer support service. You can contact customer support through the Raymarine website, telephone and email. If you are unable to resolve a problem, please use any of these facilities to obtain additional help.

Web support

Please visit the customer support area of our website at:

www.raymarine.com

This contains Frequently Asked Questions, servicing information, e-mail access to the Raymarine Technical Support Department and details of worldwide Raymarine agents.

Telephone and email support

In the USA:

- **Tel:** +1 603 324 7900
- **Toll Free:** +1 800 539 5539
- **Email:** support@raymarine.com

In the UK, Europe, the Middle East, or Far East:

- **Tel:** +44 (0)13 2924 6777
- **Email:** ukproduct.support@raymarine.com

Product information

If you need to request service, please have the following information to hand:

- Product name.
- Product identity.
- Serial number.
- Software application version.

You can obtain this product information using the menus within your product.

Appendix A Technical specification

Nominal supply voltage	12 or 24 V dc
Operating voltage range	9 to 32 V dc
Power consumption (typical)	<ul style="list-style-type: none">• < 2.5 W• < 600 mA @ 12 V
Environmental	Installation environment <ul style="list-style-type: none">• Operating temperature: -25 °C to +55 °C (-13 °F to 131 °F)• Storage temperature: -25 °C to +70 °C (-13 °F to 158 °F)• Relative humidity: max 93%• Waterproof to IPX6
Conformance	<ul style="list-style-type: none">• Europe: 2004/108/EC• Australia and New Zealand: C-Tick, Compliance Level 2• China: CCS certification
Supported connection protocols	<ul style="list-style-type: none">• SeaTalk^{hls}
Supported connection speeds	<ul style="list-style-type: none">• 10 Mbit/S• 100 Mbit/S• 1000 Mbit/S (Port 5 only)

Raymarine[®]
A FLIR COMPANY