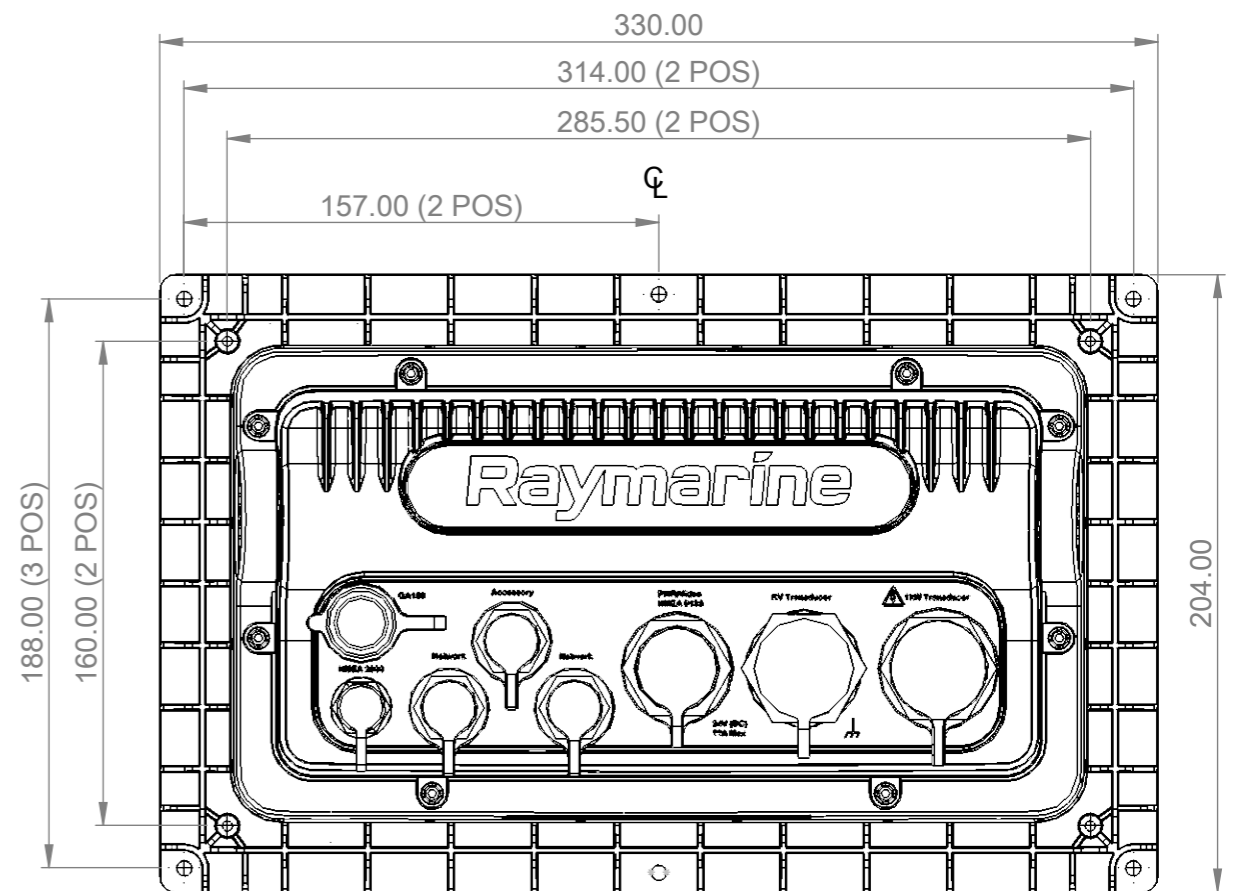


201.50
MINIMUM
CLEARANCE

FOR 90° CABLE
THE MINIMUM
CLEARANCE = 181.5

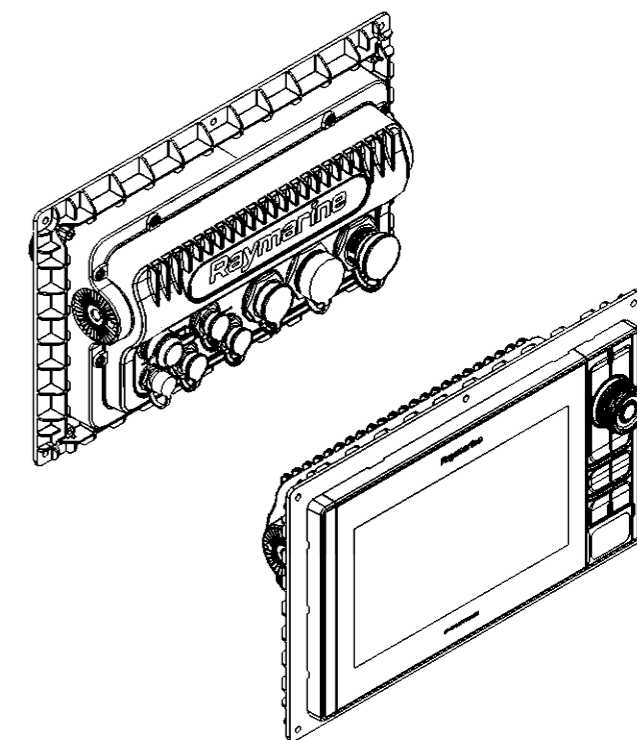
(CABLE SKETCH
NOT TO SCALE)



NOTES:
1) FOR INFORMATION ON INSTALLATION, CONNECTIONS AND PRODUCT SPECIFICATIONS, PLEASE REFER TO HANDBOOK, PRODUCT SUPPORT AND WORKSHOP MANUALS.

2) FOR ANY DIMENSIONAL INFORMATION NOT INCLUDED PLEASE CONTACT YOUR SALES REPRESENTATIVE.

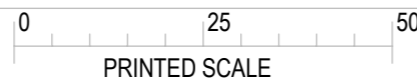
3) DIMENSIONS SHOWN ARE ACTUAL PRODUCT SIZE AND DO NOT INCLUDE ANY CLEARANCE DATA.



Raymarine
A FLIR COMPANY

THE INFORMATION
CONTAINED HEREIN
SHALL NOT BE
REPRODUCED WITHOUT
THE PRIOR WRITTEN
PERMISSION OF
RAYMARINE LTD

© 2011 RAYMARINE LTD



DRAWN TO BS308



DO NOT SCALE - IF IN DOUBT ASK

DRN:

R.M(PDT)

DATE: 12/04/2017

DIMENSIONS IN MM

SCALE: 1:3

TITLE
AXIOM PRO 9in MFD REAR MOUNT

DRAWING No. D_AXIOMPRO9_RM