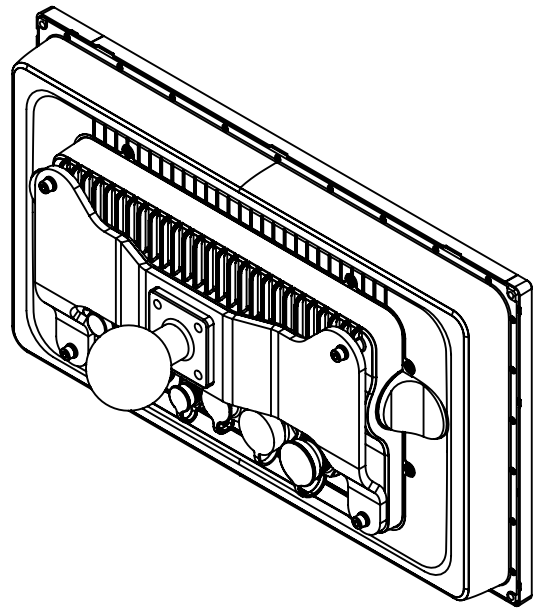
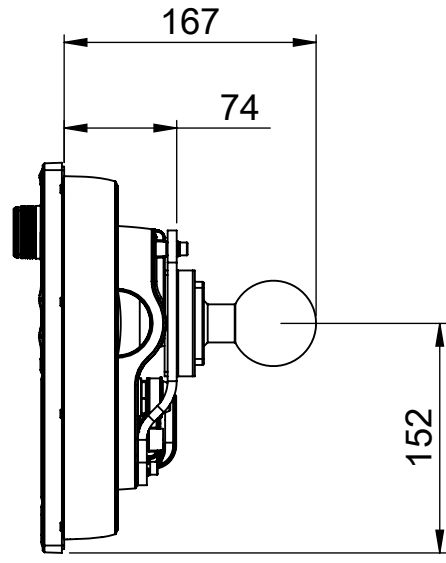
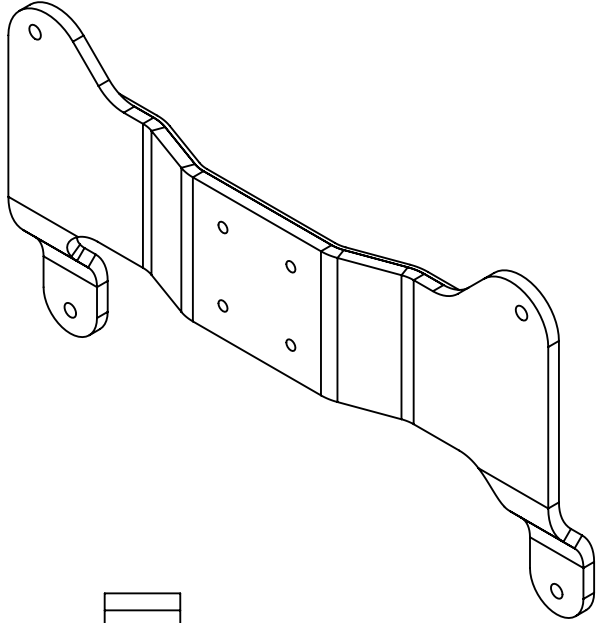
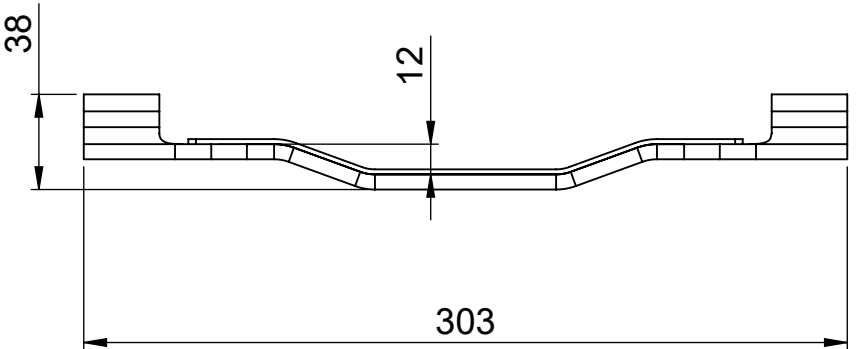


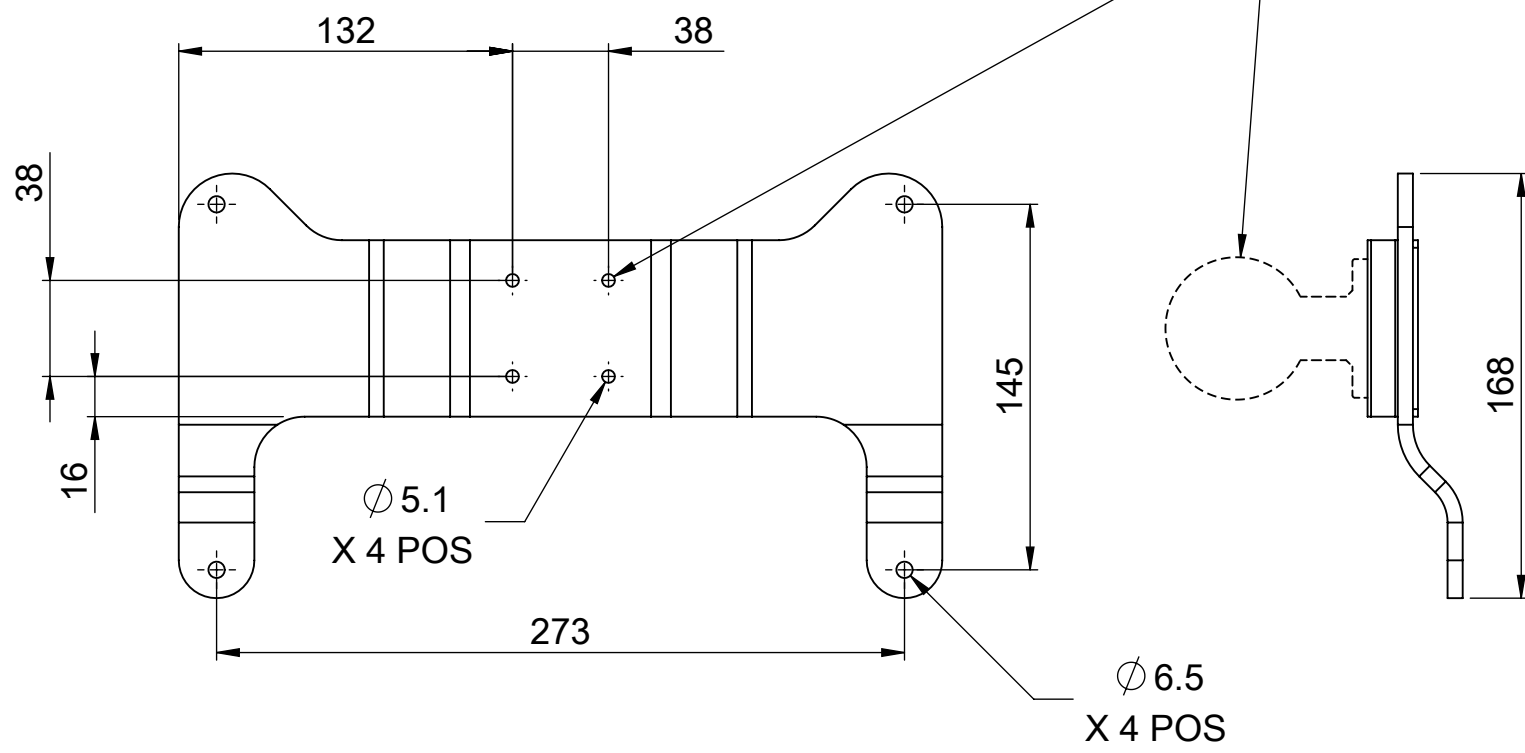
Item No.	Description	QTY
1	BALL MOUNT BRACKET	1
2	M5X16 SOCKET CAP HEAD	4
3	M5 PLAIN WASHER	4
4	M5 RECTANGLE SPRING WASHER	4



IMAGES FOR REFERENCE ONLY



HOLE PITCH PATTERN DESIGNED TO BE USED WITH RAM MOUNT BALL BASE 2" X 2" WITH 2.25" BALL. MANUFACTURERS PART NUMBER: RAM-D-202-22. (RAM MOUNT BALL AND FIXINGS NOT INCLUDED)

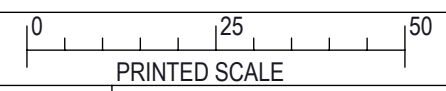


- NOTES:
- 1) FOR INFORMATION ON CONNECTIONS AND PRODUCT SPECIFICATIONS, PLEASE REFER TO HANDBOOK, PRODUCT SUPPORT AND WORKSHOP MANUALS.
 - 2) FOR ANY DIMENSIONAL INFORMATION NOT INCLUDED PLEASE CONTACT YOUR SALES REPRESENTATIVE.
 - 3) DIMENSIONS SHOWN ARE ACTUAL PRODUCT SIZE AND DO NOT INCLUDE ANY CLEARANCE DATA.

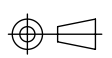


THE INFORMATION CONTAINED HEREIN SHALL NOT BE REPRODUCED WITHOUT THE PRIOR WRITTEN PERMISSION OF RAYMARINE LTD

© 2011 RAYMARINE LTD



DRAWN TO BS308



DO NOT SCALE - IF IN DOUBT ASK

DRN:	LMS	DATE: 11/12/2017
DIMENSIONS IN MM		SCALE: 1:3

TITLE	AXIOM PRO 16in BALLMOUNT BRACKET
DRAWING No.	D_AXIOMPRO16_BMB