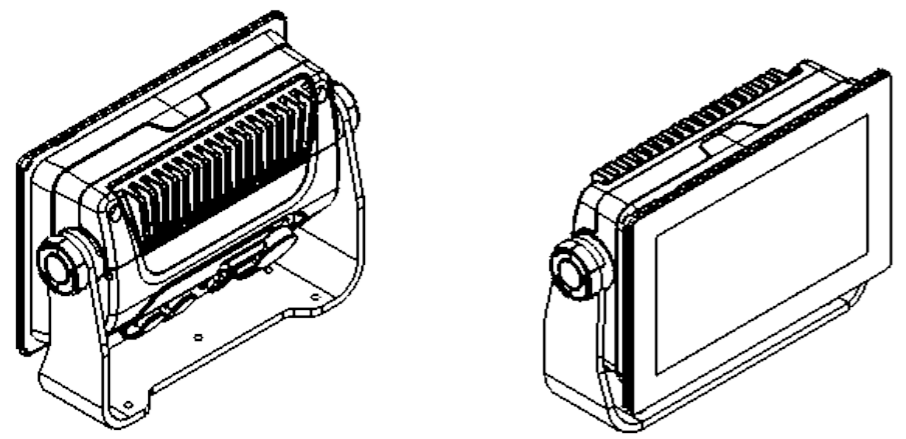
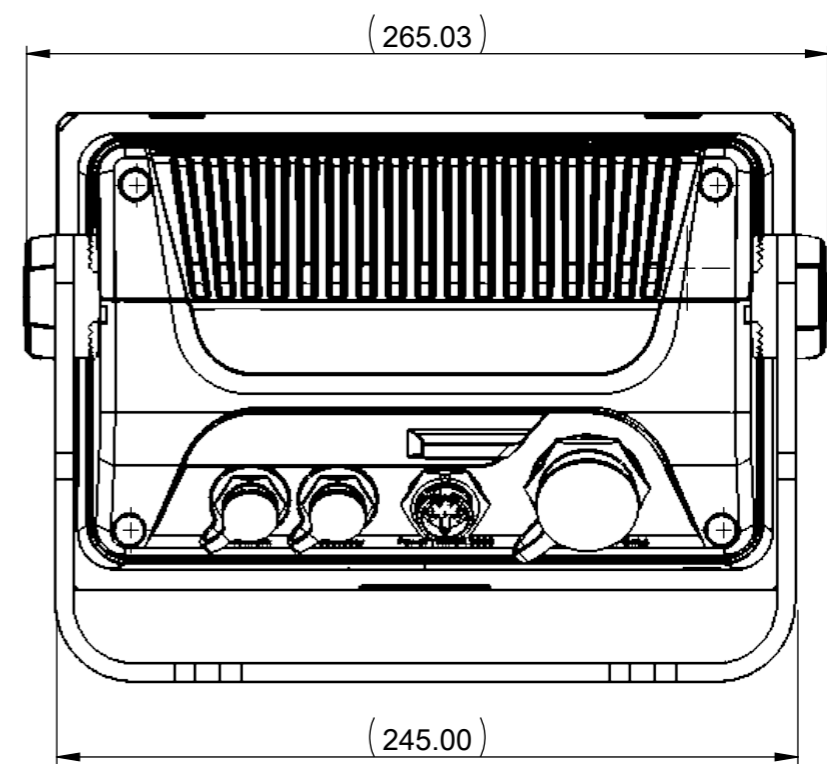
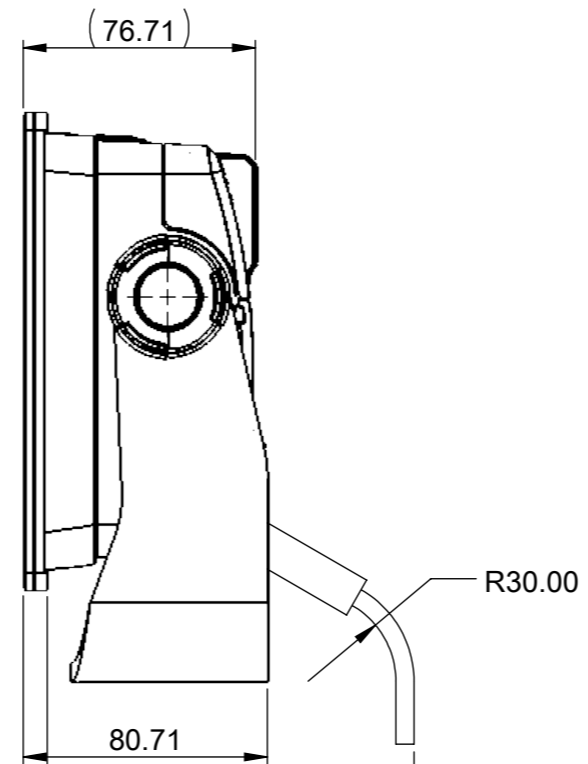
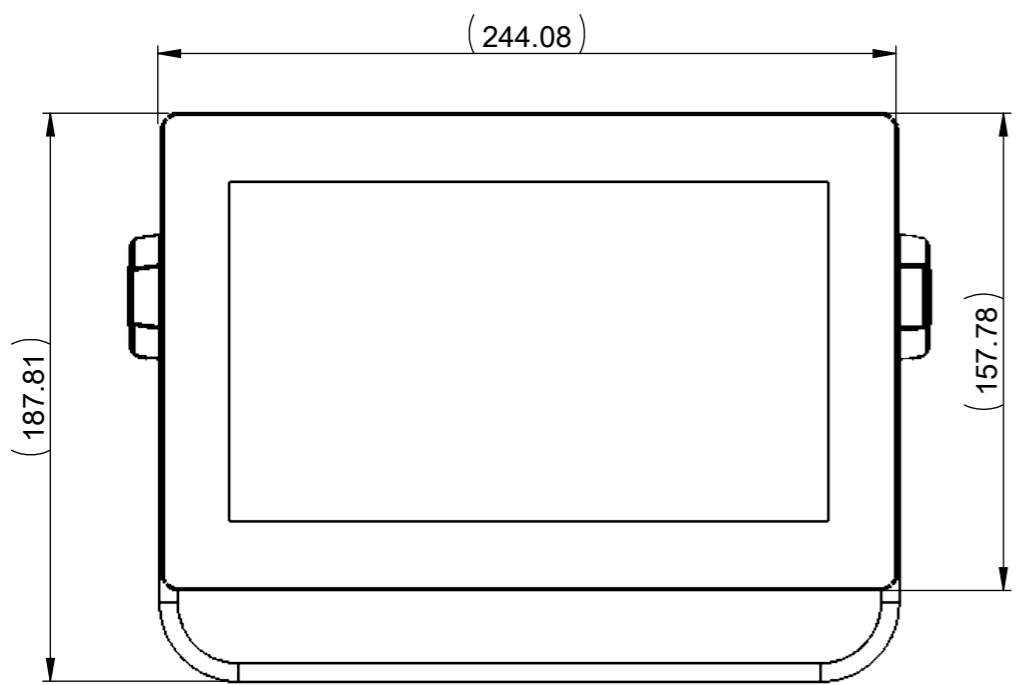


A
B
C
D
E
F
G
H

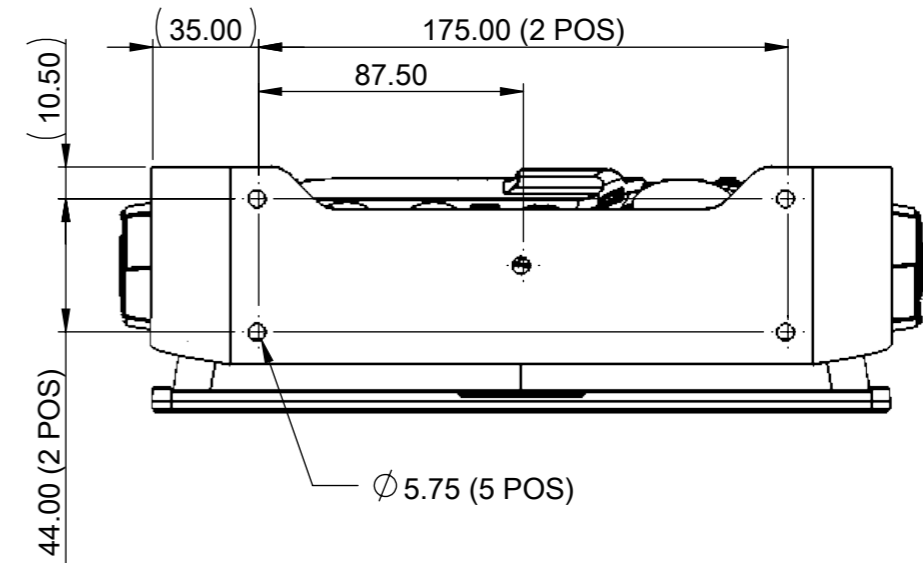
A
B
C
D
E
F
G
H



FOR STRAIGHT
CABLE THE MINIMUM
CLEARANCE = 170mm

FOR 90° CABLE
THE MINIMUM
CLEARANCE = 150mm

(CABLE SKETCH
NOT TO SCALE)

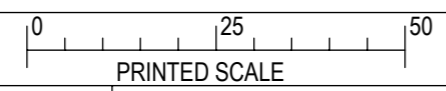


- NOTES:
- 1) FOR INFORMATION ON INSTALLATION, CONNECTIONS AND PRODUCT SPECIFICATIONS, PLEASE REFER TO HANDBOOK, PRODUCT SUPPORT AND WORKSHOP MANUALS.
 - 2) FOR ANY DIMENSIONAL INFORMATION NOT INCLUDED PLEASE CONTACT YOUR SALES REPRESENTATIVE.
 - 3) DIMENSIONS SHOWN ARE ACTUAL PRODUCT SIZE AND DO NOT INCLUDE ANY CLEARANCE DATA.

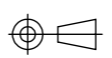


THE INFORMATION
CONTAINED HEREIN
SHALL NOT BE
REPRODUCED WITHOUT
THE PRIOR WRITTEN
PERMISSION OF
RAYMARINE LTD

© 2011 RAYMARINE LTD



DRAWN TO BS308



DO NOT SCALE - IF IN DOUBT ASK

DRN:	R.M(PDT)	DATE: 20/01/2017
DIMENSIONS IN MM		SCALE: 1:3

TITLE	AXIOM 9in MFD TRUNION MOUNT
DRAWING No.	D_AXIOM9_TM