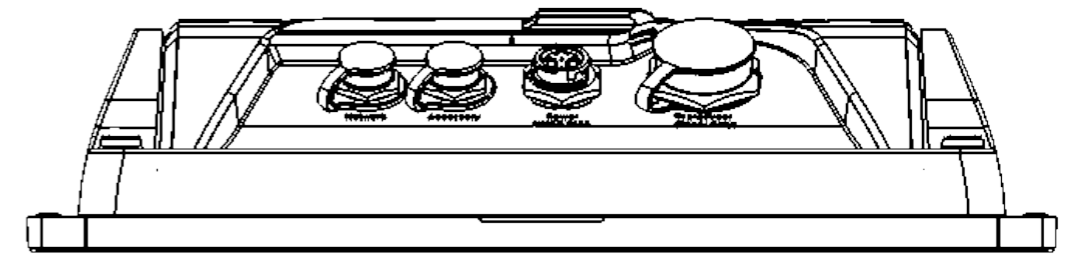


FOR STRAIGHT
CABLE THE MINIMUM
CLEARANCE = 170mm

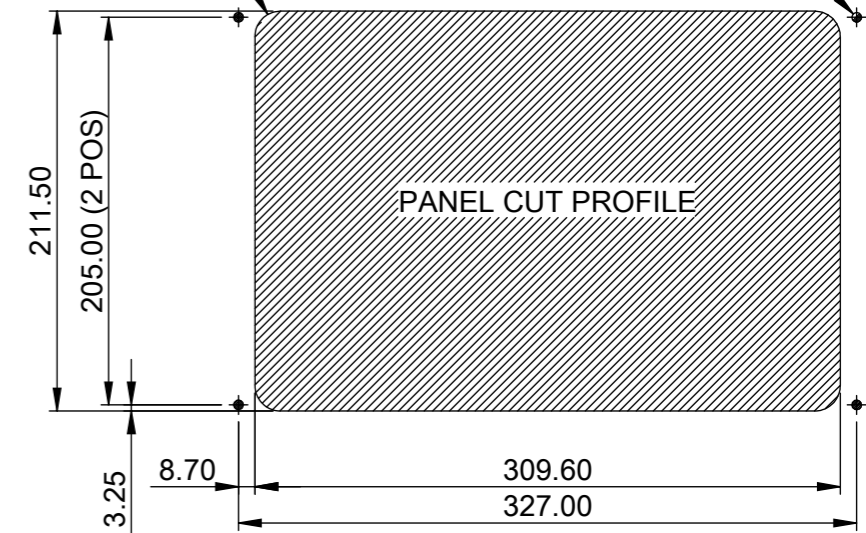
FOR 90° CABLE
THE MINIMUM
CLEARANCE = 150mm

(CABLE SKETCH
NOT TO SCALE)

12.70 (MOUNT FACE TO
FRONT FACE)



R13.50 (4 POS) Ø 5.00 (2 POS)



NOTES:
1) FOR INFORMATION ON INSTALLATION, CONNECTIONS AND PRODUCT SPECIFICATIONS, PLEASE REFER TO HANDBOOK, PRODUCT SUPPORT AND WORKSHOP MANUALS.

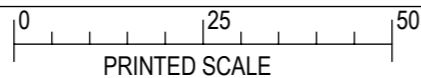
2) FOR ANY DIMENSIONAL INFORMATION NOT INCLUDED PLEASE CONTACT YOUR SALES REPRESENTATIVE.

3) DIMENSIONS SHOWN ARE ACTUAL PRODUCT SIZE AND DO NOT INCLUDE ANY CLEARANCE DATA.

Raymarine
A FLIR COMPANY

THE INFORMATION
CONTAINED HEREIN
SHALL NOT BE
REPRODUCED WITHOUT
THE PRIOR WRITTEN
PERMISSION OF
RAYMARINE LTD

© 2011 RAYMARINE LTD



DRAWN TO BS308



DO NOT SCALE - IF IN DOUBT ASK

DRN:	R.M(PDT)	DATE: 02/11/2016
DIMENSIONS IN MM		SCALE: 1:3

TITLE	AXIOM 12in MFD FRONT INSTALL
DRAWING No.	D_AXIOM12_FI