

- Lumitec Maxillume LED Flood Lights should be installed by qualified persons only. Your Lumitec Maxillume LED Flood Light is fully sealed, and suitable for mounting in interior and exterior spaces. Light circuits should be protected with an appropriately sized fuse or circuit breaker. Fuses on circuits with multiple lights should be sized accordingly. Lights may get warm or hot to the touch during operation.
- Use the template below to drill the appropriately sized holes for the light body and mounting screws. Connect the wires on the light to the DC power system. Use standard SPST "on/off" switch. The black wire should be connected to (-) (or ground), and the white or red wire should be connected to +12VDC or + 24VDC supply using any standard SPST "on/off" switch and appropriately sized wire.
- Note that the light ramps in intensity over a period of about 3 seconds on startup. With no interruption of this ramp the light will achieve and maintain full intensity. To enable a "dimmed mode" simply interrupt the ramp in intensity with a brief off/on toggle of the power. This allows the intensity to be set anywhere from a soft glow to full power.

Lumens (White): 12,000
 Voltage: 10-30vDC
 12v DC Amps: 11A
 24v DC Amps: 5.5A
 Rated Watts: 120
 CCT: 5000
 CRI: 70+
 Op. Temp F/C: -31/35 to + 131/55

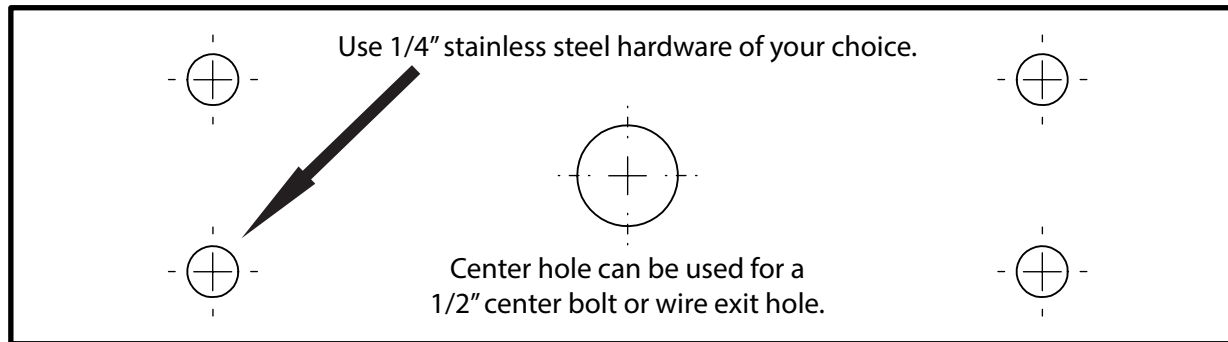
TEMPLATE FOR USE WITH FLUSH MOUNT MAXILLUME h120

Flush mount light should have sufficient ventilation.
 Make sure the recessed area is clear of insulation.

CUT AWAY THIS AREA TO RECESS LIGHT FIXTURE →



TEMPLATE FOR USE WITH BRACKET MOUNT MAXILLUME h120



Predrill appropriately for all #10 self-tapping stainless screws →

This product is warranted to be free from defects in workmanship and materials for a period of three year from the date of original purchase. Should your Lumitec product prove defective during the warranty period promptly notify Lumitec and return product with freight prepaid. Lumitec will, at its option, repair or replace the product without charge for parts or labor, or refund purchase price. Products repaired or replaced under this warranty shall be warranted for the unexpired portion of the warranty applying to the original product(s). Lumitec is not responsible for product failure caused by abuse, neglect, improper installation, or failure in applications other than those for which it was designed, intended, and marketed. No warranty or affirmation of fact, express or implied, other than as set forth in the limited warranty statement above is made or authorized by Lumitec. Any liability for consequential and incidental damages is expressly disclaimed. Lumitec liability in all events is limited to, and shall not exceed, the purchase price paid.