



a xylem brand

LITE FLUSH ELECTRIC TOILET

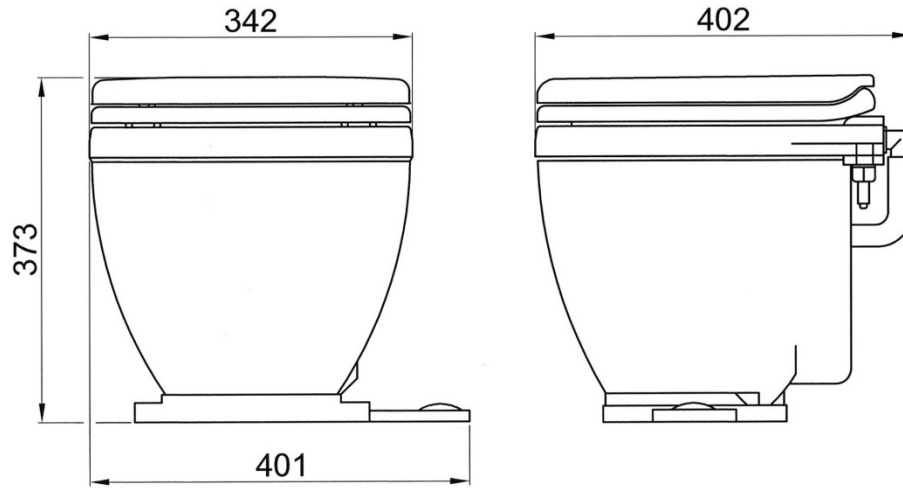
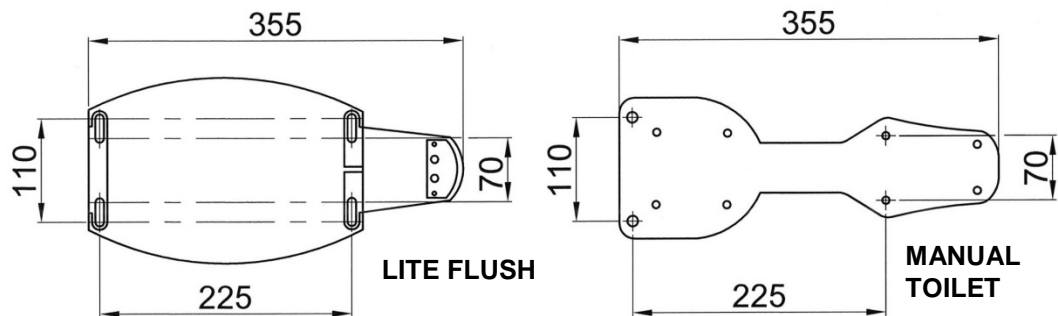


FOOT-SWITCH

- * Electric toilet designed with the same 'footprint' as the Jabsco manual toilet. Available with single touch fully automatic foot-switch or a control pad offering 'one touch' 'fill' and 'flush' options.
- * The 'Lite Flush, with **foot-switch** will completely cover the foot print of the original manual toilet using the same fixing points. Foot-switch can be installed left or right handed by simply moving the switch and adjusting the hose
- * The 'Lite Flush' has a similar hosing arrangement as the manual toilet – using the same 19mm bore inlet hose, 38mm bore discharge hose
- * Quiet operation
- * Choice of leaving bowl wet or dry after use
- * Flush uses less than 1.2 litres of water
- * Non-clogging, centrifugal, waste macerating pump, and a self-priming diaphragm rinse pump internally mounted within the toilet base
- * Slow close seat and lid



CONTROL PANEL

DIMENSIONS:Dimensions
in mm**FOOT-PRINT:**

MODEL	DESCRIPTION	PART NUMBER	FUSE SIZE
FOOT SWITCH VARIANT	<i>Lite flush 12v</i>	58500-0012	<i>25 amp</i>
	<i>Lite flush 24v</i>	58500-0024	<i>15 amp</i>
CONTROL PANEL VARIANT	<i>Lite flush 12v</i>	58500-1012	<i>25 amp</i>
	<i>Lite flush 24v</i>	58500-1024	<i>15 amp</i>

FOOT-SWITCH CONTROLLER

The Lite Flush toilet offers a single touch fully automatic foot-switch operation.

- ◆ The first press of the Foot-switch activates the rinse pump and adds approximately 0.6 litres of water to the bowl
- ◆ The second press of the Foot-switch activates the rinse pump adding a further 0.6 litres of water to the bowl and then operates the flush pump, discharging the contents and leaving the bowl dry.

This is the complete 2 stage flush cycle. You may decide to leave the bowl dry or, by pressing the Footswitch once more, leave the bowl wet, ready for the next user.

CONTROL PANEL

The Lite Flush toilet features a 'one touch' control pad offering two options – 'fill' and 'flush'.

- ◆ The user needs to press the 'fill' button first to activate the rinse pump and add approximately 0.6 litres of water before use.
- ◆ The 'flush' press activates the rinse pump adding a further 0.6 litres of water to the bowl and then operates the flush pump, discharging the contents and leaving the bowl dry.

The fill and flush functions operate in a flush cycle sequentially. You need to press the fill button before the flush function operates. You may decide to leave the bowl dry or, by pressing the fill button once more, leave the bowl wet, ready for the next user.

