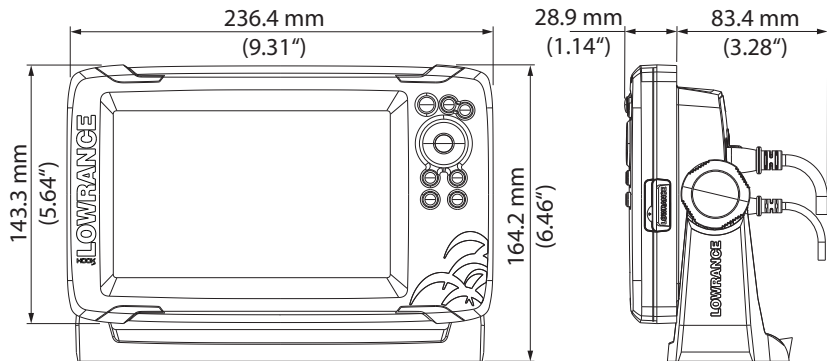


## Details



Sunlight readable



-15°C to +55°C  
+5°F to +131°F



0.70 Kg  
1.54 lbs



1x card reader slot\*  
Micro SD



60°/50°, top/bottom  
70°/70°, left/right

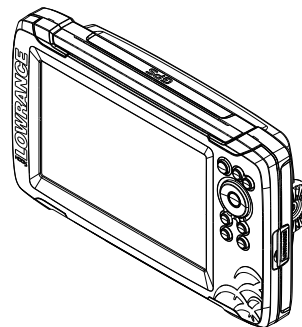


IPX6  
IPX7

\* Depending on model

# LOWRANCE®

## HOOK<sup>2</sup> 7 INSTALLATION GUIDE

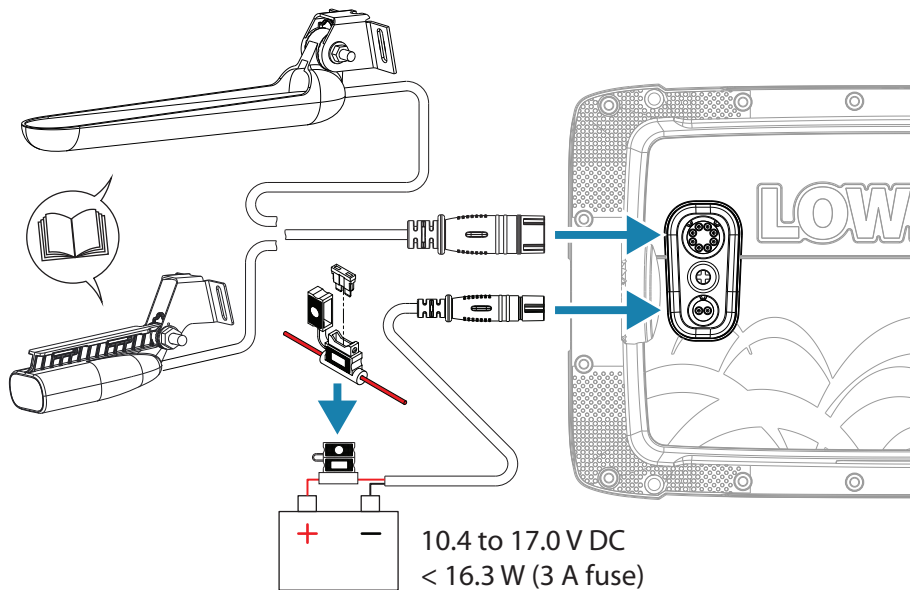


For product manuals, technical specifications, certificates and declarations refer to the product website:

[www.lowrance.com](http://www.lowrance.com)

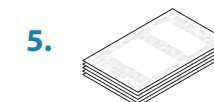
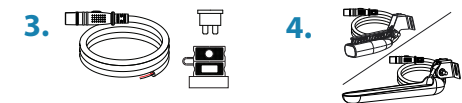
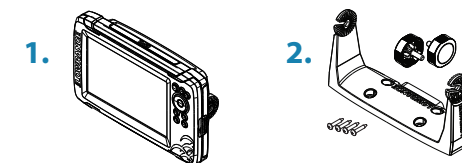


## Wiring



## Parts included

1. Display unit
2. Bracket mounting kit
  - Bracket
  - 2x knobs
  - 4x screws, self-tapping #10 X 3/4 PN HD SS
3. Cable and fuse kit
  - Power cable
  - Fuse and fuse holder
4. SplitShot or TripleShot transducer
5. Document package

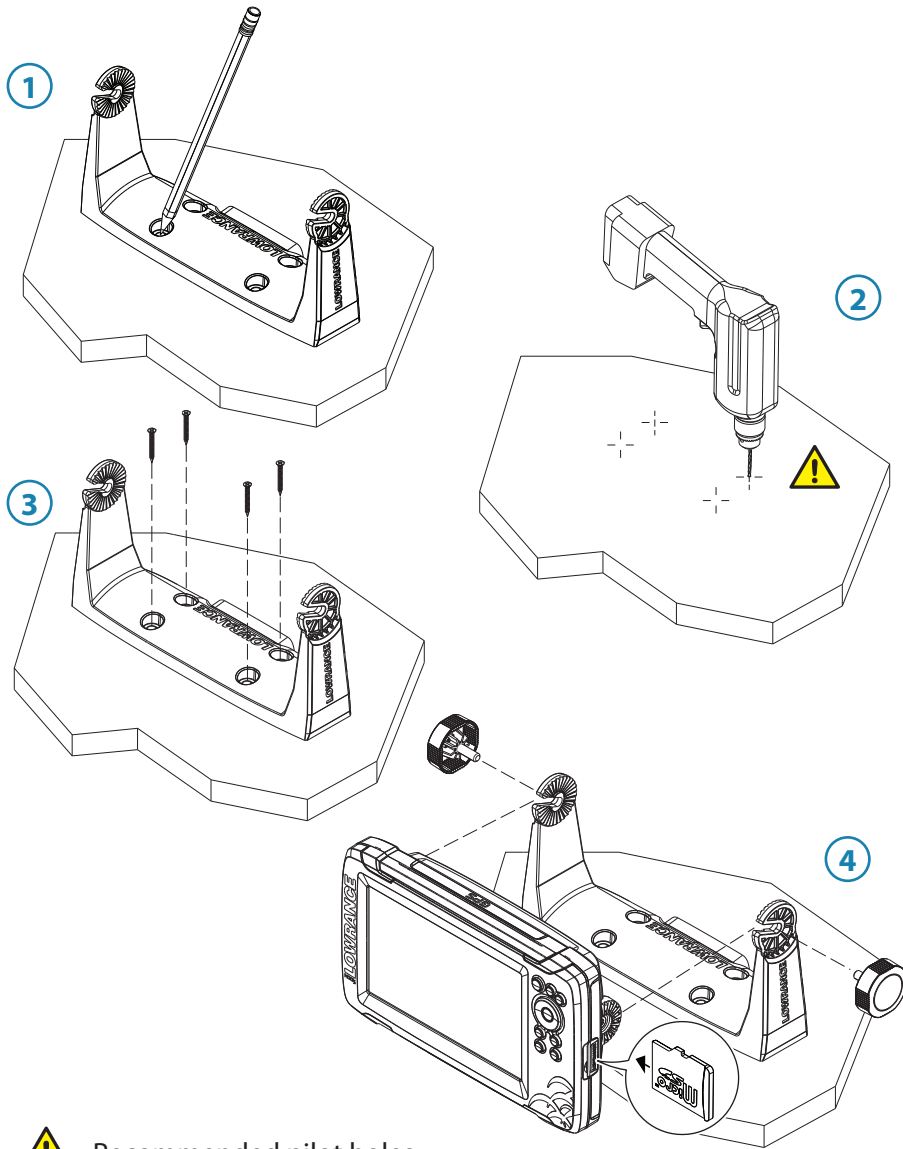


## Accessories (sold separately)

- A. Sun cover  
part no.: 000-14175-001
- B. Panel mounting kit  
part no.: 000-14188-001



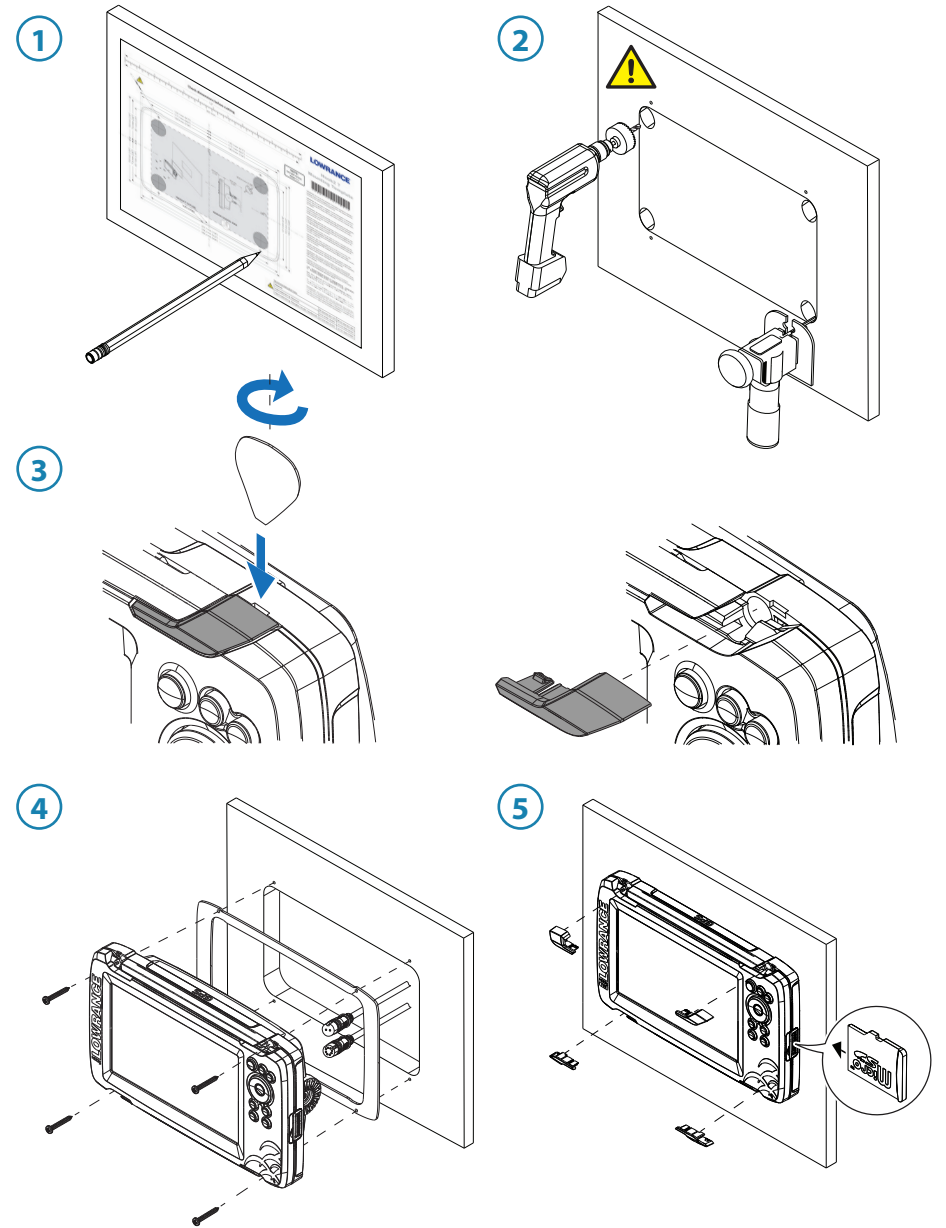
## Bracket mounting




 Recommended pilot holes.

Material	10# screw
Soft materials e.g. Plywood	Ø 3.7-4.0 mm (5/32")
Hard materials e.g. Fiberglass, Acrylic, Hardwoods	Ø 4.1-4.7 mm (3/16")

## Panel mounting



 See panel mounting template for drilling and cutting details. Panel mounting kit is sold separately.