

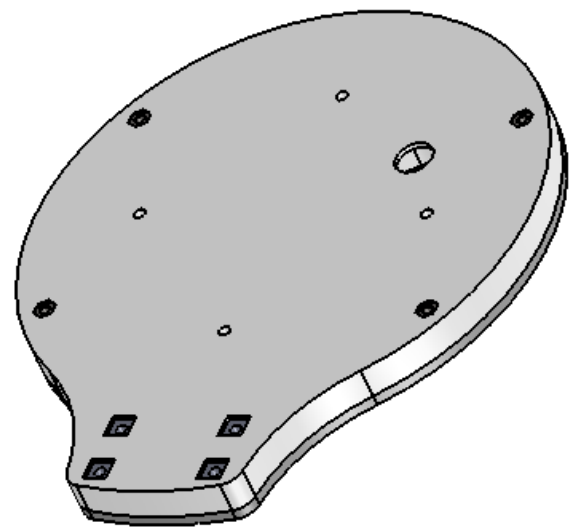
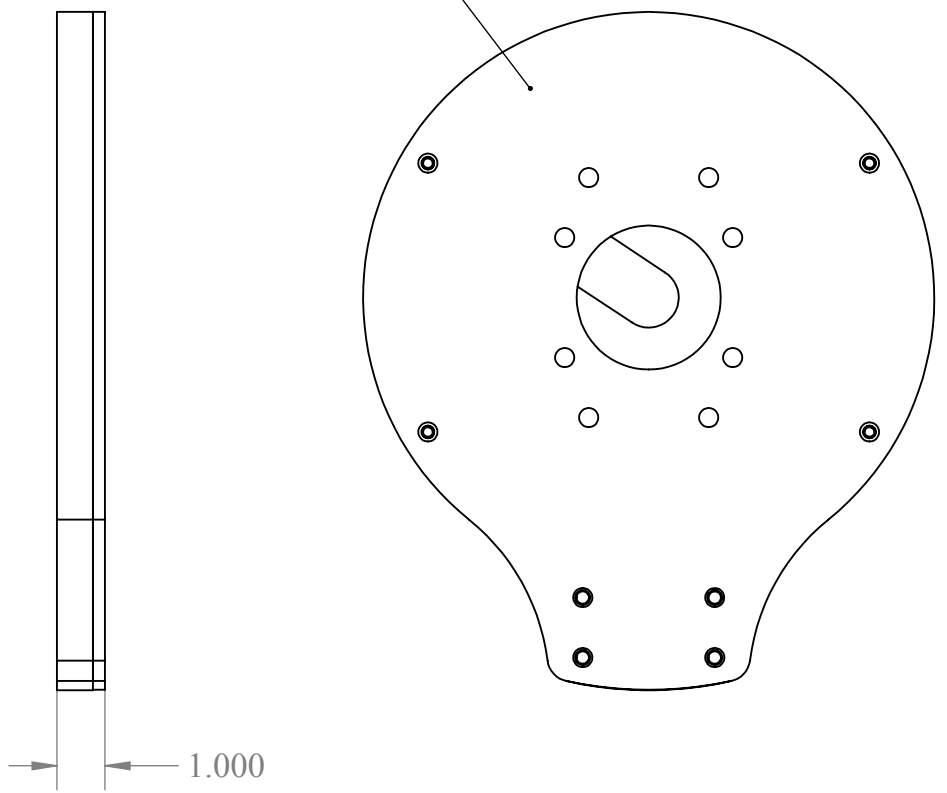
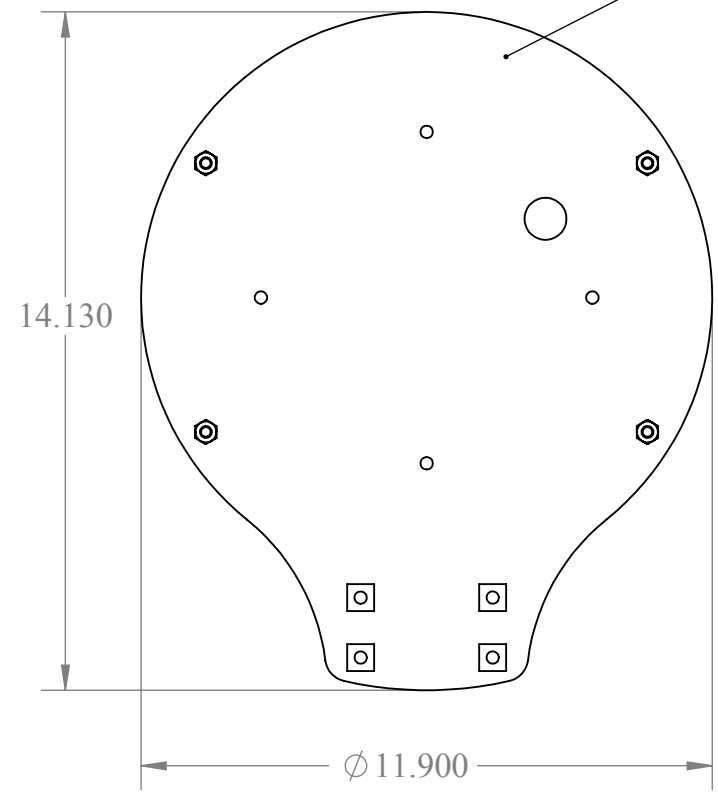
8 7 6 5 4 3 2 1

D

D

TOP PLATES BOLTS TO SATDOME

BOTTOM PLATE BOLTS TO SATDOME MOUNT



C

C

B

B

A

A

PROPRIETARY AND CONFIDENTIAL
 THE INFORMATION CONTAINED IN THIS DRAWING IS THE SOLE PROPERTY OF <INSERT COMPANY NAME HERE>. ANY REPRODUCTION IN PART OR AS A WHOLE WITHOUT THE WRITTEN PERMISSION OF <INSERT COMPANY NAME HERE> IS PROHIBITED.

| | | | | | |
|-------------|---------|--------------------------------------|--|-------------------------|------------------|
| | | UNLESS OTHERWISE SPECIFIED: | | NAME | DATE |
| | | DIMENSIONS ARE IN INCHES | | DRAWN | J.BLACK 06-20-10 |
| | | TOLERANCES: | | CHECKED | |
| | | FRACTIONAL ± | | ENG APPR. | |
| | | ANGULAR: MACH ± BEND ± | | MFG APPR. | |
| | | TWO PLACE DECIMAL ±.01 | | Q.A. | |
| | | THREE PLACE DECIMAL ±.003 | | COMMENTS: | |
| | | INTERPRET GEOMETRIC TOLERANCING PER: | | | |
| | | MATERIAL | | | |
| NEXT ASSY | USED ON | FINISH | | TITLE: ADA-S4 | |
| APPLICATION | | DO NOT SCALE DRAWING | | SIZE B | DWG. NO. |
| | | | | SCALE: 1:4 | WEIGHT: |
| | | | | REV | |
| | | | | SHEET 1 OF 1 | |

8 7 6 5 4 3 2 1