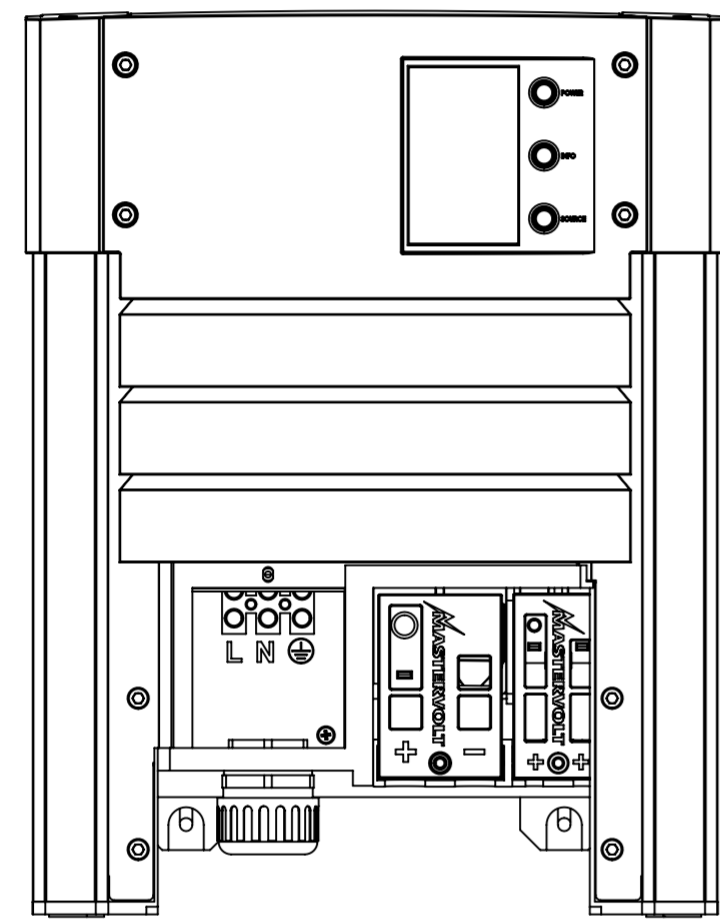
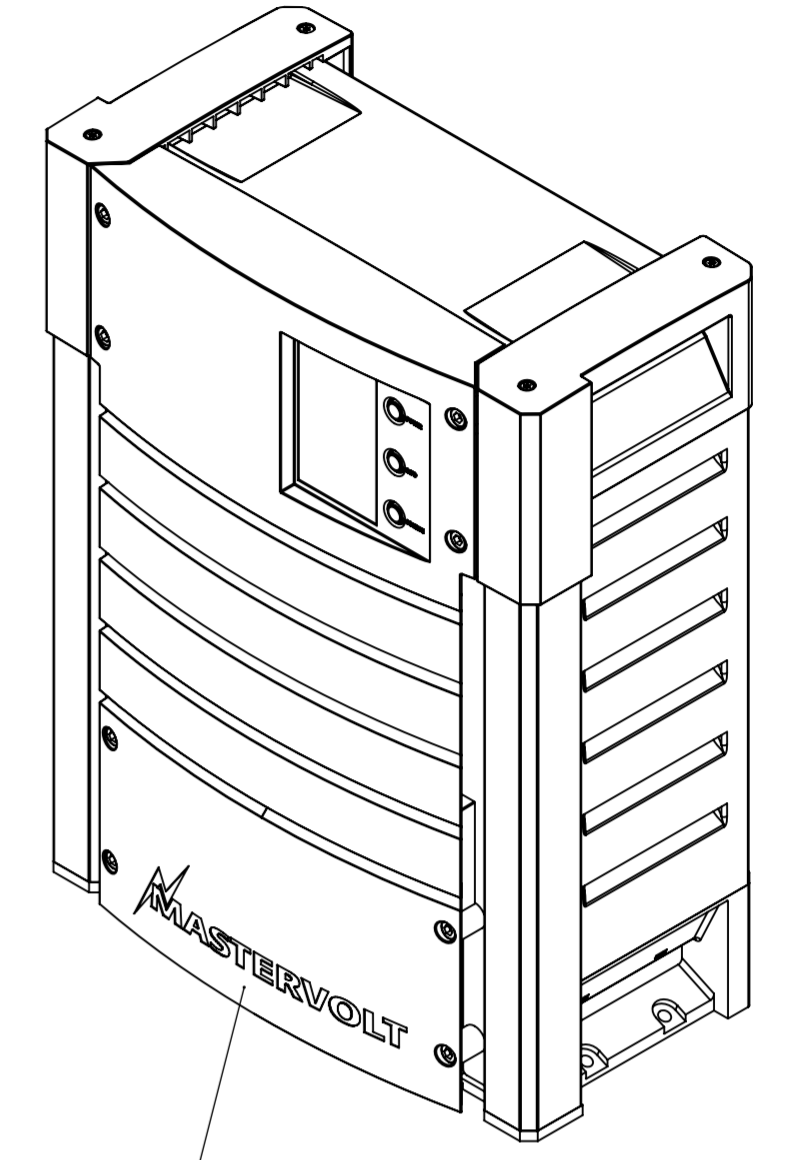
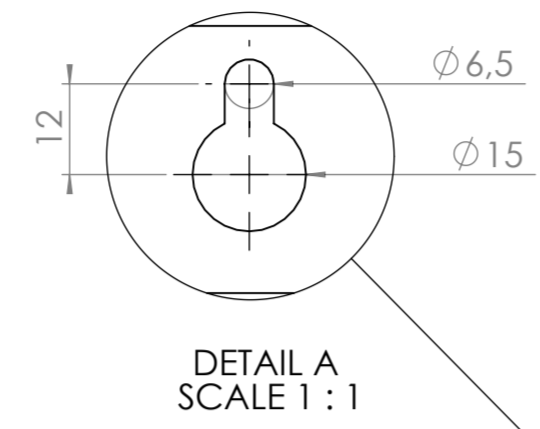
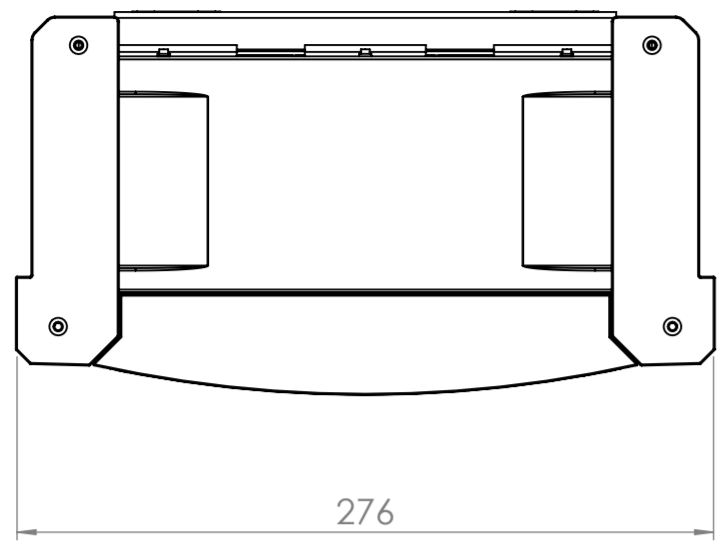
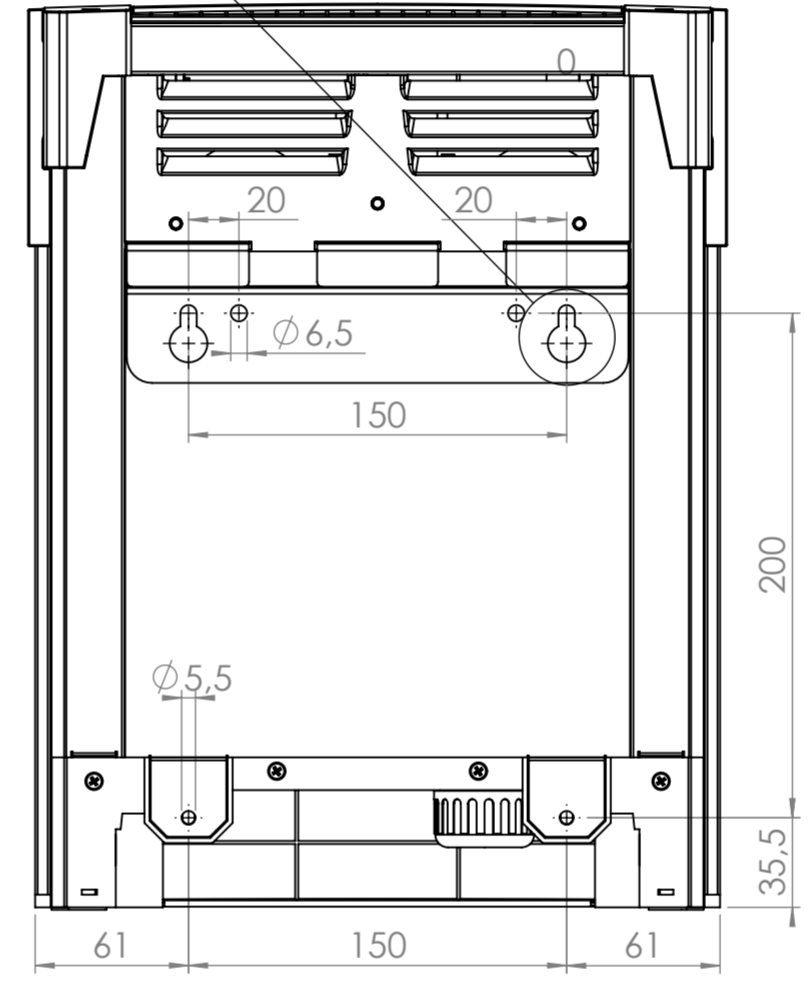
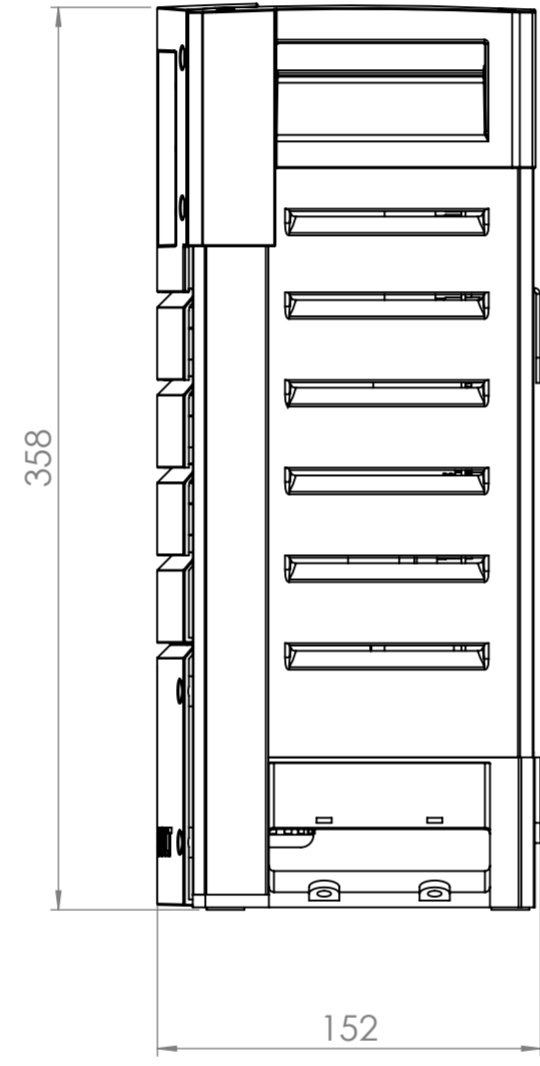


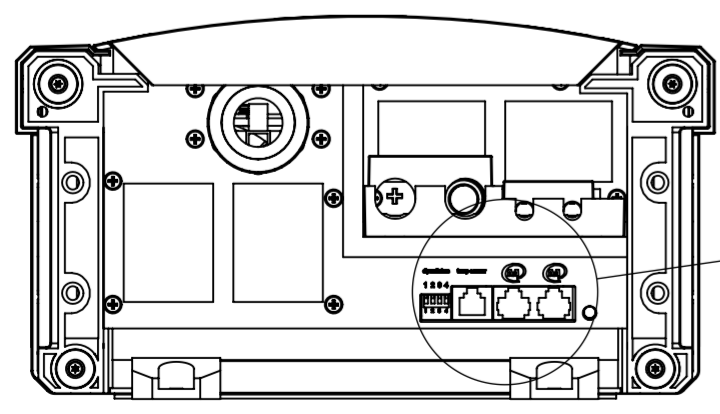
REVISIONS				
ZONE	REV.	DESCRIPTION	DATE	APPROVED



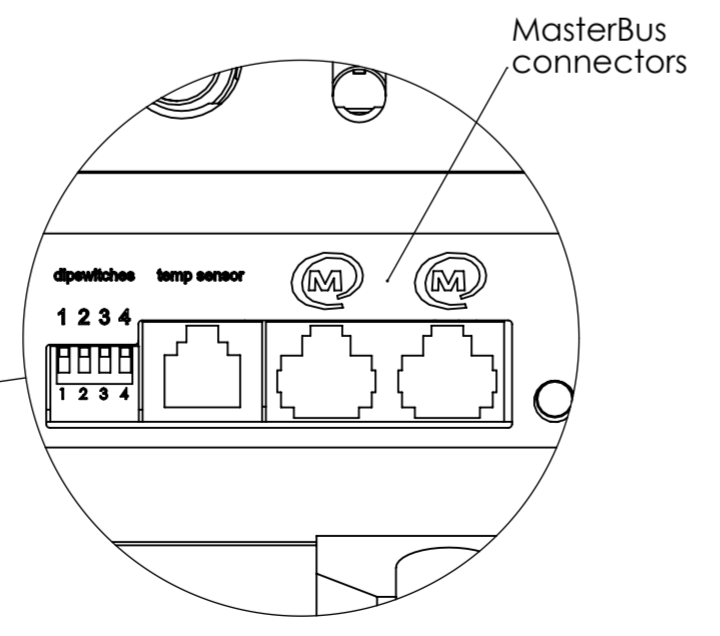
Frontview with Connection cover removed



Backside: ChargeMaster II with mounting bracket.



AC and DC connections



Communication ports

Unless otherwise specified. Dimensions are in mm. Tolerances: - Linear: ± 0.2mm - Angular: ± 0.5°		Finish	Debur and break sharp edges.	Status: released	Revision 0
DO NOT SCALE DRAWING				Dimensions ChargeMaster II	
Drawn	H. F. Dekker	Signature	Date	Dwg. no.: M2250-0	Project: ChargeMaster
Chk'd					
Appv'd					
Mfg					
Q.A					
			Material:		
			WEIGHT:		
			SCALE: 1:3	SHEET 1 OF 1	



A2