

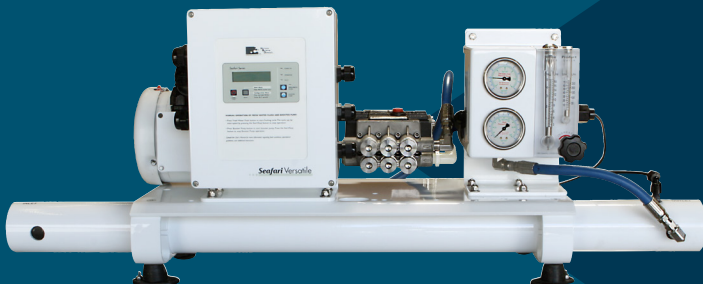
Seafari Versatile

Along the coast or around the world

With systems capable of producing up to 1800 gallons per day, you'll find that the Seafari is perfect for weekend fishing, or blue water cruising. Engineered to be hassle-free, the Seafari Versatile is Horizon Reverse Osmosis's most user-friendly operable system. The Seafari Versatile is also capable of withstanding the ocean's harshest conditions, while maintaining its high level of quality. Simple and reliable, the Seafari Versatile is the watermaker for every boater.



modular



self-contained



- Production:** Up to 1,800 Gal per day
- Boat Sizes:** 40 ft - 100 ft
- Configurations:** Modular (top left)
Self Contained (bottom left)
- Key Features:** Remote cube
Versatile Installation

Seafari Versatile - Specifications

Model Number	Per 24 Hours - Gal / Lit	Per Hour - Gal/ Lit	Weight
450-1	450 / 1,705	18 / 70	118 lbs / 54 kg
700-1	700 / 2,650	26 / 110	125 lbs / 57 kg
900-1	900 / 3,405	38 / 140	136 lbs / 62 kg
900-2	900 / 3,405	38 / 140	136 lbs / 62 kg
1400-2	1,400 / 5,300	58 / 220	147 lbs / 67 kg
1800-2	1,800 / 6,815	75 / 285	150 lbs / 68 kg

High Pressure Pump Motor and Booster Pump combined Amp Draw:

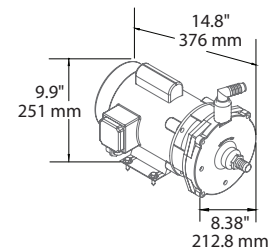
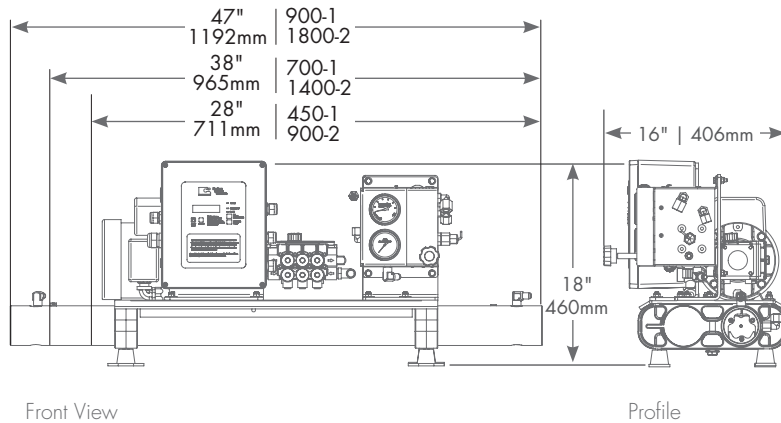
Models: 450-1 & 900-2 • 60Hz

Models: 450-1, 700-1, 900-1, 900-2, 1400-2, & 1800-2 • 50 - 60Hz

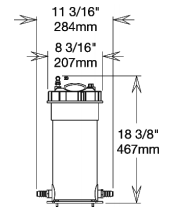
Phase	Hz	Voltage	HP	Running Amps	Start Up Amps	Phase	Hz	Voltage	HP	Running Amps	Start Up Amps
1	60	115	2.1	28	93	1	50/60	115	2.5	30	103
1	60	220	2.1	14	47	1	50/60	220	2.5	15	52
3	60	220	3	12	30	3	50/60	220	3	12	30
3	60	440	3	6	15	3	50/60	440	3	6	15

Seafari Versatile - Dimensions

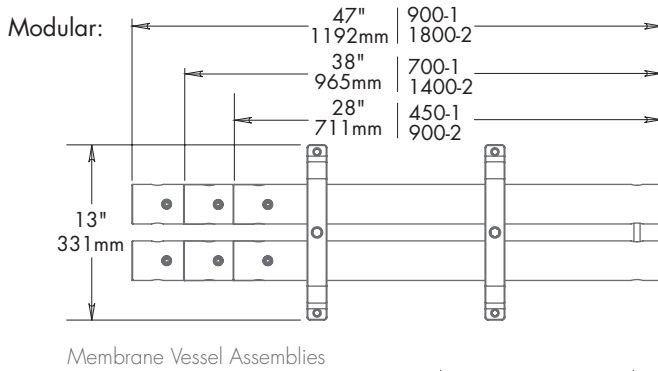
Self Contained:



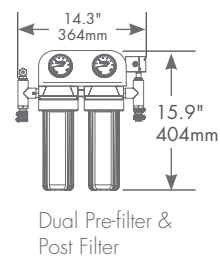
Booster Pump



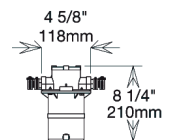
Commercial Prefilter & Oil Water Separator



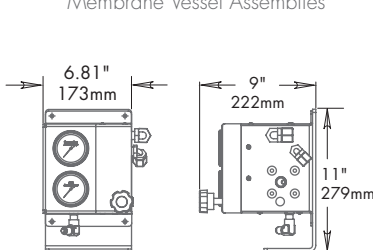
Membrane Vessel Assemblies



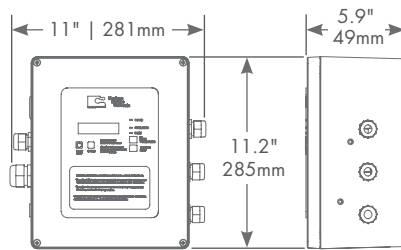
Dual Pre-filter & Post Filter



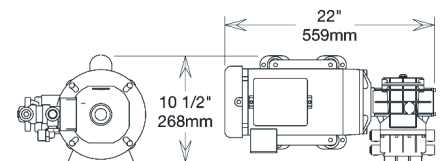
Sea Strainer



Remote Cube Front | Profile



Control Box



Motor Pump Assembly