

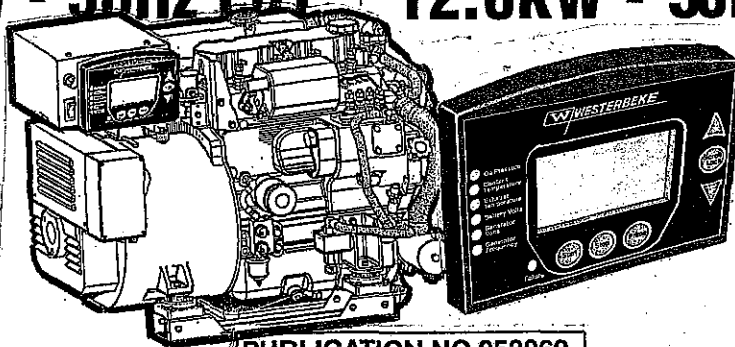


OPERATORS MANUAL

D-NET DIESEL GENERATORS

SINGLE AND THREE PHASE

8.0KW - 60Hz EDT	12.5KW - 60Hz EDT
6.0KW - 50Hz EDT	9.4KW - 50Hz EDT
10.0KW - 60Hz EDT	12.6KW - 60Hz EDT
7.5KW - 50Hz EDT	10.4KW - 50Hz EDT
11.5KW - 60Hz EDT	15.0KW - 60Hz EDT
9.2KW - 50Hz EDT	12.0KW - 50Hz EDT



PUBLICATION NO.053060
REVISION FOUR
NOVEMBER 2011

WESTERBEKE



WESTERBEKE CORPORATION • MYLES STANDISH INDUSTRIAL PARK
150 JOHN HANCOCK ROAD, TAUNTON, MA 02780-7319 U.S.A.
TEL: (508)823-7677 • FAX: (508)884-9688 • WEBSITE: WWW.WESTERBEKE.COM

**CALIFORNIA
PROPOSITION 65 WARNING**

Diesel engine exhaust and some of its constituents are known to the State of California to cause cancer, birth defects, and other reproductive harm.

⚠ WARNING:

Exhaust gasses contain Carbon Monoxide, an odorless and colorless gas. Carbon Monoxide is poisonous and can cause unconsciousness and death. Symptoms of Carbon Monoxide exposure can include:

- *Dizziness*
- *Throbbing in Temples*
- *Nausea*
- *Muscular Twitching*
- *Headache*
- *Vomiting*
- *Weakness and Sleepiness*
- *Inability to Think Coherently*

IF YOU OR ANYONE ELSE EXPERIENCE ANY OF THESE SYMPTOMS, GET OUT INTO THE FRESH AIR IMMEDIATELY. If symptoms persist, seek medical attention. Shut down the unit and do not restart until it has been inspected and repaired.



This WARNING DECAL is provided by WESTERBEKE and should be fixed to a bulkhead near your engine or generator.

WESTERBEKE also recommends installing CARBON MONOXIDE DETECTORS in the living/sleeping quarters of your vessel. They are inexpensive and easily obtainable at your local marine store.

SAFETY INSTRUCTIONS

INTRODUCTION

Read this safety manual carefully. Most accidents are caused by failure to follow fundamental rules and precautions. Know when dangerous conditions exist and take the necessary precautions to protect yourself, your personnel, and your machinery.

The following safety instructions are in compliance with the American Boat and Yacht Council (ABYC) standards.

PREVENT ELECTRIC SHOCK

⚠ WARNING: Do not touch AC electrical connections while engine is running, or when connected to shore power. Lethal voltage is present at these connections!

- Do not operate this machinery without electrical enclosures and covers in place.
- Shut off electrical power before accessing electrical equipment.
- Use insulated mats whenever working on electrical equipment.
- Make sure your clothing and skin are dry, not damp (particularly shoes) when handling electrical equipment.
- Remove wristwatch and all jewelry when working on electrical equipment.
- Do not connect utility shore power to vessel's AC circuits, except through a ship-to-shore double throw transfer switch. Damage to vessel's AC generator may result if this procedure is not followed.
- Electrical shock results from handling a charged capacitor. Discharge capacitor by shorting terminals together.

PREVENT BURNS — HOT ENGINE

⚠ WARNING: Do not touch hot engine parts or exhaust system components. A running engine gets very hot!

- Always check the engine coolant level at the coolant recovery tank.

⚠ WARNING: Steam can cause injury or death!

- In case of an engine overheat, allow the engine to cool before touching the engine or checking the coolant.

PREVENT BURNS — FIRE

⚠ WARNING: Fire can cause injury or death!

- Prevent flash fires. Do not smoke or permit flames or sparks to occur near the carburetor, fuel line, filter, fuel pump, or other potential sources of spilled fuel or fuel vapors. Use a suitable container to catch all fuel when removing the fuel line, carburetor, or fuel filters.
- Do not operate with a Coast Guard Approved flame arrester removed. Backfire can cause severe injury or death.
- Do not operate with the air cleaner/silencer removed. Backfire can cause severe injury or death.
- Do not smoke or permit flames or sparks to occur near the fuel system. Keep the compartment and the engine/generator clean and free of debris to minimize the chances of fire. Wipe up all spilled fuel and engine oil.
- Be aware — diesel fuel will burn.

PREVENT BURNS — EXPLOSION

⚠ WARNING: Explosions from fuel vapors can cause injury or death!

- Follow re-fueling safety instructions. Keep the vessel's hatches closed when fueling. Open and ventilate cabin after fueling. Check below for fumes/vapor before running the blower. Run the blower for four minutes before starting your engine.
- All fuel vapors are highly explosive. Use extreme care when handling and storing fuels. Store fuel in a well-ventilated area away from spark-producing equipment and out of the reach of children.
- Do not fill the fuel tank(s) while the engine is running.
- Shut off the fuel service valve at the engine when servicing the fuel system. Take care in catching any fuel that might spill. DO NOT allow any smoking, open flames, or other sources of fire near the fuel system or engine when servicing. Ensure proper ventilation exists when servicing the fuel system.
- Do not alter or modify the fuel system.
- Be sure all fuel supplies have a positive shutoff valve.
- Be certain fuel line fittings are adequately tightened and free of leaks.
- Make sure a fire extinguisher is installed nearby and is properly maintained. Be familiar with its proper use. Extinguishers rated ABC by the NFPA are appropriate for all applications encountered in this environment.

SAFETY INSTRUCTIONS

ACCIDENTAL STARTING

⚠ WARNING: Accidental starting can cause injury or death!

- Disconnect the battery cables before servicing the engine/generator. Remove the negative lead first and reconnect it last.
- Make certain all personnel are clear of the engine before starting.
- Make certain all covers, guards, and hatches are re-installed before starting the engine.

BATTERY EXPLOSION

⚠ WARNING: Battery explosion can cause injury or death!

- Do not smoke or allow an open flame near the battery being serviced. Lead acid batteries emit hydrogen, a highly explosive gas, which can be ignited by electrical arcing or by lit tobacco products. Shut off all electrical equipment in the vicinity to prevent electrical arcing during servicing.
- Never connect the negative (-) battery cable to the positive (+) connection terminal of the starter solenoid. Do not test the battery condition by shorting the terminals together. Sparks could ignite battery gases or fuel vapors. Ventilate any compartment containing batteries to prevent accumulation of explosive gases. To avoid sparks, do not disturb the battery charger connections while the battery is being charged.
- Avoid contacting the terminals with tools, etc., to prevent burns or sparks that could cause an explosion. Remove wristwatch, rings, and any other jewelry before handling the battery.
- Always turn the battery charger off before disconnecting the battery connections. Remove the negative lead first and reconnect it last when disconnecting the battery.

BATTERY ACID

⚠ WARNING: Sulfuric acid in batteries can cause severe injury or death!

- When servicing the battery or checking the electrolyte level, wear rubber gloves, a rubber apron, and eye protection. Batteries contain sulfuric acid which is destructive. If it comes in contact with your skin, wash it off at once with water. Acid may splash on the skin or into the eyes inadvertently when removing electrolyte caps.

TOXIC EXHAUST GASES

⚠ WARNING: Carbon monoxide (CO) is a deadly gas!

- Ensure that the exhaust system is adequate to expel gases discharged from the engine. Check the exhaust system regularly for leaks and make sure the exhaust manifolds are securely attached and no warping exists. Pay close attention to the manifold, water injection elbow, and exhaust pipe nipple.
- Be sure the unit and its surroundings are well ventilated.
- In addition to routine inspection of the exhaust system, install a carbon monoxide detector. Consult your boat builder or dealer for installation of approved detectors.
- For additional information refer to ABYC T-22 (educational information on Carbon Monoxide).

⚠ WARNING: Carbon monoxide (CO) is an invisible odorless gas. Inhalation produces flu-like symptoms, nausea or death!

- Do not use copper tubing in diesel exhaust systems. Diesel fumes can rapidly destroy copper tubing in exhaust systems. Exhaust sulfur causes rapid deterioration of copper tubing resulting in exhaust/water leakage.
- Do not install exhaust outlet where exhaust can be drawn through portholes, vents, or air conditioners. If the engine exhaust discharge outlet is near the waterline, water could enter the exhaust discharge outlet and close or restrict the flow of exhaust. Avoid overloading the craft.
- Although diesel engine exhaust gases are not as toxic as exhaust fumes from gasoline engines, carbon monoxide gas is present in diesel exhaust fumes. Some of the symptoms or signs of carbon monoxide inhalation or poisoning are:

Vomiting
Dizziness
Throbbing in temples
Muscular twitching
Intense headache
Weakness and sleepiness

AVOID MOVING PARTS

⚠ WARNING: Rotating parts can cause injury or death!

- Do not service the engine while it is running. If a situation arises in which it is absolutely necessary to make operating adjustments, use extreme care to avoid touching moving parts and hot exhaust system components.

SAFETY INSTRUCTIONS

- Do not wear loose clothing or jewelry when servicing equipment; tie back long hair and avoid wearing loose jackets, shirts, sleeves, rings, necklaces or bracelets that could be caught in moving parts.
- Make sure all attaching hardware is properly tightened. Keep protective shields and guards in their respective places at all times.
- Do not check fluid levels or the drive belt's tension while the engine is operating.
- Stay clear of the drive shaft and the transmission coupling when the engine is running; hair and clothing can easily be caught in these rotating parts.

HAZARDOUS NOISE

 **WARNING: High noise levels can cause hearing loss!**

- Never operate an engine without its muffler installed.
- Do not run an engine with the air intake (silencer) removed.
- Do not run engines for long periods with their enclosures open.

 **WARNING: Do not work on machinery when you are mentally or physically incapacitated by fatigue!**

OPERATORS MANUAL

Many of the preceding safety tips and warnings are repeated in your Operators Manual along with other cautions and notes to highlight critical information. Read your manual carefully, maintain your equipment, and follow all safety procedures.

ENGINE INSTALLATIONS

Preparations to install an engine should begin with a thorough examination of the American Boat and Yacht Council's (ABYC) standards. These standards are a combination of sources including the USCG and the NFPA.

Sections of the ABYC standards of particular interest are:

- H-2 Ventilation
- P-1 Exhaust systems
- P-4 Inboard engines
- E-9 DC Electrical systems

All installations must comply with the Federal Code of Regulations (FCR).

ABYC, NFPA AND USCG PUBLICATIONS FOR INSTALLING DIESEL ENGINES

Read the following ABYC, NFPA and USCG publications for safety codes and standards. Follow their recommendations when installing your engine.

ABYC (American Boat and Yacht Council)
"Safety Standards for Small Craft"

Order from:

ABYC
15 East 26th Street
New York, NY 10010

NFPA (National Fire Protection Association)
"Fire Protection Standard for Motor Craft"

Order from:

National Fire Protection Association
11 Tracy Drive
Avon Industrial Park
Avon, MA 02322

USCG (United States Coast Guard)
"USCG 33CFR183"

Order from:

U.S. Government Printing Office
Washington, D.C. 20404

INSTALLATION

When installing WESTERBEKE engines and generators it is important that strict attention be paid to the following information:

CODES AND REGULATIONS

Strict federal regulations, ABYC guidelines, and safety codes must be complied with when installing engines and generators in a marine environment.

SIPHON-BREAK

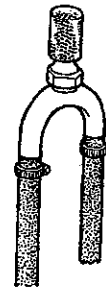
For installations where the exhaust manifold/water injected exhaust elbow is close to or will be below the vessel's waterline, provisions must be made to install a siphon-break in the raw water supply hose to the exhaust elbow. This hose must be looped a minimum of 20" above the vessel's waterline. *Failure to use a siphon-break when the exhaust manifold injection port is at or below the load waterline will result in raw water damage to the engine and possible flooding of the boat.*

If you have any doubt about the position of the water-injected exhaust elbow relative to the vessel's waterline under the vessel's various operating conditions, *install a siphon-break.*

NOTE: *A siphon-break requires periodic inspection and cleaning to ensure proper operation. Failure to properly maintain a siphon-break can result in catastrophic engine damage. Consult the siphon-break manufacturer for proper maintenance.*

EXHAUST SYSTEM

The exhaust hose must be certified for marine use. The system must be designed to prevent water from entering the exhaust under any sea conditions and at any angle of the vessels hull.



AVAILABLE FROM
YOUR WESTERBEKE
DEALER

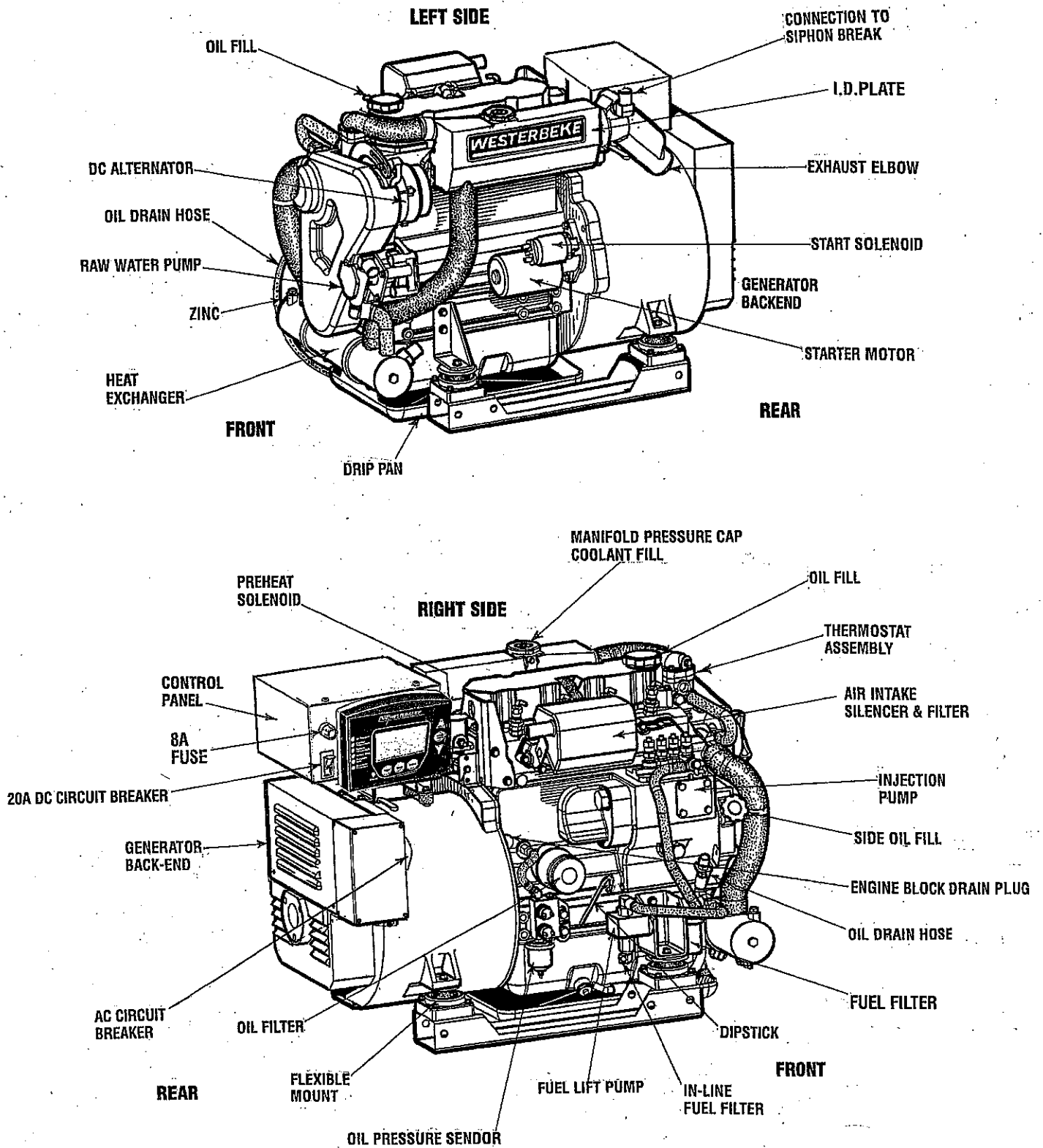
A detailed Marine Installation Manual covering gasoline and diesel engines and generators is supplied with every unit sold. This manual is also available in pdf format on our website to download

Website: www.westerbeke.com

TABLE OF CONTENTS

Parts Identification	2	Fuel Injection Timing	28
Introduction	3	Preparation	28
Warranty Procedures	3	Inspection	28
Serial Number Location	4	Adjustment	28
Fuel, Engine Oil, and Engine Coolant	5	Glow Plugs	29
Digital Control Panel	6	Starter Motor	30
LCD Sequence	6A	Emergency Start	31
Internal Components	7	Service	31
Remote Stop/Start Panel	8	Alternator Testing	32
Preparations for Initial Start-Up	9	Voltage Regulator	32
Pre-Start Inspection	9	Checking the Service Battery	34
Generator Voltage	9	Battery Care	34
Generator Break-In Procedure	10	Wiring Diagrams	
Daily Operation	19	#54193	35
Safety Shutdown Switches	10	#54655 - 24V	35A
High Exhaust Temperature Switch	11	#53477 - 24V	35B
DC Circuit Breaker	11	#54628	35C
Oil Pressure Sensor	11	#54680 - 24V	35D
Coolant Temperature Sensor	11	#52793	36
Break-In Procedure/Daily Operation	11A	Generator Information	37
Maintenance Schedule	12	BT Generator	38
Cooling System	14	Six and Twelve Stud Illustrations	38
Changing Coolant	14	BT Generator/Single Phase (6 Stud)	39
Thermostat	15	Internal Wiring Diagram	39
Raw Water Cooling Pump	15	Generator Voltage Adjustment	40
Changing the Raw Water Impeller	16	Six Stud Voltage Connections	40
Heat Exchanger	16	Twelve Stud Voltage Adjustment	40A
Air Intake/Silencer	17	No-Load Voltage Adjustment	41
Fuel System	18	Full Load Voltage Adjustment	41
Fuel Lift/Water Separator	18	AVR - Six Stud	42
Fuel Lift Pump	18	BT Generator Single Phase	42
Fuel Lift Pump Filter	18	Shore Power Connections	42
Fuel Filter	18	BT Generator AVR (Three Phase)	43
Engine Lubricating Oil	19	Internal Wiring Diagram	44
Engine Oil Change	19	Regulator Sensing Three Phase	45
Oil Pressure	20	Internal Wiring Diagram (12 Stud)	46
Testing Oil Pressure	20	BT Generator Troubleshooting Chart	47
Remote Oil Filter	21	Specifications (3 Cylinder Engine)	48
Engine Troubleshooting (Chart)	22	8.0/6.0Kw - 10.0/7.5Kw	49
LCD Display Faults	23	11.5/9.2Kw - 12.6/10.4Kw	50
Engine Adjustments	24	Specifications (4 Cylinder Engine)	51
Drive Belt Adjustmen	24	12.5/9.4Kw - 15.0/12.0Kw	52
Electronic Governor	24	Lay-Up and Recommissioning	53
Valve Clearance	25	Power Take-Off	55
Testing Engine Compression	26	Raw Water Discharge Hose	56
Fuel Injectors	26	Water Heater	57
Fuel Injectors	27	Metric Conversion Data	58
Injector Testing	28	Suggested Spare Parts	59
Spray Pattern	28		

PARTS IDENTIFICATION EDT GENERATOR



INTRODUCTION

This WESTERBEKE Diesel Generator is a product of WESTERBEKE's long years of experience and advanced technology. We take great pride in the superior durability and dependable performance of our engines and generators. Thank you for selecting WESTERBEKE.

In order to get the full use and benefit from your generator it is important that you operate and maintain it correctly. This manual is designed to help you do this. Please read this manual carefully and observe all the safety precautions throughout. Should your generator require servicing, contact your nearest WESTERBEKE dealer for assistance.

This is your operators manual. A parts catalog is also provided and a technical manual is available from your WESTERBEKE dealer. If you are planning to install this equipment contact your WESTERBEKE dealer for WESTERBEKE'S installation manual.

WARRANTY PROCEDURES

Your WESTERBEKE Warranty is included in a separate folder. If, after 60 days of submitting the Warranty Registry form you have not received a customer identification card registering your warranty, please contact the factory in writing with model information, including the unit's serial number and commission date.

Customer Identification Card



Customer Identification

MR. GENERATOR OWNER

MAIN STREET

HOMETOWN, USA

Model Ser. #

Expires

PRODUCT SOFTWARE

Product software, (tech data, parts lists, manuals, brochures and catalogs), provided from sources other than WESTERBEKE are not within WESTERBEKE's control.

WESTERBEKE CANNOT BE RESPONSIBLE FOR THE CONTENT OF SUCH SOFTWARE, MAKES NO WARRANTIES OR REPRESENTATIONS WITH RESPECT THERETO, INCLUDING ACCURACY, TIMELINESS OR COMPLETENESS THEREOF AND WILL IN NO EVENT BE LIABLE FOR ANY TYPE OF DAMAGE OR INJURY INCURRED IN CONNECTION WITH OR ARISING OUT OF THE FURNISHING OR USE OF SUCH SOFTWARE.

WESTERBEKE customers should also keep in mind the time span between printings of WESTERBEKE product software and the unavoidable existence of earlier WESTERBEKE manuals. In summation, product software provided with WESTERBEKE products, whether from WESTERBEKE or other suppliers, must not and cannot be relied upon exclusively as the definitive authority on the respective product. It not only makes good sense but is imperative that appropriate representatives of WESTERBEKE or the supplier in question be consulted to determine the accuracy and currentness of the product software being consulted by the customer.

NOTES, CAUTIONS AND WARNINGS

As this manual takes you through the operating procedures, maintenance schedules, and troubleshooting of your marine engine, critical information will be highlighted by NOTES, CAUTIONS, and WARNINGS. An explanation follows:


NOTE: *An operating procedure essential to note.*

CAUTION: *Procedures, which if not strictly observed, can result in the damage or destruction of your engine.*

WARNING: *Procedures, which if not properly followed, can result in personal injury or loss of life.*

INTRODUCTION

SERIAL NUMBER LOCATION

The units' model number and serial number are located on a nameplate that is mounted on the side of the engine's water jacketed exhaust manifold. The engine's serial number can also be found stamped into the engine block on the flat surface of the block just above the manual shut-off lever. Please take the time to enter this information on the illustration of the nameplate below. This information will provide a quick reference when seeking technical information and/or ordering spares/repair parts. 

SPECIFICATION	50 HZ.	60 HZ.
MODEL _____		
RPM _____		
KW _____		
KVA _____		
VOLTS _____		
AMPS _____		
ENG. HP _____		
ENG. SER. NO. _____		
GEN. SER. NO. _____		
PF/PHASE _____		/
WIRES _____		
RATING _____		
INSUL. CLASS _____		
TEMP. RISE _____		
BATTERY _____		
C.I.D. _____		



An identification plate on the engine manifold also displays the engine model and serial number.

CARBON MONOXIDE DETECTOR

WESTERBEKE recommends mounting a carbon monoxide detector in the vessels living quarters. **Carbon monoxide, even in small amounts, is deadly.**

The presence of carbon monoxide indicated an exhaust leak from the engine or generator or from the exhaust elbow/exhaust hose, or the fumes from a nearby vessel are entering your boat.

If carbon monoxide is present, ventilate the area with clean air and correct the problem immediately!

NOTE: A carbon monoxide warning decal has been provided by WESTERBEKE. Affix this decal in a visible position in the engine room.

UNDERSTANDING THE DIESEL ENGINE

The diesel engine closely resembles the gasoline engine, since the mechanism is essentially the same. The cylinders are arranged above a closed crankcase; the crankshaft is of the same general type as that of a gasoline engine; and the diesel engine has the same type of valves, camshaft, pistons, connecting rods and lubricating system.

Therefore, to a great extent, a diesel engine requires the same preventive maintenance as a gasoline engine. The most important factors are proper ventilation and proper maintenance of the fuel, lubricating and cooling systems. Replacement of fuel and lubricating filter elements at the time periods specified is a must, and frequent checking for contamination (that is, water, sediment, etc.) in the fuel system is also essential. Another important factor is the use of the same brand of high detergent diesel lubrication oil designed specifically for diesel engines.

The diesel engine does differ from the gasoline engine, however, in its method of handling and firing of fuel. The carburetor and ignition systems are done away with and in their place is a single component – the fuel injection pump which performs the function of both.

ORDERING PARTS

Whenever replacement/service parts are needed, always provide the generator model number, engine serial number, and generator serial number as they appear on the silver and black name plate located on the generator end. You must provide us with this information so we may properly identify your generator set. In addition, include a complete part description and part number for each part needed (see the separately furnished Parts List). Also insist upon WESTERBEKE packaged parts because *will fit* or generic parts are frequently not made to the same specifications as original equipment.

SPARES AND ACCESSORIES

Certain spares will be needed to support and maintain your WESTERBEKE generator. Your local WESTERBEKE dealer will assist you in preparing an inventory of spare parts. See the *SPARE PARTS* page in this manual. For Engine and Generator Accessories, see the *ACCESSORIES* brochure.

INSTALLATION MANUAL

Publication #43400 provides detailed information for installing generators.

DIESEL FUEL, ENGINE OIL AND ENGINE COOLANT

DIESEL FUEL

USE A DIESEL FUEL WITH A CETANE RATING OF #45 OR HIGHER.
(No. 2-D (SAE J313) diesel fuel according to ASTM D975).

Care Of The Fuel Supply

Use only clean diesel fuel! The clearance of the components in your fuel injection pump is very critical; invisible dirt particles which might pass through the filter can damage these finely finished parts. It is important to buy clean fuel, and keep it clean. The best fuel can be rendered unsatisfactory by careless handling or improper storage facilities. To assure that the fuel going into the tank for your engine's daily use is clean and pure, the following practice is advisable:

Purchase a well-known brand of fuel. Install and regularly service a good, visual-type fuel filter/water separator between the fuel tank and the engine. The Raycor 500 MA or 230 RMAM are good examples of such filters.

ENGINE OIL

Use a heavy duty engine oil with an API classification of CF, CG-4, CH-4 or CI-4. Change the engine oil and filter after an initial 50 hours of break-in operation. Then follow the oil and filter change intervals as specified in the **MAINTENANCE SCHEDULE** in this manual. Westerbeke Corporation does not approve or disapprove of the use of synthetic oils. If synthetic oils are used, engine break-in must be performed using conventional oil. Oil change intervals must be as in the **MAINTENANCE SCHEDULE**, not extended because synthetic oils are used.

SAE OIL VISCOSITY GRADES

For all temperatures use SAE 10W-30 or 15W-40.

OIL PRESSURE

The engine's oil pressure, during operation, is indicated by the oil pressure gauge on the instrument panel. During normal operation, the oil pressure will range between 35 and 65 psi (2.5 and 3.9 kg/cm²).

NOTE: A newly started, cold engine can have an oil pressure reading upwards of 60 psi (4.2 kg/cm²). A warmed engine can have an oil pressure reading as low as 25 psi (1.8 kg/cm²). These readings will vary depending upon the temperature of the engine, the load placed on the engine, and the RPM's.

ENGINE COOLANT

WESTERBEKE recommends a mixture of 50% antifreeze and 50% distilled water. Distilled water is free from the chemicals that can corrode internal engine surfaces.

The antifreeze performs double duty. It allows the engine to run at proper temperatures by transferring heat away from the engine to the coolant, and lubricates and protects the cooling circuit from rust and corrosion. Look for a good quality antifreeze that contains Supplemental Cooling Additives (SCAs) that keep the antifreeze chemically balanced, crucial to long term protection.

The distilled water and antifreeze should be premixed before being poured into the cooling circuit.

PURCHASING ANTIFREEZE

Rather than preparing the mixture, WESTERBEKE recommends buying the premixed antifreeze so that when adding coolant the mixture will always be correct. There are two common types of antifreeze, Ethylene Glycol (green) and Propylene Glycol (red/purple), either can be used but do not mix the two and if changing from one to another, flush the engine thoroughly.

Premixed antifreeze for DIESEL Engines:
Specification #ASTM D53456.

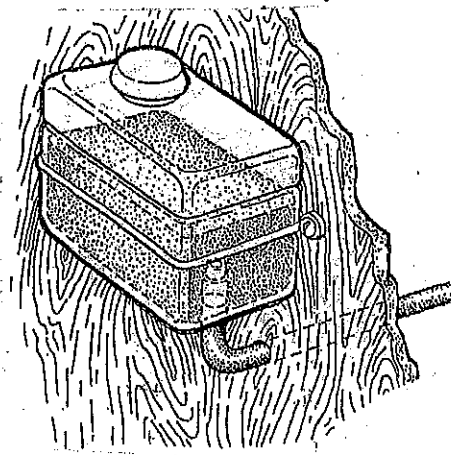
MAINTENANCE

Change the engine coolant every five years regardless of the number of operating hours as the chemical additives that protect and lubricate the engine have a limited life.

COOLANT RECOVERY TANK

A coolant recovery tank kit is supplied with each engine or generator. The purpose of this recovery tank is to allow for engine coolant expansion and contraction during engine operation, without the loss of coolant and without introducing air into the cooling system. This kit is provided and must be installed before operating the engine.

NOTE: This tank, with its short run of plastic hose, is best located at or above the level of the engine's manifold, but it can be located below the level of the engine's manifold if the particular installation makes this necessary.



DIGITAL CONTROL PANEL

DESCRIPTION

WESTERBEKE'S Digital Control Panel provides the operator with an LCD display that continuously monitors all the operations of the generator in easy to understand text messages.

CONTROL BOX

Note that the design and size of the control box will vary depending on the model generator.

LCD DISPLAY

Operating temperatures may cause the LCD display to vary in color. This is normal and a change in color will not affect the operation on the control panel.

Periodically clean the control panel LCD screen using a soft cloth.

UP AND DOWN ARROWS
WHEN THE LCD DISPLAY IS IN ITS SCROLL MODE, THE UP AND DOWN ARROWS CAN BE USED TO ADJUST THE DARK AND LIGHT CONTRAST

UP-ARROW
WHEN IN SCROLL LOCK MODE INDIVIDUAL FUNCTIONS CAN BE MONITORED BY PRESSING THE UP-ARROW.

SCROLL LOCK
STOPS RUN SEQUENCE SO THAT A SINGLE FUNCTION CAN BE MONITORED

DOWN-ARROW
WHEN IN SCROLL LOCK MODE INDIVIDUAL FUNCTIONS CAN BE MONITORED BY PRESSING THE DOWN-ARROW.

8A FUSE

PROTECTS THE CONTROL PANEL ELECTRONICS FROM A HIGH AMPERAGE OVERLOAD.

INDICATOR LIGHTS

SIX LIGHTS THAT INDICATE WHERE A FAULT HAS OCCURED.

20A BREAKER SWITCH

SHUT-OFF WHEN PERFORMING MAINTENANCE OR WHEN REPAIRING A FAULT. RESET TO RESTART THE ENGINE.

FAILURE LIGHT

A RED LIGHT WILL APPEAR IF THE RUN SEQUENCE IS INTERRUPTED BY A FAILURE.

START BUTTON

STARTS THE ENGINE

STOP BUTTON*

STOPS THE ENGINE

PRIME BUTTON

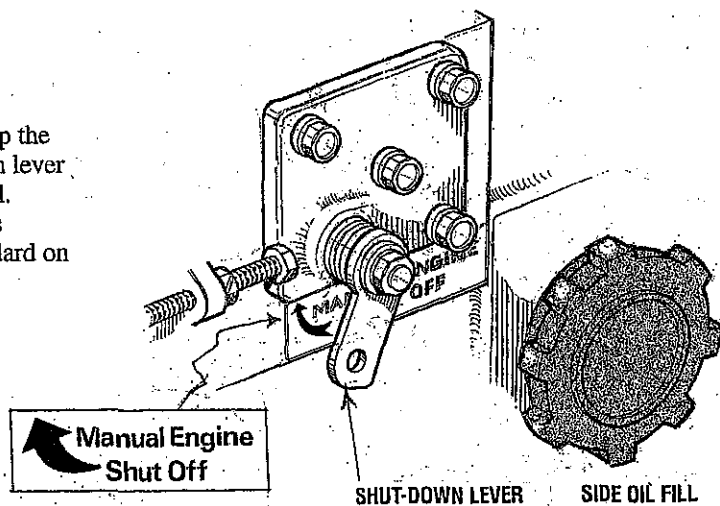
THIS BUTTON ENERGIZES THE FUEL PUMP. AFTER REPAIRING A FAILURE OR PERFORMING MAINTENANCE, PRESSING THIS BUTTON WILL PURGE AIR OUT AND BRING FUEL IN TO THE LINES.

LCD DISPLAY SEQUENCE

IS SHOWN ON THE FOLLOWING PAGE

*MANUAL ENGINE SHUT-OFF

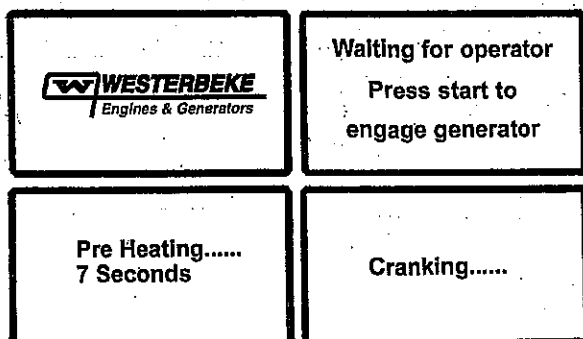
Should the stop button fail in its normal function to stop the engine, the engine is equipped with a manual shutdown lever located on the engine block to the left of the side oil fill. Simply hold down the lever to the left until the engine comes to a complete stop. This shutdown lever is standard on current D-Net generators.



DIGITAL CONTROL PANEL / LCD SEQUENCE

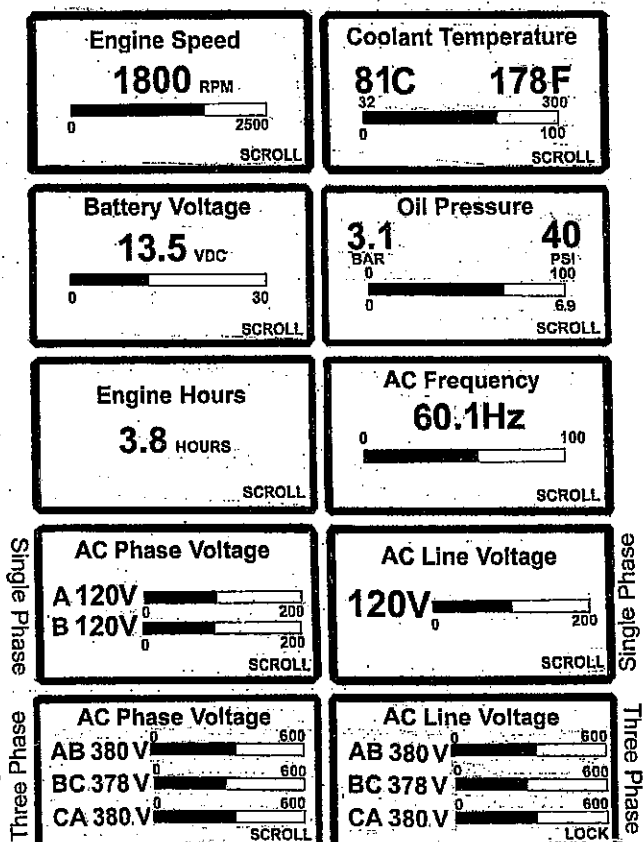
START SEQUENCE

With the pre-start inspection completed, press the START button and the automatic sequence will begin. The six indicator lights will illuminate green and the panel will display the following text:



RUN SEQUENCE

As the display cycles thru the engine functions, the speed will come up to 1800 rpms-60Hz (1500 rpms-50Hz) and the oil pressure and engine coolant will rise to their normal readings. The functions will cycle in the following sequence:

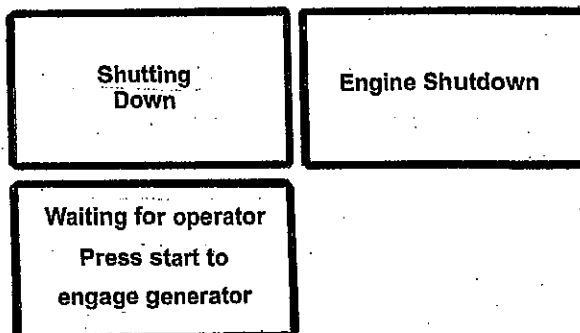


SCROLL LOCK

To stop the continuing sequence, press the SCROLL LOCK button. This enables the operator to monitor a single function for any length of time. The word LOCK will appear in the corner. Use the up and down arrows to find and observe other functions. To resume scrolling, press the SCROLL LOCK button again.

STOP SEQUENCE

To stop the generator, press the STOP button. The display will cycle thru the following text messages and shutdown.



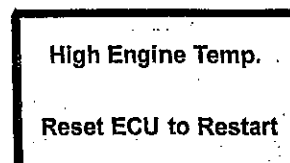
FAILURE LIGHT/SHUTDOWN

If a problem occurs, the generator will shutdown and the FAILURE light will illuminate red. In addition, one of the indicator lights will change from green to orange to reveal where the trouble has occurred and the display will text message what has happened.

Examples:

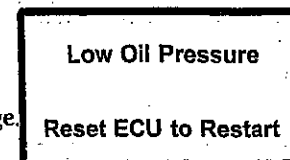
Failure Light is red.

Coolant Temperature Light is orange.



Failure Light is red.

Oil Pressure Light is orange.



When a failure occurs, refer to the troubleshooting chart, wiring diagram, and general operating text in this manual to assist in solving the trouble.

There are many combinations of messages that can be displayed but they are all self explanatory and the operator can easily isolate and correct the problem should one occur.

Before re-starting the generator, the 20 amp DC circuit breaker must be reset. With the problem corrected and the generator started, the sequences will begin cycling again.

NOTE: Three phase voltages will vary depending on the AC output configuration of the generator.

DIGITAL CONTROL BOX

FREQUENCY FAULT

Frequency is displayed on the LCD display screen while the engine is running in RPM and frequency (hertz).

The ECU is receiving a low AC voltage signal and hertz signal from the MPU which is positioned on the bellhousing over the flywheel ring gear teeth. The ECU interprets this signal as both RPM and hertz.

Should this signal vary approximately 2% either up or down, a frequency fault shut down will occur, initiated by the ECU. The red failure LED on the display panel will illuminate, the frequency LED will turn from green to amber and the LCD display screen will show the fault text "overspeed".

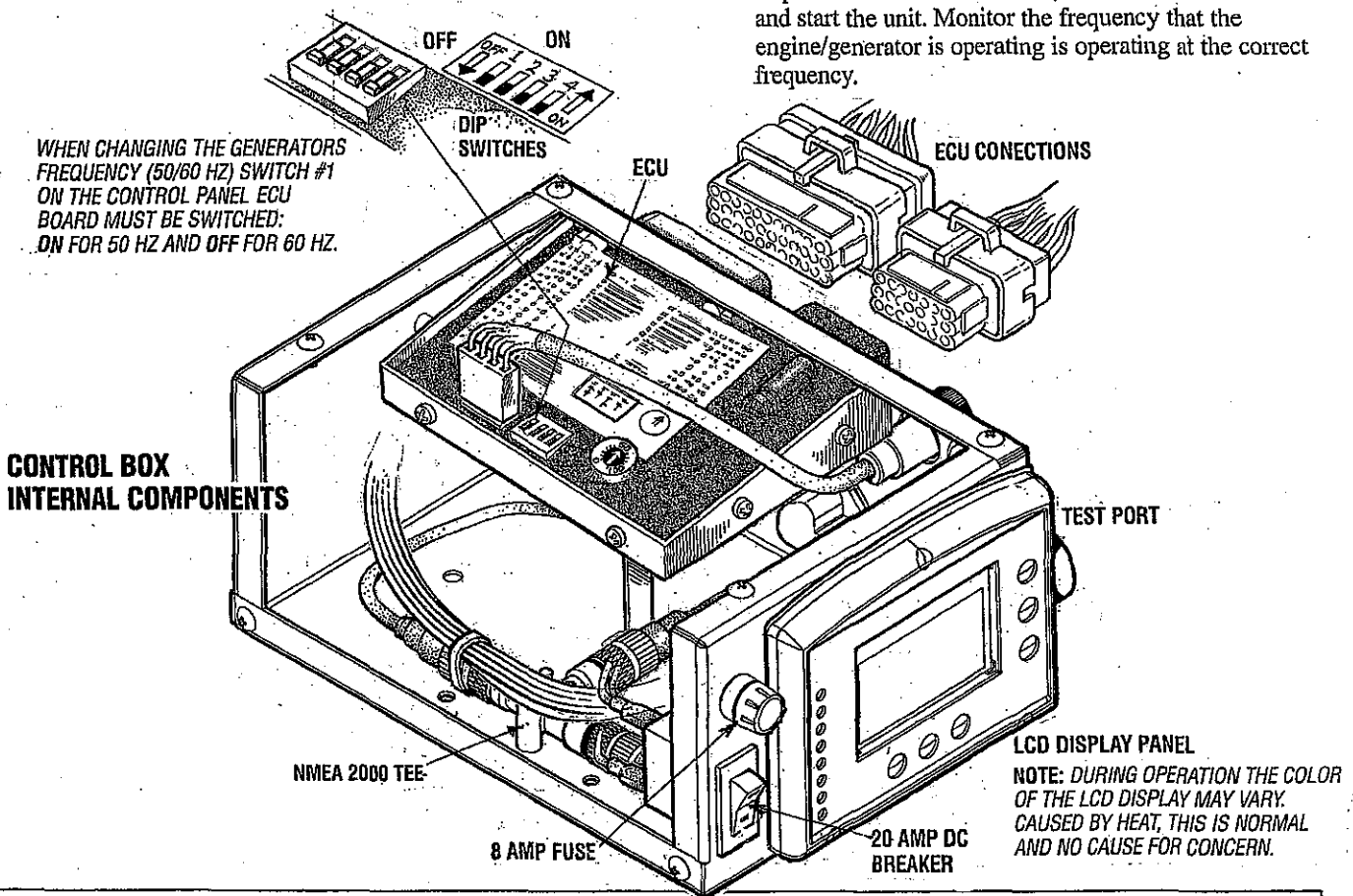
NOTE: If the unit shuts down for an underspeed condition, the same fault "overspeed" will show on the screen but the frequency LED will BLINK.

GENERATOR FREQUENCY ADJUSTMENT (HERTZ)

CAUTION: When changing the generator frequency setting on the ECU, turn off the 20 amp DC circuit breaker on the control box. Turn it back on after the setting has been changed.

NOTE: If the unit shuts down for an underspeed condition, the same fault "overspeed" will show on the screen but the frequency LED will BLINK.

1. Turn the DC breaker on the control panel to the OFF position.
2. Open the cover of the control box and view the ECU (Electronic Control Unit).
3. Locate the #1 dipswitch on the ECU and move it to the position that corresponds to the Hertz operation desired). See the illustration below showing the ECU in the control box.
4. Replace the control box cover, turn the DC breaker ON and start the unit. Monitor the frequency that the engine/generator is operating at the correct frequency.



CAUTION (WESTERLINK or NMEA-2000): The electronic components in the Digital Diesels draw a very small amount of amperage (milli-amps) from the generator's starting battery when the unit is in a static state. This maybe as much as 50 milli-amps for the system ECU and 50 milli-amps for each display. This can be as much as 72 amp-hours in a months time with no generator use. It is not necessary to be concerned with this slight amperage draw during normal seasonal use. However, if the generator set is not to be used for a number of months, such as winter storage, it is best to disconnect the DC power to the generator with a NMEA-2000 system or shut off the DC breaker on the generator's control box for a WESTERLINK system.

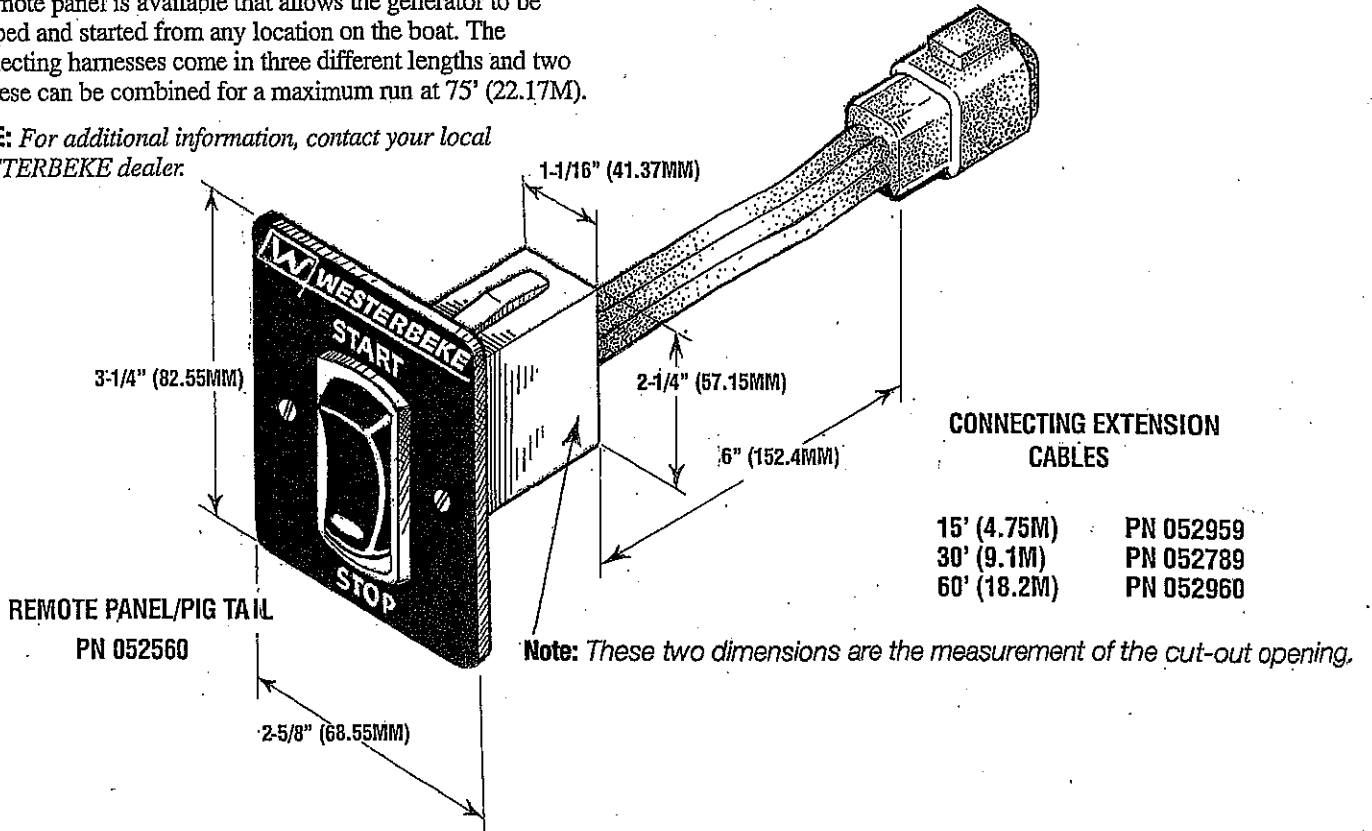
NOTE: Keep in mind that the Westerbeke generator maybe the DC power supply for the vessel's NMEA-2000 network.

REMOTE STOP/START PANEL AND EXTENSION HARNESES

DESCRIPTION

A remote panel is available that allows the generator to be stopped and started from any location on the boat. The connecting harnesses come in three different lengths and two of these can be combined for a maximum run at 75' (22.17M).

NOTE: For additional information, contact your local WESTERBEKE dealer.



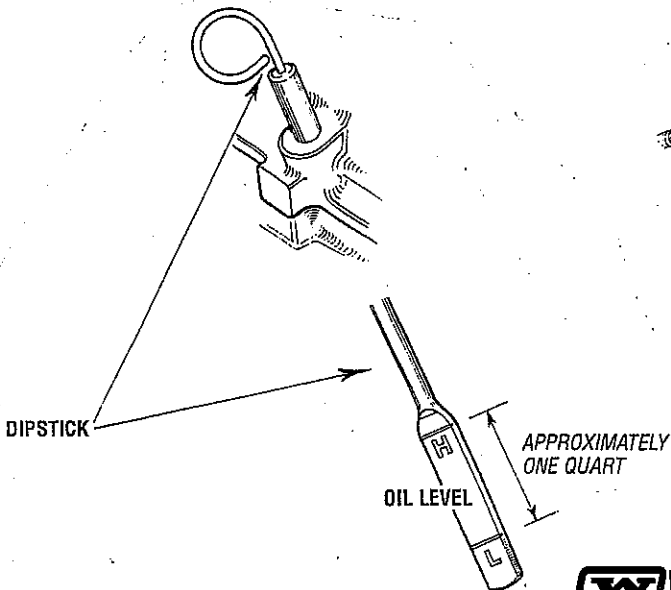
PREPARATIONS FOR INITIAL STARTUP

PRESTART INSPECTION

This section of the manual provides the operator with preparation, initial starting, break-in, starting (warm or cold) and stopping procedures. Follow the procedures as presented for the conditions indicated and your WESTERBEKE generator set will give reliable performance and long service life.

Before starting your generator set for the first time or after a prolonged layoff, check the following items:

- Check the engine oil level. Add oil to maintain the level at the high mark on the dipstick.
- Check the fuel supply and examine the fuel filter/separator bowls for contaminants.
- Check the DC electrical system. Inspect wire connections and battery cable connections. Make certain the (+) battery cable is connected to the starter solenoid and the negative (-) cable is connected to the engine ground stud (this location is tagged).
- Check the coolant level in both the plastic recovery tank and at the manifold.
- Visually examine the unit. Look for loose or missing parts, disconnected wires, unattached hoses, and check threaded connections.
- Check load leads for correct connection as specified in the wiring diagrams.
- Examine air inlet and outlet for air flow obstructions.
- Be sure no other generator or utility power is connected to load lines.
- Be sure that in power systems with a neutral line that the neutral is properly grounded (or ungrounded) as the system requires, and that generator neutral is properly connected to the load neutral. In single phase and some 3-phase systems an incomplete or open neutral can supply the wrong line-to-neutral voltage on unbalanced loads.
- Make sure the mounting installation is secure.
- Make sure that the generator is properly grounded.



CAUTION: When starting the generator, it is recommended that all AC loads, especially large motors, be switched OFF until the engine has come up to speed and, in cold climates, starts to warm up. This precaution will prevent damage caused by unanticipated operation of the AC machinery and will prevent a cold engine from stalling.

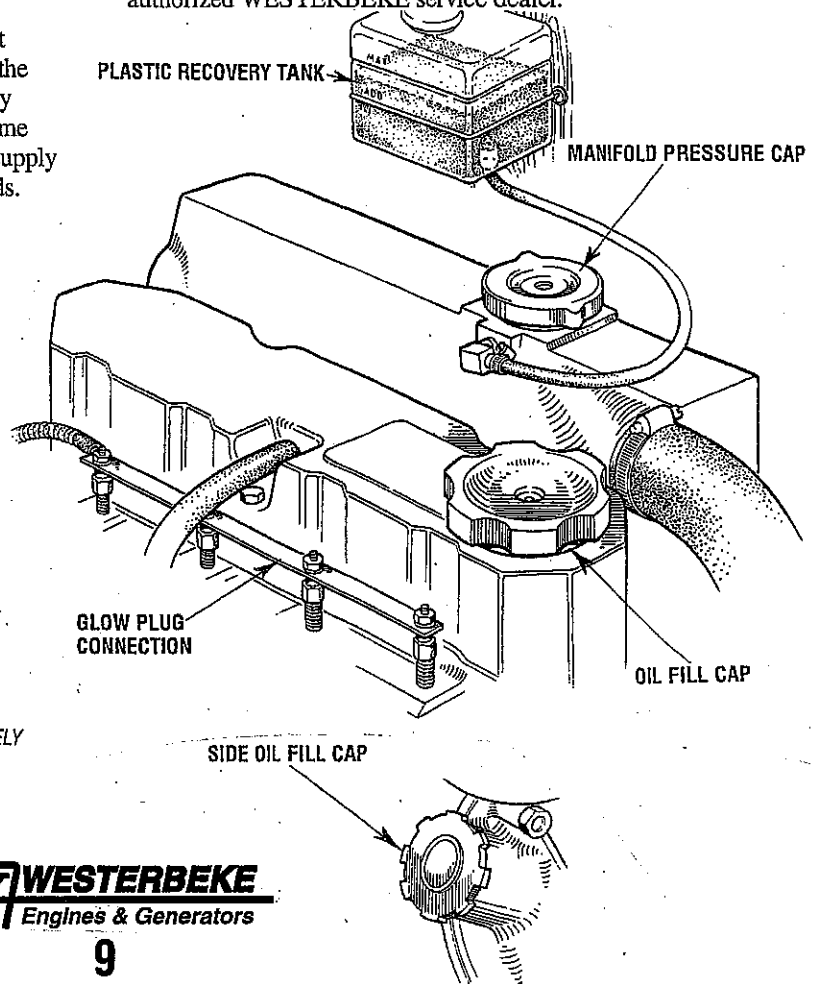
GENERATOR VOLTAGE

The speed of the generator engine is adjusted at the factory, however, it is advisable to verify.

60 Hz The engine no-load speed is set at 61.0 - 60.5 Hz. At rated amperage, hertz output may decrease to 59.5 - 60.0 Hz.

50 Hz The engine no-load speed is set at 50.0 - 50.3 Hz. At rated amperage, hertz output may decrease to 49.5 - 50.0 Hz.

The speed of the generator engine is adjusted at the factory, however it is advisable to verify. The voltages are easily adjusted to optimum values no-load and full load (refer to **VOLTAGE ADJUSTMENT** in this manual). If possible, apply actual service or test load of the same power factor as the load to be used in service. If the voltage cannot be adjusted to suitable values and fault seems evident, contact your authorized WESTERBEKE service dealer.



WESTERBEKE
Engines & Generators

GENERATOR BREAK-IN PROCEDURE

DESCRIPTION

Although your engine has experienced a minimum of one hour of test operations at the factory to make sure accurate assembly procedures were followed and that the engine operated properly, a break-in time is required. The service life of your engine is dependent upon how the engine is operated and serviced during its initial hours of use.

Breaking-in a new engine basically involves seating the piston rings to the cylinder walls. Excessive oil consumption and smoky operation indicate that the cylinder walls are glazed or scored, which is caused by overloading the engine during the break-in period.

Your new engine requires approximately 50 hours of initial conditioning operation to break in each moving part in order to maximize the performance and service life of the engine. Perform this conditioning carefully, keeping in mind the following:

Start the engine according to the *STARTING PROCEDURE* section. Run the engine while checking that all systems (raw water pump, oil pressure, battery charging) are functioning.

AFTER START-UP

Once the generator has been started, check for proper operation and then encourage a fast warm-up. Run the generator between 20% and 60% of full-load for the first 10 hours.

After the first 10 hours of the generator's operation, the load can be increased to the full-load rated output, then periodically vary the load.

Avoid overload at all times. An overload is signaled by smoky exhaust with reduced output voltage and frequency. Monitor the current being drawn from the generator and keep it within the generator's rating. Since the generator operates at 1800 rpm to produce 60 hertz (or at 1500 rpm to produce 50 Hertz), control of the generator's break-in is governed by the current drawn from the generator.

NOTE: *Be aware of motor starting loads and the high current draw required for starting motors. This starting amperage draw can be 3 to 5 times normal running amperage. See GENERATOR INFORMATION in this manual.*

GENERATOR ADJUSTMENTS

Once the generator has been placed into operation (commissioned), there maybe the need to adjust the generator's no-load AC voltage output. See *GENERATOR INFORMATION*.

THE DAILY ROUTINE

CHECK LIST

Follow this check list each day before starting your generator.

- Check that all generator circuit breakers (power panel) are in the off position before starting.
- Record the hourmeter reading in your log (engine hours relate to the maintenance schedule.)
Any deficiency or problems in the following items must be corrected before start up.
- Visually inspect the engine for fuel, oil, or water leaks.
- Check the oil level (dipstick).
- Check the coolant level in the coolant recovery tank.
- Check your fuel supply.
- Check the starting batteries (weekly).
- Check drive belts for wear and proper tension (weekly).

CHECK WITH THE ENGINE RUNNING.

- Check for abnormal noise such as knocking, vibrating and blow-back sounds.
- Confirm exhaust smoke:
When the engine is cold - White Smoke.
When the engine is warm - almost Smokeless.
When the engine is overloaded - some Black Smoke.

NOTE: *Some unstable running may occur in a cold engine. This condition should abate as normal operating temperature is reached and loads are applied.*

⚠ CAUTION: *Do not operate the generator for long periods of time without a load being placed on the generator.*

STOPPING THE GENERATOR

Remove the AC loads from the generator one at a time. Allow the generator to run for 3-5 minutes to stabilize the operating temperature, then turn the key to the off position. Once the generator is shutdown, close down all circuit breakers as a safety precaution.

CAUTION (WESTERLINK or NMEA-2000): *The electronic components in the Digital Diesels draw a very small amount of amperage (milli-amps) from the generator's starting battery when the unit is in a static state. This maybe as much as 50 milli-amps for the system ECU and 50 milli-amps for each display. This can be as much as 72 amp-hours in a months time with no generator use. It is not necessary to be concerned with this slight amperage draw during normal seasonal use. However, if the generator set is not to be used for a number of months, such as winter storage, it is best to disconnect the DC power to the generator with a NMEA-2000 system or shut off the DC breaker on the generator's control box for a WESTERLINK system.*

NOTE: *Keep in mind that the Westerbeke generator maybe the DC power supply for the vessel's NMEA-2000 network.*

SAFETY SHUTDOWN SWITCHES

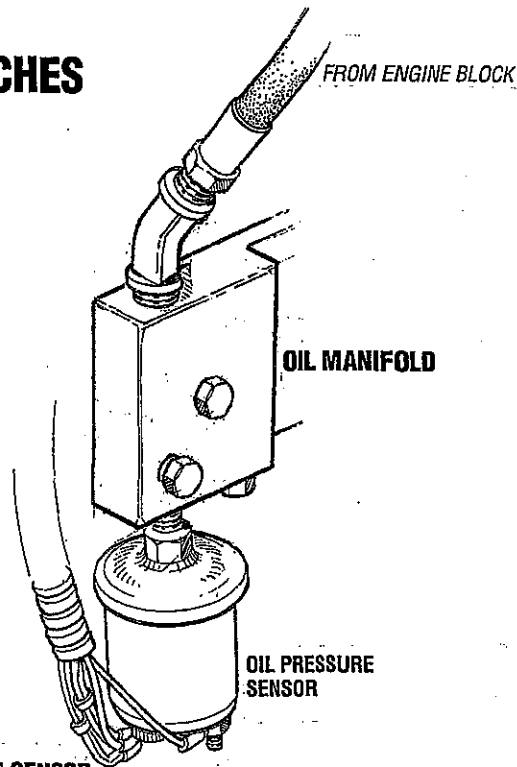
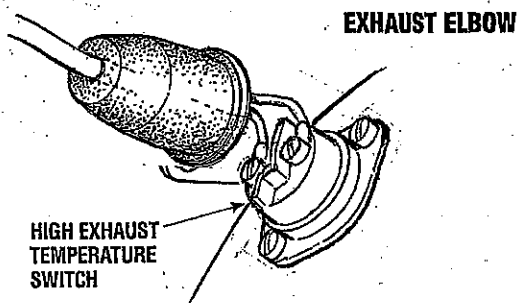
SAFETY SHUTDOWN SWITCHES

The "ENGINE" is protected by four automatic shutdown switches. Should shutdown occur, *do not attempt to restart before correcting the cause as shown on the LCD Display screen.*

The following is a description of these automatic shutdown switches.

HIGH EXHAUST TEMPERATURE SWITCH

An exhaust temperature switch is located on the water injected exhaust elbow. Normally closed contacts, this switch will open and signal the ECU (shutting off the engine) should the switch sense a high exhaust temperature (an inadequate supply of raw water causes a high exhaust temperature in this mixing elbow). This switch opens at 270°F (151°C). This contact resets at approximately 195°F (126°C).

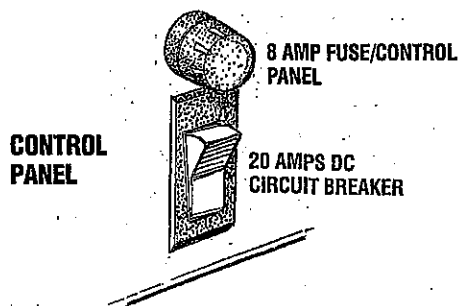


OIL PRESSURE SENSOR

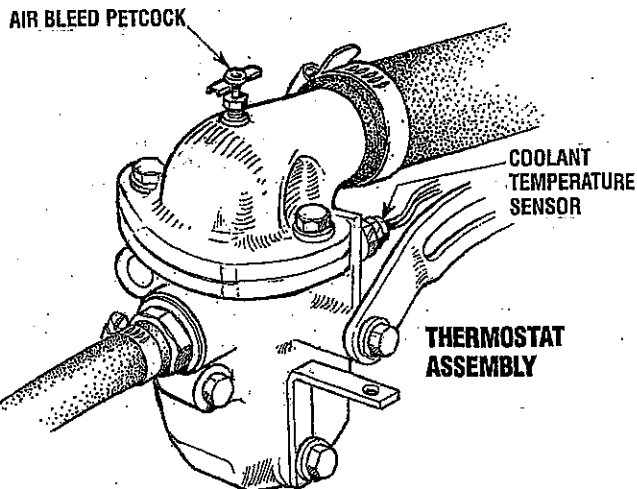
An oil pressure sensor is mounted on the oil manifold for the engine. It sends a voltage signal to the ECU that is interpreted as pressure. Should this signal fall below a set point in the ECU. The ECU will open the K2 run relay shutting the unit down. It will then display the fault on the LCD Display screen. Engine oil pressure dropping 10 - 15 psi will cause this to occur.

ENGINE DC CIRCUIT BREAKER

The generator's DC electrical circuit is protected by a control panel mounted manually resettable rocker type circuit breaker (20 amps DC). Excessive current draw or DC electrical overload anywhere in the control panel wiring or engine wiring will cause the breaker to trip. In this event the generator will shut down. The breaker will trip to the off position indicating this fault and the LCD Display screen will be off. The DC circuit on the unit will be inoperative. If this should occur, check and repair the source of the problem.. After repairing the fault, reset the breaker and restart the generator.



CAUTION: When servicing or replacing DC components, turn off the 20A DC circuit breaker.



ANTIFREEZE COOLANT TEMPERATURE SENSOR

An antifreeze coolant temperature sensor is located in the thermostat housing base. This sends an electrical signal to the ECU that it interprets as temperature. Should the voltage signal reach a set point where the ECU interprets an overheat condition existing. The ECU will open the K2 run relay shutting the unit down and displaying the fault on the LCD display screen. This will happen should the antifreeze coolant temperature reach approximately 210°F (99°C).

BREAK-IN PROCEDURE/DAILY OPERATION

BREAK-IN PROCEDURE

After the generator has been started, check for proper operation and then encourage a fast warm-up. Run the generator between 20% to 60% of full load for the first 10 hours.

CAUTION: Do not attempt to break-in your generator by running without a load.

After the first 10 hours of the generators' operation, the load can be increased to the full-load rated output; then periodically vary the load.

Avoid overload at all times. An overload is signaled by a smoky exhaust with reduced output voltage and frequency. Monitor the current being drawn from the generator and keep it within the generators' rating.

NOTE: Be aware of motor starting loads and the high current drawn required for starting motors. This starting amperage drawn can be 3 to 5 times normal running amperage. See *GENERATOR INFORMATION* in this manual.

CHECK LIST

Follow this check list each day before starting your generator.

- Record the hourmeter reading in your log (engine hours relate to the maintenance schedule).
- Visually inspect the engine for fuel, oil or water leaks.
- Check the oil level (dipstick).
- Check your diesel fuel supply.
- Check the starting batteries (weekly).
- Check for abnormal noise such as knocking, vibration and blowby sounds.
- Confirm exhaust smoke:
 - When the engine is cold – White Smoke.
 - When the engine is warm – almost Smokeless.
 - When the engine is overloaded – some Black Smoke.
- Make sure the cooling water is discharging properly, outboard from the exhaust outlet.

NOTE: After the first 20 hours of generator operation, check the maintenance schedule for the 20-hour service check.

NOTE: Some unstable running may occur in a cold engine. This condition should abate as normal operating temperature is reached and loads are applied.

CAUTION: Do not operate the generator for long periods of time without a load being placed on the generator.

STOPPING THE GENERATOR*

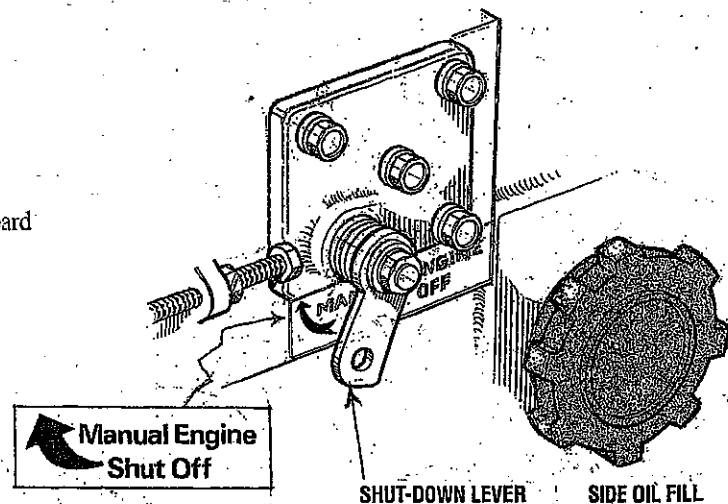
Remove the AC loads from the generator one at a time. Allow the generator to run for 3–5 minutes to stabilize the operating temperature, then press the STOP button; shutdown is automatic.

GENERATOR ADJUSTMENTS

Once the generator has been placed in operation, there may be governor adjustments required for engine speed (hertz) during the engine's break-in period (first 50 hours) or after this period (see *ENGINE SPEED (HERTZ) ADJUSTMENT*) under *ENGINE ADJUSTMENTS*. A no-load voltage adjustment may also be required in conjunction with the engine's speed adjustment (see *GENERATOR INFORMATION*).

* MANUAL ENGINE SHUT-OFF

Should the stop button on the control panel fail in its normal function to stop the engine, the engine is equipped with a manual shutdown lever located on the engine block just above the side oil fill. Simply hold down the lever to the left until the engine comes to a complete stop.



MAINTENANCE SCHEDULE

⚠ WARNING: *Never attempt to perform any service while the engine is running. Wear the proper safety equipment such as goggles and gloves, and use the correct tools for each job. Disconnect the battery terminals when servicing any of the engine's DC electrical equipment.*

NOTE: *Many of the following maintenance jobs are simple but others are more difficult and may require the expert knowledge of a service mechanic.*

SCHEDULED MAINTENANCE	CHECK EACH DAY	HOURS OF OPERATION							EXPLANATION OF SCHEDULED MAINTENANCE
		50	100	250	500	750	1000	1250	
Fuel Supply	<input type="checkbox"/>								Diesel No. 2 rating of 45 cetane or higher.
Fuel/Water Separator	<input type="checkbox"/>								Check for water and dirt in fuel (drain/replace filter if necessary).
Engine Oil Level	<input type="checkbox"/>								Oil level should indicate between MAX. and LOW on dipstick.
Coolant Level	<input type="checkbox"/>								Check at recovery tank; if empty, check at manifold. Add coolant if needed.
Drive Belts	<input type="checkbox"/> weekly								Inspect for proper tension (3/8" to 1/2" deflection) and adjust if needed. Check belt edges for wear.
Visual Inspection of Engine	<input type="checkbox"/>	NOTE: <i>Please keep engine surface clean. Dirt and oil will inhibit the engine's ability to remain cool.</i>							Check for fuel, oil and water leaks. Inspect wiring and electrical connections. Keep bolts & nuts tight. Check for loose belt tension.
Fuel Filter/Inlet Filter		<input type="checkbox"/>		<input type="checkbox"/>	<input type="checkbox"/>	<input type="checkbox"/>		<input type="checkbox"/>	Initial change at 50 hrs, then change every 250 hrs.
Starting Batteries (and House Batteries)	<input type="checkbox"/> weekly								Every 50 operating hours check electrolyte levels and make sure connections are very tight. Clean off excessive corrosion.
Engine Oil (and filter)		<input type="checkbox"/>	<input type="checkbox"/>	<input type="checkbox"/>	<input type="checkbox"/>	<input type="checkbox"/>	<input type="checkbox"/>	<input type="checkbox"/>	Initial engine oil & filter change at 50 hrs., then change both every 100 hours.
Generator		<input type="checkbox"/>	<input type="checkbox"/>	<input type="checkbox"/>	<input type="checkbox"/>	<input type="checkbox"/>	<input type="checkbox"/>	<input type="checkbox"/>	Check that AC connections are clean and secure with no chafing. See <i>GENERATOR SECTION</i> for additional information.
Heat Exchanger Zinc Anode		<input type="checkbox"/>	<input type="checkbox"/>	<input type="checkbox"/>	<input type="checkbox"/>	<input type="checkbox"/>	<input type="checkbox"/>	<input type="checkbox"/>	Inspect zinc anode, replace if needed, clear the heat exchanger end of zinc anode debris.
Fuel/Water Separator			<input type="checkbox"/>	<input type="checkbox"/>	<input type="checkbox"/>	<input type="checkbox"/>	<input type="checkbox"/>	<input type="checkbox"/>	Change the filter and/or drain water every 200 hrs.
Exhaust System		<input type="checkbox"/>		<input type="checkbox"/>		<input type="checkbox"/>		<input type="checkbox"/>	Initial check at 50 hrs., then every 250 hrs. Inspect for leaks. Check anti-siphon valve operation. Check the exhaust elbow for carbon and/or corrosion buildup on inside passages; clean and replace as necessary. Check that all connections are tight.
Engine Hoses			<input type="checkbox"/>	<input type="checkbox"/>	<input type="checkbox"/>	<input type="checkbox"/>	<input type="checkbox"/>	<input type="checkbox"/>	Hose should be hard & tight. Replace if soft or spongy. Check and tighten all hose clamps.

MAINTENANCE SCHEDULE

NOTE: Use the engine hour meter gauge to log your engine hours or record your engine hours by running time.

SCHEDULED MAINTENANCE	CHECK EACH DAY	HOURS OF OPERATION							EXPLANATION OF SCHEDULED MAINTENANCE
		50	100	250	500	750	1000	1250	
Raw Water Pump <i>At 750 operating hours, disassemble and inspect for overhaul.</i>				<input type="checkbox"/>		<input type="checkbox"/>		<input type="checkbox"/>	Remove the pump cover and impeller. Inspect the impeller, cam, cover and inner wear plate for wear. Inspect housing weep holes for signs of shaft water seal or oil leaks. Check shaft bearings (the shaft should turn, not wobble).
Raw Water Pump Drive					<input type="checkbox"/>		<input type="checkbox"/>		Remove pump and inspect pump shaft and drive slot for wear.
Air Inlet Filter			<input type="checkbox"/>	<input type="checkbox"/>	<input type="checkbox"/>	<input type="checkbox"/>	<input type="checkbox"/>	<input type="checkbox"/>	Inspect every 100 hours. Remove and clean. Replace as needed.
Coolant System					<input type="checkbox"/>		<input type="checkbox"/>		Drain, flush, and refill cooling system with appropriate antifreeze mixture compatible with various cooling system metals.
Electric Fuel Lift Pump		<input type="checkbox"/>		<input type="checkbox"/>	<input type="checkbox"/>	<input type="checkbox"/>	<input type="checkbox"/>	<input type="checkbox"/>	Periodically check the wiring connections and inspect the fuel line connections.
DC Alternator				<input type="checkbox"/>		<input type="checkbox"/>		<input type="checkbox"/>	Check DC charge from alternator. Check mounting bracket; tighten electrical connections.
*Fuel Injectors						<input type="checkbox"/>			Check and adjust injection opening pressure and spray condition (see <i>ENGINE ADJUSTMENTS</i>).
*Starter Motor					<input type="checkbox"/>			<input type="checkbox"/>	Check solenoid and motor for corrosion. Remove and lubricate. Clean and lubricate the starter motor pinion drive.
*Preheat Circuit					<input type="checkbox"/>			<input type="checkbox"/>	Check operation of preheat solenoid. Remove and clean glow plugs; check resistance (0.4-0.6 ohms). Reinstall with anti seize compound on threads.
*Engine Cylinder Compression					<input type="checkbox"/>			<input type="checkbox"/>	Check compression pressure and timing (see <i>Engine Adjustments</i>).
*Torque Cylinder Head Hold-down bolts		<input type="checkbox"/>			<input type="checkbox"/>		<input type="checkbox"/>		At first 50 hours, then every 500 hours (see <i>ENGINE ADJUSTMENTS</i>).
*Adjust the Valve Clearances		<input type="checkbox"/>			<input type="checkbox"/>		<input type="checkbox"/>		Adjust Valve Clearances (see <i>ENGINE ADJUSTMENTS</i>).
*Heat Exchanger							<input type="checkbox"/>		Remove, have professionally cleaned and pressure tested.

*WESTERBEKE recommends this service be performed by an authorized mechanic.

CAUTION (WESTERLINK or NMEA-2000): The electronic components in the Digital Diesels draw a very small amount of amperage (milli-amps) from the generator's starting battery when the unit is in a static state. This maybe as much as 50 milli-amps for the system ECU and 50 milli-amps for each display. This can be as much as 72 amp-hours in a months time with no generator use. It is not necessary to be concerned with this slight amperage draw during normal seasonal use. However, if the generator set is not to be used for a number of months, such as winter storage, it is best to disconnect the DC power to the generator with a NMEA-2000 system or shut off the DC breaker on the generator's control box for a WESTERLINK system.

NOTE: Keep in mind that the Westerbeke generator maybe the DC power supply for the vessel's NMEA-2000 network.

CAUTION: When servicing/changing DC components, the DC power must be turned off using either the DC breaker or the battery switch.

COOLING SYSTEM

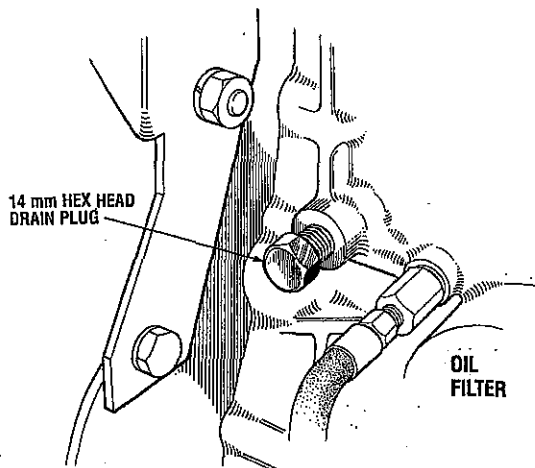
DESCRIPTION

Westerbeke marine diesel engines are designed and equipped for fresh water cooling. Heat produced in the engine by combustion and friction is transferred to fresh water coolant which circulates throughout the engine. This circulating fresh water coolant cools the engine block, its internal moving parts, and the engine oil. The heat is transferred externally from the fresh water coolant to raw water by means of a heat exchanger, similar in function to an automotive radiator. Raw water flows through the tubes of the heat exchanger while fresh water coolant flows around the tubes; engine heat transferred to the fresh water coolant is conducted through the tube walls to the raw water which is then pumped into the exhaust system where finally it is discharged overboard. In other words, the engine is cooled by fresh water coolant, this coolant is cooled by raw water, and the raw water carries the transferred heat overboard through the exhaust system. The fresh water coolant and raw water circuits are independent of each other. Using only fresh water coolant within the engine allows the cooling water passages to stay clean and free from harmful deposits.

FRESH WATER COOLING CIRCUIT

NOTE: Refer to the *ENGINE COOLANT* section for the recommended antifreeze and water mixture to be used as the fresh water coolant.

Fresh water coolant is pumped through the engine by a circulating pump, absorbing heat from the engine. The coolant then passes through the thermostat into the manifold, to the heat exchanger where it is cooled, and returned to the engine block via the suction side of the circulating pump.



ENGINE BLOCK COOLANT DRAIN

When the engine is started cold, external coolant flow is prevented by the closed thermostat (although some coolant flow is bypassed around the thermostat to prevent the exhaust manifold from overheating). As the engine warms up, the thermostat gradually opens, allowing full flow of the engine's coolant to flow unrestricted to the external portion of the cooling system.

Coolant Recovery Tank

A coolant recovery tank allows for engine coolant expansion and contraction during engine operation, without any significant loss of coolant and without introducing air into the cooling system. This tank should be located at or above the engine manifold level and should be easily accessible.

CHANGING THE ANTIFREEZE COOLANT

The engine's antifreeze coolant must be changed according to the *MAINTENANCE SCHEDULE*. If the coolant is allowed to become contaminated or lose its protection ability, overheating issues can result as well as external cylinder erosion and can cause the raw water pump shaft seals to leak.

⚠ WARNING: Beware of the hot engine coolant. Wear protective gloves.

Drain the engine antifreeze coolant by removing the block drain plug and opening the drain petcock plug on the lower side of the heat exchanger along with removal of the pressure cap on the water jacketed exhaust manifold. Flush the system with fresh clean water, then start the refill process.

⚠ CAUTION: Proper cooling system maintenance is critical; a substantial number of engine failures can be traced back to cooling system corrosion.

COOLING SYSTEM

Refilling the Coolant

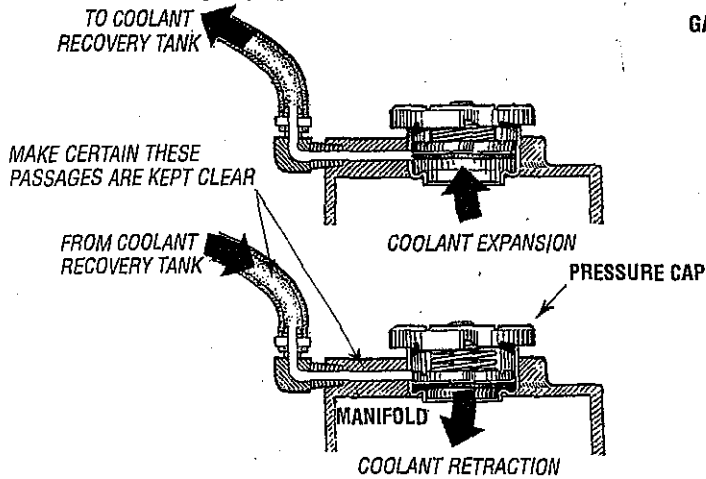
After replacing the engine block drain plug, close the heat exchanger's coolant petcock. Then pour clean, premixed coolant into the manifold and when the coolant is visible in

NOTE: *Open the air-bleed petcock on the thermostat housing. Fill the system and watch for antifreeze coolant to flow from the petcock then close the petcock.*

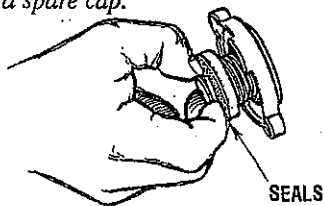
Monitor the coolant in the manifold and add as needed. Fill the manifold to the filler neck and install the manifold pressure cap.

Remove the cap on the coolant recovery tank and fill with coolant mix to halfway between LOW and MAX and replace the cap. Run the engine and observe the coolant expansion flow into the recovery tank.

After checking for leaks, stop the engine and allow it to cool. Coolant should draw back into the cooling system as the engine cools down. Add coolant to the recovery tank if needed. Clean up any spilled coolant.



NOTE: *Periodically check the condition of the manifold pressure cap. Ensure that the upper and lower rubber seals are in good condition and check that the vacuum valve opens and closes tightly. Carry a spare cap.*



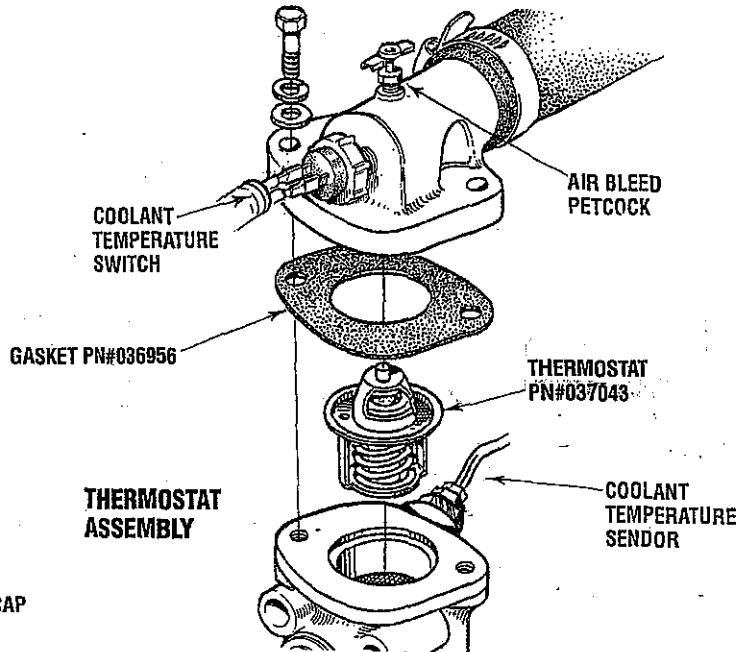
THERMOSTAT

A thermostat, located near the manifold at the front of the engine, controls the coolant temperature as the coolant continuously flows through the closed cooling circuit. When the engine is first started, the closed thermostat prevents coolant from flowing (some coolant is by-passed through a hole in the thermostat to prevent the exhaust manifold from overheating). As the engine warms up, the thermostat gradually opens. The thermostat is accessible and can be checked, cleaned, or replaced easily. Carry a spare thermostat and gasket.

Replacing the Thermostat

Remove the cap screws and disassemble the thermostat housing as shown. When installing the new thermostat and gasket, apply a thin coat of sealant on both sides of the gasket before pressing it into place. Do not over-tighten the cap screws.

Run the engine and check for normal temperatures and that there are no leaks at the thermostat housing.



RAW WATER COOLING CIRCUIT

The raw water flow is created by a positive displacement impeller pump. This pump draws water directly from the raw water source (ocean, lake, or river) through a hose to the water strainer. The raw water passes through the strainer through the raw water pump to the heat exchanger (through the heat exchanger tubes) where it cools the engine circulating fresh water coolant. The raw water is then discharged into the water-injected exhaust elbow, mixing with and cooling the exhaust gasses. This mixture of exhaust gas and raw water is discharged overboard by the engine's exhaust gas discharge pressure.

Raw Water Pump

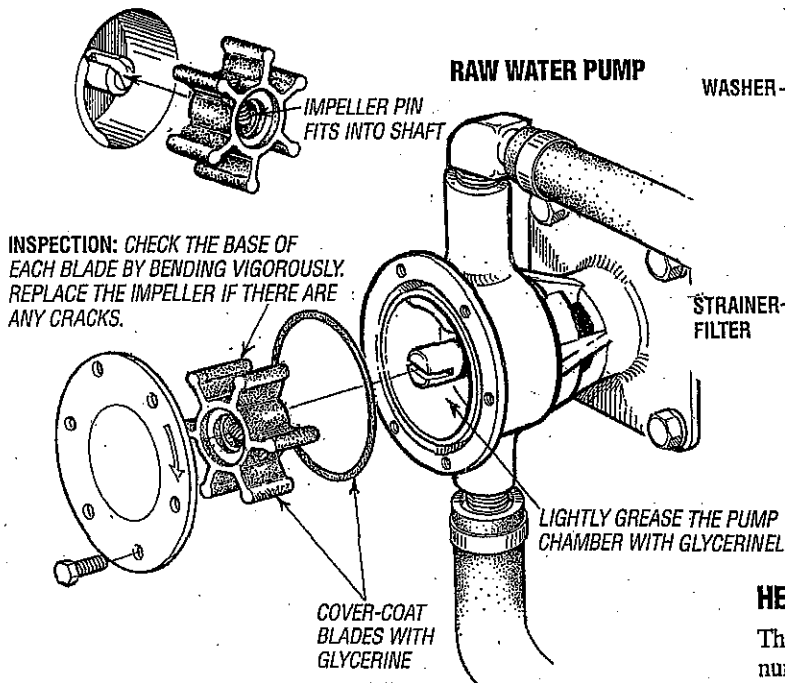
The raw water pump is a self-priming, rotary pump with a non-ferrous housing and a neoprene impeller. The impeller has flexible vanes which wipe against a curved cam plate within the impeller housing, producing the pumping action. On no account should this pump be run dry as water acts as a lubricant for the impeller. There should always be a spare impeller and impeller cover gasket (an impeller kit) aboard. Raw water pump impeller failures occur when lubricant (raw water) is not present during engine operation. Such failures are not warrantable, and operators are cautioned to make sure raw water flow is present at start-up.

NOTE: *Should a failure occur with the pump's internal parts (seals and bearings), it may be more cost efficient to purchase a new pump and rebuild the original pump as a spare.*

COOLING SYSTEM

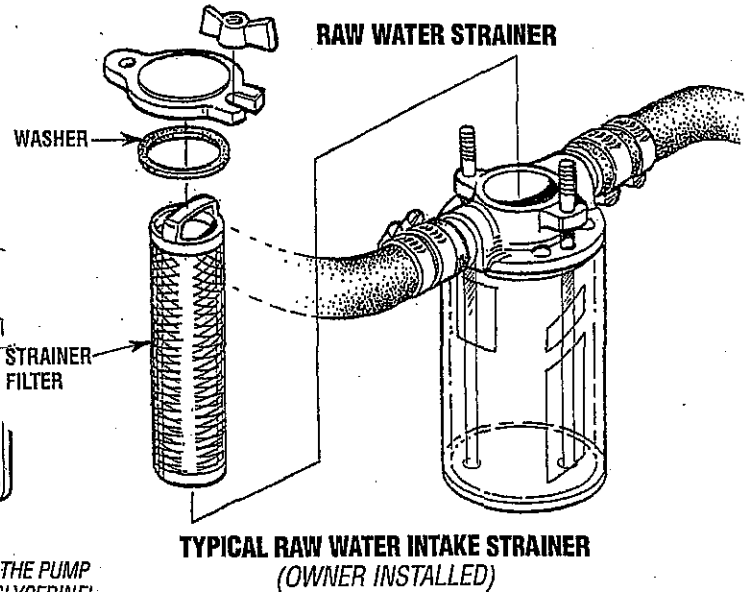
CHANGING THE RAW WATER PUMP IMPELLER

Close the raw water intake valve. Remove the pump cover and gasket or O-ring with the aid of two screwdrivers or pliers. Carefully pry/pull the impeller out of the pump. Lightly coat the inside of the pump housing with *glycerine*. Install the new impeller and cover with gasket, Open the raw water intake valve.



NOTE: Also follow the above procedure after having run hard aground.

If the engine temperature gauge ever shows a higher than normal reading, the cause may be that silt, leaves or grass may have been caught up in the strainer, slowing the flow of raw water through the cooling system.



HEAT EXCHANGER

The heat exchanger is a copper cylinder which encloses a number of small copper tubes. Raw water is pumped through the small copper tubes and the fresh water coolant from the engine is circulated around the copper tubes. The raw water removes heat from the fresh water coolant.

CAUTION: If any of the vanes have broken off the impeller, they must be found to prevent blockage in the cooling circuit. They often can be found in the heat exchanger.

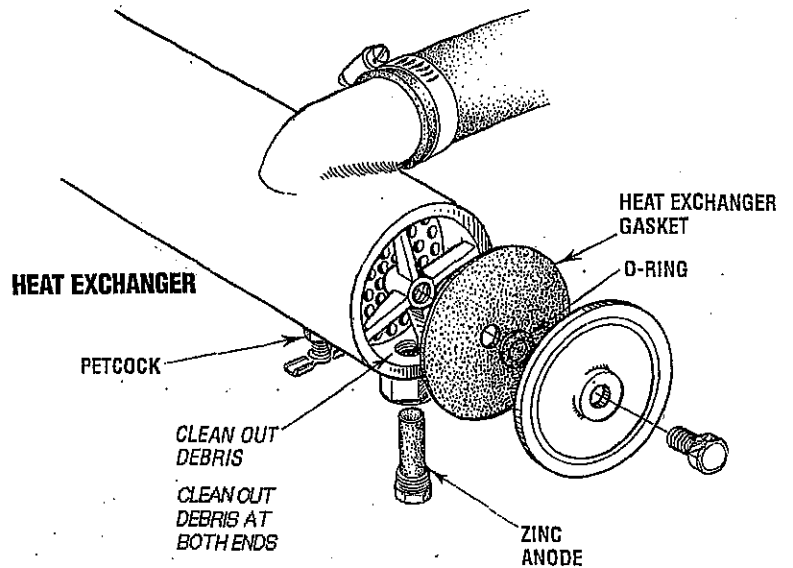
Raw Water Intake Strainer

NOTE: Always install the strainer at or below the waterline so the strainer will always be self-priming.

A clean raw water intake strainer is a vital component of the engine's cooling system. Include a visual inspection of this strainer when making your periodic engine check. The water in the glass should be clear.

Perform the following maintenance after every 100 hours of operation:

1. Close the raw water seacock.
2. Remove and clean the strainer filter.
3. Clean the glass.
4. Replace the washer if necessary.
5. Reassemble and install the strainer.
6. Open the seacock.
7. Run the engine and check for leaks.

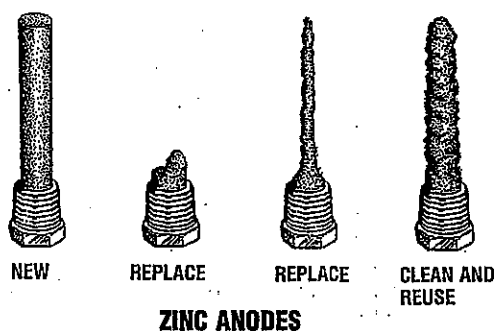


HEAT EXCHANGERS ARE ALSO AVAILABLE WITH CUPRO-NICKEL TUBING

COOLING SYSTEM

Zinc Anode

A zinc anode, or *pencil*, is located in the raw water cooling circuit within the heat exchanger. The purpose of having the zinc anode is to sacrifice them to electrolysis action taking place in the raw water cooling circuit, thereby reducing the effects of electrolysis on other components of the system. The condition of the zinc anode should be checked monthly and the anode cleaned or replaced as required. Spare anodes should be carried on board.



NOTE: Electrolysis action is the result of each particular installation and vessel location; not that of the engine.

If the zinc anodes need replacement, hold the hex boss into which the zinc anode is threaded with a wrench while loosening the anode with another wrench. This prevents the hex boss from possibly tearing off the exchanger shell. After removing the zinc, note the condition of it. If the zinc is in poor condition, there are probably a lot of zinc flakes within the exchanger. Remove the end of the heat exchanger and clean the inside of all zinc debris. Always have a spare heat exchanger end gasket in case the present one becomes damaged when removing the end cover. Replace the gasket (refer to your engine model's heat exchanger end gasket part number), O-ring and cover, and install a new zinc anode.

NOTE: The threads of the zinc anodes are pipe threads and do not require sealant. Sealant should not be used as it may insulate the zinc from the metal of the heat exchanger housing preventing electrolysis action on the zinc.

Heat Exchanger Service

After approximately 1000 hours of operation, remove, clean and pressure test the engine's heat exchanger. (A local automotive radiator shop should be able to clean and test the heat exchanger.)

NOTE: Operating in silty and/or tropical waters may require that a heat exchanger cleaning be performed more often than every 1000 hours.

AIR INTAKE / SILENCER

DESCRIPTION

A marine diesel engine running at 1800 rpm will typically consume as much as 6,000 cubic feet of air per hour. Not only must the engine room be well ventilated, the air flow into the engine must be unrestricted.

AIR INTAKE FILTER/SILENCER

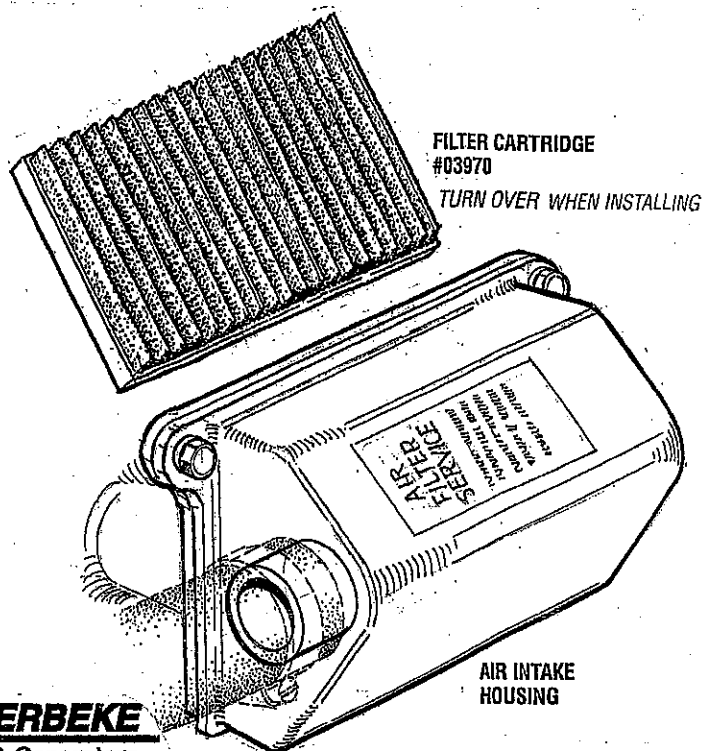
The replaceable canister contains a paper element that should be inspected every 100 operating hours. Dirt in the element can be shaken off or cleaned with compressed air, however, if the element is greasy or black with dirt, the canister must be replaced, carry a spare.

NOTE: To operate efficiently a diesel engine must intake a continuous volume of clear air. Hard starting, an erratic idle, and black exhaust smoke are all symptoms of a restricted air intake.

FILTER CARTRIDGE INSTALLATION

Detach the air inlet hose from the air intake. Unplug the air temperature sensor from the engine harness. Then remove the bolts that secure the air intake silencer housing to the inlet base and remove the housing, screen facing out. Reinstall the housing to the inlet base. Plug in the air temperature sensor to the harness and reconnect the air inlet hose.

NOTE: Regular air filter cartridge maintenance is essential for proper engine operation. Failure to maintain the air filter cartridge will result in air obstruction into the engine, causing poor fuel combustion and resulting in smokey/sooty exhaust discharge along with lube oil consumption and possible filter deterioration which could result in internal engine damage.



FUEL SYSTEM

DIESEL FUEL

Use No. 2 diesel fuel with a cetane rating of 45 or higher. Do not use kerosene or home heating fuel.

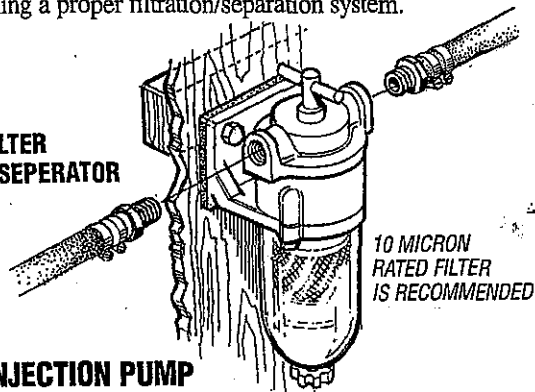
FUEL WATER SEPARATOR

A primary fuel filter of the water separating type must be installed between the fuel tank and the engine to remove water and other contaminant's from the fuel before they can be carried to the fuel system on the engine.

Most installers include a filter/water separator with the installation package as they are aware of the problems that contaminant's in the fuel can cause.

A typical fuel filter/water separator is illustrated below. This is the *Raycor Model 500 MA*. Keep in mind that if a water separator type filter is not installed between the fuel supply tank and engine-mounted fuel system, any water in the fuel will affect the fuel pump, engine filter, and injection equipment. The owner/operator is responsible for making certain the fuel reaching the engine's injection equipment is free of impurities. This process is accomplished by installing and maintaining a proper filtration/separation system.

FUEL FILTER WATER SEPERATOR



FUEL INJECTION PUMP

The fuel injection pump is the most important component of the diesel engine, requiring the utmost caution in handling. The fuel injection pump has been thoroughly bench-tested and the owner-operator is cautioned not to attempt to service it. If it requires servicing, remove it and take it to an authorized fuel injection pump service facility. Do not attempt to disassemble and repair it.

Speed (hertz) and timing are the only adjustments the servicing dealer can perform on the injection pump. Other types of adjustments or repairs must be performed by a qualified injection service shop.

FUEL LIFT PUMP

Periodically check the fuel connections to and out of the pump and make sure that no leakage is present and that the fittings are tight and secure. The DC ground connection at one of the pumps mounting bolts should be clean and well secured by the mounting bolt to ensure proper pump operations.

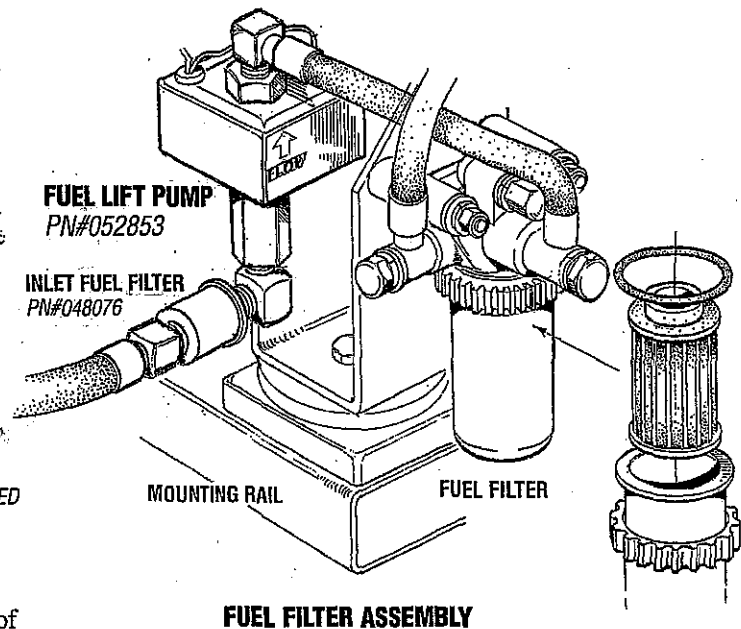
When energized thru the preheat circuit, the fuel lift pump will purge air from the fuel system and provide continuous flow of fuel as the engine is running.

FUEL FILTERS

The fuel injection pump and the fuel injectors are precisely manufactured and they must receive clean diesel fuel, free from water and dirt. To ensure this flow of clean fuel, the fuel must pass through at least two fuel filters, a fuel filter/water separator and the engine's spin-on fuel filter. Visually inspect, clean, and change these filters according to the maintenance schedule in this manual.

FUEL LIFT PUMP FILTER

To ensure clean fuel into the fuel lift pump, there is a small in-line fuel filter connected to the fuel lift pump elbow. This filter should be replaced every 200 hours of operation.



FUEL LIFT PUMP
PN#052853

INLET FUEL FILTER
PN#048076

MOUNTING RAIL

FUEL FILTER

FUEL FILTER ASSEMBLY

ENGINE FUEL FILTER

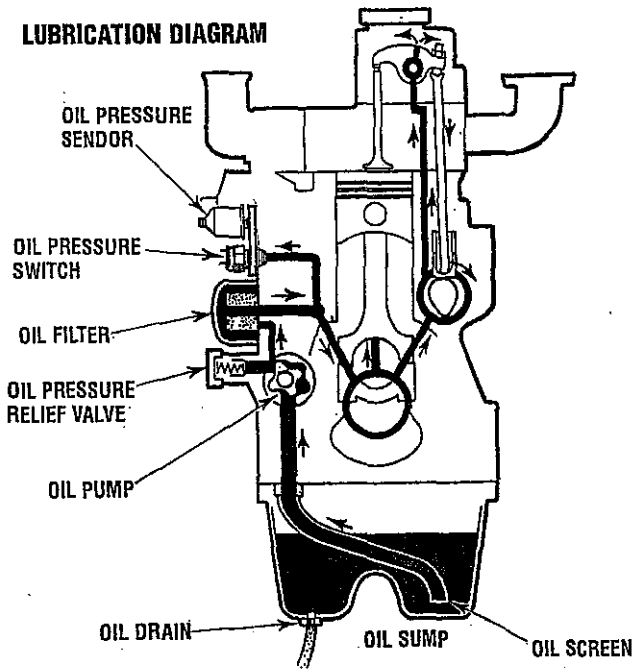
Periodically check the fuel connections and the bowl for leakage. Clean the filter element with kerosene or diesel fuel after the first 50 hours then follow the *MAINTENANCE SCHEDULE* for cleaning and replacement.

Changing/cleaning the filter element

1. Shut off the fuel supply.
2. Unscrew the retainer ring that holds the filter bowl to the housing and allow the bowl to come away from the housing,
3. Remove and replace the filter element and clean the bowl.
4. Replace the sealing "O" ring and reassemble the bowl to the housing. Thread the retainer ring on carefully so as not to cross thread. When retainer contacts the "O" ring, tighten 1/4 - 1/2 turns by hand. Open the fuel supply and run the engine to inspect for leaks.

ENGINE LUBRICATING OIL

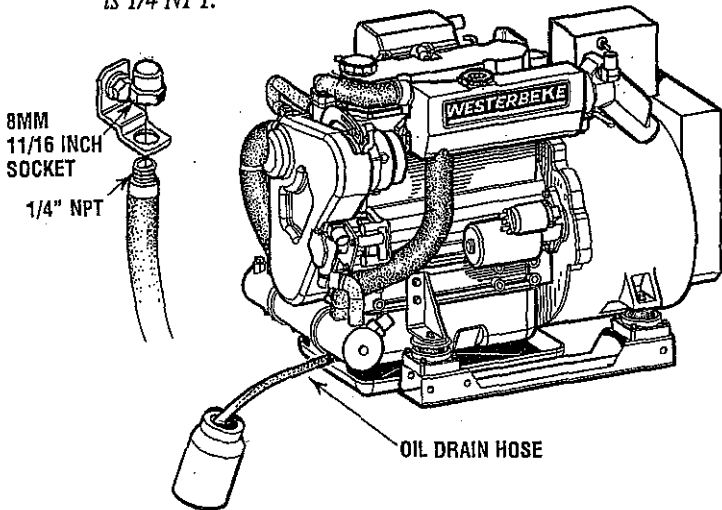
LUBRICATION DIAGRAM



ENGINE OIL CHANGE

1. **Draining the Oil Sump.** Discharge the used oil through the sump drain hose (attached to the front of the engine) while the engine is warm. Drain the used oil completely, replace the hose in its bracket, and replace the end cap securely.

NOTE: Thread size for the lube oil drain hose capped end is 1/4 NPT.

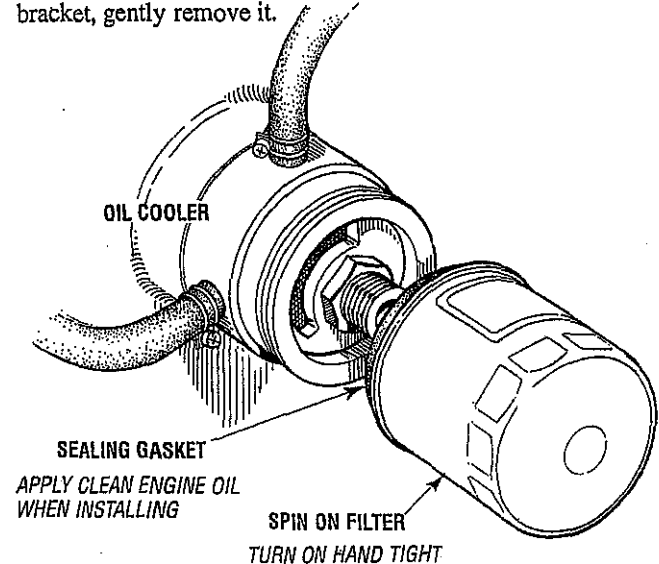


Always observe the used oil as it is removed. A yellow/gray emulsion indicates the presence of water in the oil. Although this condition is rare, it does require prompt attention to prevent serious damage. Call a qualified mechanic should water be present in the oil. Raw water present in the oil can be the result of a fault in the exhaust system attached to the engine and/or a siphoning of raw water through the raw water cooling circuit into the exhaust, filling the engine. This problem is often caused by the absence of an anti-siphon valve, its poor location or lack of maintenance.

2. **Replacing the Oil Filter.** When removing the used oil filter, you may find it helpful and cleaner to punch a hole in the upper and lower portion of the old filter to drain the oil from it into a container before removing it. This helps to lessen spillage. A small automotive filter wrench should be helpful in removing the old oil filter.

NOTE: Do not punch this hole without first loosening the filter to make certain it can be removed.

Place some paper towels and a plastic bag around the filter when unscrewing it to catch any oil left in the filter. (Oil or any other fluid on the engine reduces the engine's cooling ability. Keep your engine clean.) Inspect the old oil filter as it is removed to make sure that the rubber sealing gasket comes off with the old oil filter. If this rubber sealing gasket remains sealed against the filter bracket, gently remove it.



When installing the new oil filter element, wipe the filter gasket's sealing surface on the bracket free of oil and apply a thin coat of clean engine oil to the rubber gasket on the new oil filter. Screw the filter onto the threaded oil filter nipple on the oil filter bracket, and then tighten the filter firmly by hand.

NOTE: Generic filters are not recommended, as the material standards or diameters of important items on generic parts might be entirely different from genuine parts. Immediately after an oil filter change and oil fill, run the engine to make sure the oil pressure is normal and that there are no oil leaks around the new oil filter.

3. **Filling the Oil Sump.** Add new oil through the oil filler cap on the top of the engine or through the side oil fill. After refilling, run the engine for a few moments while checking the oil pressure. Make sure there is no leakage around the new oil filter or from the oil drain system, and stop the engine. Then check the quantity of oil with the lube oil dipstick. Fill to, but not over the high mark on the dipstick, should the engine require additional oil.

OIL PRESSURE

DESCRIPTION

The lubricating system is a pressure feeding system using an oil pump. The engine oil is drawn from the oil sump by the oil pump, which drives the oil, under pressure, through the oil filter, oil cooler and various lubricating points in the engine. The oil then returns to the oil sump to repeat the continuous cycle. When the oil pressure exceeds the specified pressure, the oil pushes open the relief valve in the oil pump and returns to the oil sump, keeping the oil pressure within its specified range.

OIL PRESSURE

The engine's oil pressure, during operation, is indicated by the oil pressure gauge on the instrument panel. During normal operation, the oil pressure will range between 40 and 60 psi (2.8 and 4.2 kg/cm²).

NOTE: A newly started, cold engine can have an oil pressure reading up to 60 psi (4.2 kg/cm²). A warmed engine can have an oil pressure reading as low as 35 psi (2.5 kg/cm²). These readings will vary depending upon the temperature of the engine and the rpms.

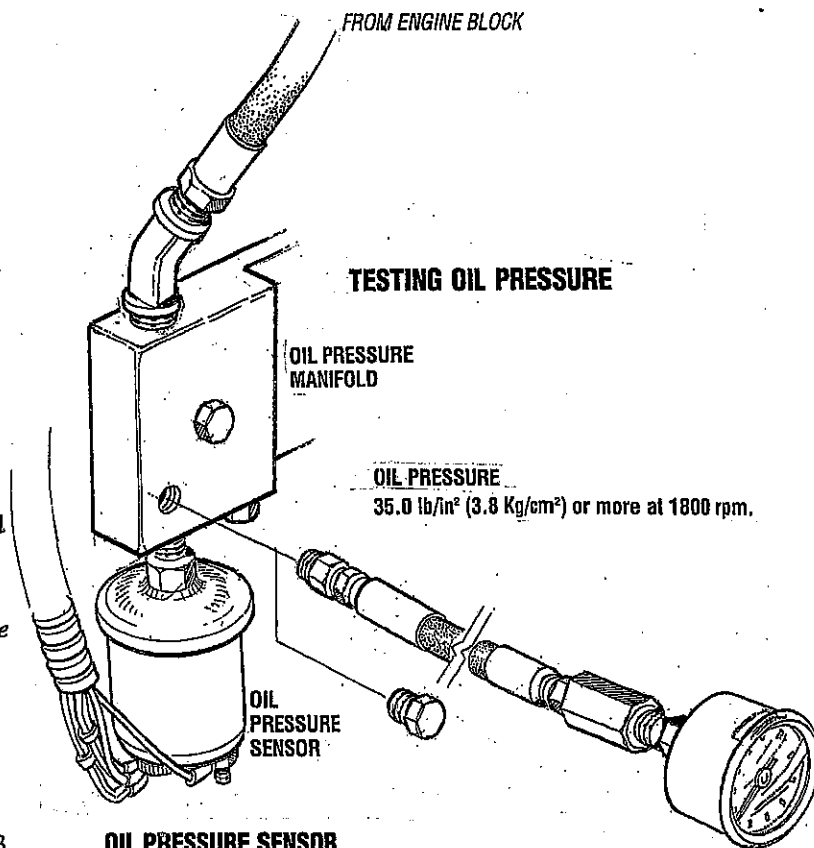
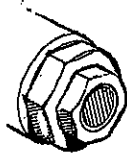
LOW OIL PRESSURE

The specified safe minimum oil pressure is 4.3 + 1.4 psi (0.3 + 0.1 kg/cm²). A gradual loss of oil pressure usually indicates a worn bearings. For additional information on low oil pressure readings, see the *ENGINE TROUBLESHOOTING* chart.

OIL PRESSURE RELIEF VALVE

An oil pressure relief valve is located on the engine block just below the injection pump. This valve opens at approximately 50 psi [343 kpa] and maintains that pressure.

LOCATED JUST
UNDER THE
FUEL INJECTION
PUMP ON THE
ENGINE BLOCK.



OIL PRESSURE SENSOR

An oil pressure sensor is mounted on the oil manifold for the engine. It sends a voltage signal to the ECU that is interpreted as pressure. Should this signal fall below a set point in the ECU. The ECU will open the K2 run relay shutting the unit down. It will then display the fault on the LCD Display screen. Engine oil pressure dropping 10 - 15 psi will cause this to occur.

NOTE: To test the oil pressure, install a mechanical pressure gauge as shown. Warm up the engine and read the oil pressure gauge. Oil Pressure should be 35.0 lb/in² (3.8 Kg/cm²) or more at 1800 rpm.

REMOTE OIL FILTER (OPTIONAL)

PN:040078 REMOTE OIL FILTER SET

INSTALLATION

This popular accessory is used to relocate the engine's oil filter from the engine to a more convenient location such as an engine room bulkhead.

NOTE: Refer to *ENGINE OIL CHANGE* in this manual for instructions on removing the oil filter.

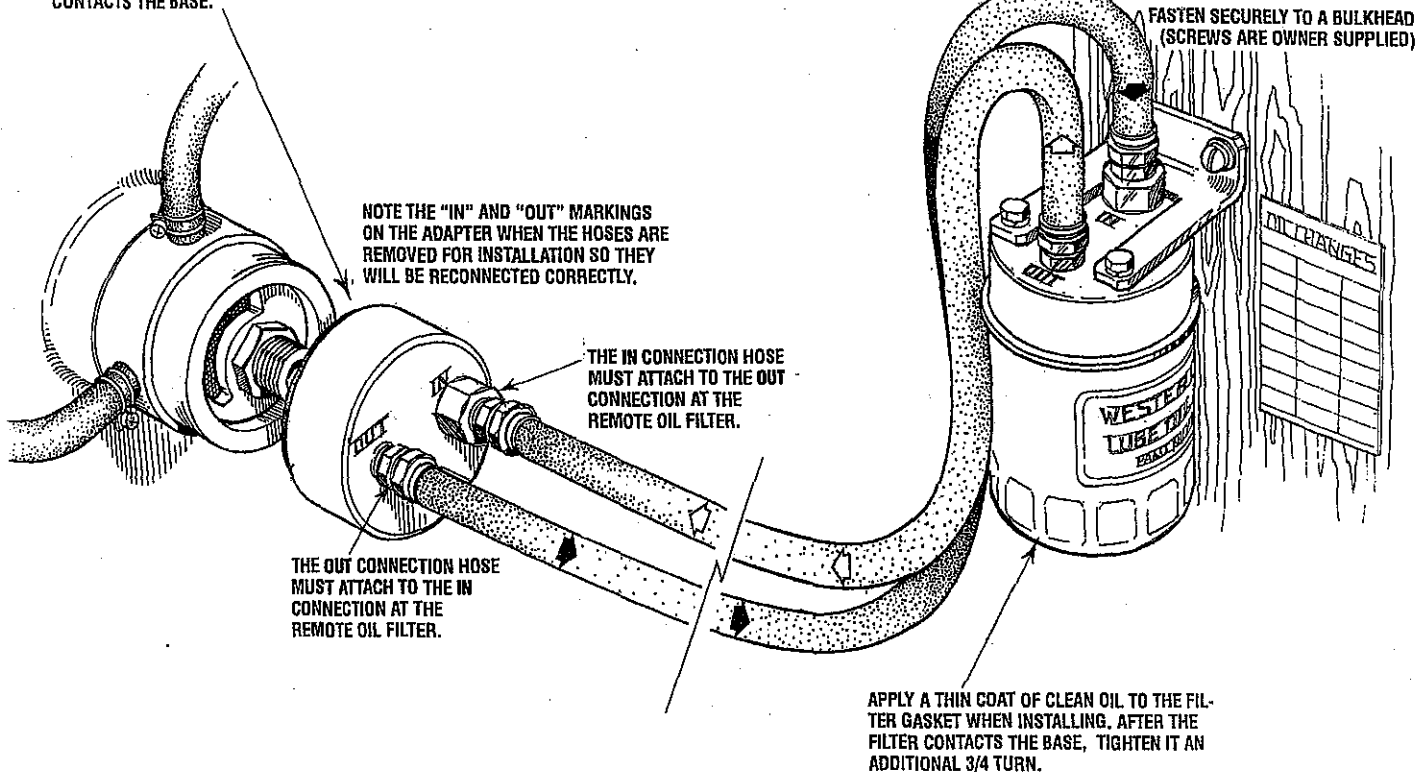
To install, simply remove the engine oil filter and thread on WESTERBEKE'S remote oil filter kit as shown. Always install this kit with the oil filter facing down as illustrated.

Contact your WESTERBEKE dealer for more information.

NOTE: Westerbeke is not responsible for engine failure due to incorrect installation of the Remote Oil Filter.

CAUTION: It is vital to install the oil lines correctly. If the oil flows in the reverse direction, the by-pass valve in the filter assembly will prevent the oil from reaching the engine causing an internal engine failure. If there is no oil pressure reading, shutdown immediately and check the hose connections

APPLY A THIN COAT OF CLEAN OIL TO THE O-RING WHEN INSTALLING THIS KIT. THREAD THE KIT ON, THEN HAND TIGHTEN AN ADDITIONAL 3/4 TURN AFTER THE O-RING CONTACTS THE BASE.



ENGINE TROUBLESHOOTING

LCD DISPLAY FAULTS
(continued) 

Note: The engines DC electrical system is protected by a 20 amp rocker type reset circuit breaker mounted on the control panel.

Problem	Probable Cause	Verification/Remedy
START BUTTON depressed, no panel indications.	<ol style="list-style-type: none"> 1. Battery Switch not on. 2. Circuit breaker tripped/off. 3. Loose battery connections. 	<ol style="list-style-type: none"> 1. Check switch and/or battery connections. 2. Reset breaker; if breaker trips again, check preheat solenoid circuit and check circuit for shorts to ground. 4. Check (+) connection to starter solenoid and (-) connection to engine ground stud. Check battery cable connections.
START BUTTON depressed, no starter engagement.	<ol style="list-style-type: none"> 1. Connection to solenoid faulty. 2. Faulty solenoid. 3. Loose battery connections. 4. Low battery. 5. K1 relay. 	<ol style="list-style-type: none"> 1. Check connection. 2. Check that 12 volts are present at the solenoid connection. 3. Check battery connections. 4. Check battery charge state. 5. Check K1 relay.
START BUTTON depressed; panel indications OK; starter solenoid OK fuel solenoid not functioning.	<ol style="list-style-type: none"> 1. Poor connections to fuel solenoid. 2. Defective fuel solenoid. 	<ol style="list-style-type: none"> 1. Check connections. 2. Check that 12 volts are present at the (+) connection on the fuel run solenoid.
Generator engine cranks, but does not start, fuel solenoid energized. Note: there is a 8 – 10 sec. crank cycle. If the engine does not start. The cycle will terminate and a Underspeed fault will display on the LCD display screen.	<ol style="list-style-type: none"> 1. Faulty fueling system. 2. Preheat solenoid faulty. 	<ol style="list-style-type: none"> 1. Check that fuel valves are open. <ol style="list-style-type: none"> 1a. Switch to combine house and start batteries. 1b. Replace batteries. 1c. Check fuel lift pump. 1d. Change inlet fuel filter. 2. Check solenoid.
Battery runs down.	<ol style="list-style-type: none"> 1. High resistance leak to ground. 2. Low resistance leak. 3. Poor battery connections. 4. DC alternator not charging. 	<ol style="list-style-type: none"> 1. Check wiring. Insert sensitive (0 - .25 amp) meter in battery lines. Do not start engine. Remove connections and replace after short is located. 2. Check all wires for temperature rise to locate the fault. 3. Check cable connections at battery for loose connections, corrosion. 4. Check connections, check belt tension. test alternator. See DC ELECTRICAL SYSTEM/ALTERNATOR.
Battery not charging	<ol style="list-style-type: none"> 1. DC charge circuit faulty. 2. Alternator drive. 	<ol style="list-style-type: none"> 1. Perform D.C. voltage check of generator charging circuit. See DC ELECTRICAL SYSTEM/ALTERNATOR in this manual. 2. Check drive belt tension. Alternator should turn freely. Check for loose connections. Check output voltmeter. Ensure 12 volts are present at the Exc. terminal.
Generator engine stops. (Fault display under speed) NOTE: The engines DC electrical system is protected by a 20 amp rocker type reset circuit breaker on the front of the control panel.	<ol style="list-style-type: none"> 1. Switches and/or wiring loose or disconnected. 2. Fuel starvation. 3. 20 Amp circuit breaker tripping. (LCD display blank) 4. Exhaust system is restricted. 5. Water in fuel. 6. Air intake obstruction. 	<ol style="list-style-type: none"> 1. Inspect wiring for short circuits and loose connections. Inspect switches for proper operation. 2. Check fuel supply, fuel valves, fuel feed strainer. 3. Check for high DC amperage draw during operation. Ensure breaker is not overly sensitive to heat which would cause tripping. 4. Check for blockage or collapsed muffler. 5. Pump water from fuel tank(s); change filters and bleed fuel system. 6. Check air intake filter cartridge.
Engine starts, runs and shuts down.	<ol style="list-style-type: none"> 1. Faulty oil pressure switch. 2. Water temperature switch. 	<ol style="list-style-type: none"> 1. Check oil pressure switch. 2. Check water temperature switch.
Exhaust smoking problems	<ol style="list-style-type: none"> 1. Blue smoke. 2. White smoke. 3. Black smoke. 	<ol style="list-style-type: none"> 1. Incorrect grade of engine oil. <ol style="list-style-type: none"> 1a. Crankcase is overfilled with engine oil (oil is blowing out through the exhaust). 2. Engine is running cold. <ol style="list-style-type: none"> 2a. Faulty injector or incorrect injector timing. 3. Improper grade of fuel or possible generator overload. <ol style="list-style-type: none"> 3a. Fuel burn incomplete due to high back pressure in exhaust or insufficient air for proper combustion (Check for restrictions in exhaust system; check air intake). 3b. Improperly timed injectors or valves or poor compression. 3c. Lack of air — check air intake and air filter. Check for proper ventilation.

ENGINE TROUBLESHOOTING

LCD DISPLAY FAULTS

PROBLEM	PROBABLE CAUSE	VERIFICATION/REMEDY
LCD DISPLAY DOES NOT ILLUMINATE	<ol style="list-style-type: none"> 1. Check battery. 2. 20 amp breaker off. 3. Loose display connection. 4. 1 amp fuse blown (faulty). 	<ol style="list-style-type: none"> 1. Battery on. 2. Turn breaker on. 3. Check all cable connections. 4. Check/replace. Determine cause
LOW OIL PRESSURE	<ol style="list-style-type: none"> 1. Oil level low/oil leak. 2. Lack of oil pressure 3. Ground connection. 4. Faulty control module (ECU). 5. Faulty oil pressure sensor. 	<ol style="list-style-type: none"> 1. Check oil level, add oil and repair leaks. 2. Test oil pressure. If OK, test oil pressure sensor, inspect oil filter, inspect oil pump. 3. Check ground connection. 4. Inspect all the plug connections/replace. 5. Check sensor/replace.
HIGH COOLANT TEMPERATURE	<ol style="list-style-type: none"> 1. Check system coolant level. 2. Sea water pump. 3. Check water pump drive belt. 4. Faulty temperature sensor. 5. Ground connection. 6. Faulty control module (ECU). 	<ol style="list-style-type: none"> 1. Add coolant. Check for leaks. 2. Inspect impeller/pump/replace. 3. Adjust belt tension, replace belt. 4. Check sensor/replace. 5. Check ground circuit. 6. Check plug connections/replace.
HIGH EXHAUST TEMPERATURE	<ol style="list-style-type: none"> 1. Check sea water flow. 2. Faulty exhaust temperature switch. 3. Ground Connection. 4. Faulty control module (ECU). 5. Sea water pump. 6. Faulty fire suppression system. 	<ol style="list-style-type: none"> 1. Inspect thru hull fitting, hose and strainer. Correct as needed. 2. Test/replace. 3. Check ground circuit. 4. Check plug connections. 5. Inspect impeller/replace. 6. By-pass system/check.
BATTERY VOLTAGE	<ol style="list-style-type: none"> 1. Check alternator drive belt. 2. Check charge voltage. 3. Check battery connections. 4. Faulty control module (ECU). 	<ol style="list-style-type: none"> 1. Adjust tension/replace if worn. 2. Check excitation. Replace/repair alternator 3. Check + and - cables from battery to engine. 4. Check plug connections/replace.
GENERATOR FREQUENCY Overspeed (steady LED) Underspeed (flashing LED)	<ol style="list-style-type: none"> 1. Check engine speed. 2. Check fuel supply. 3. Amperage load. 4. Crank cycle with no start. (underspeed fault) 	<ol style="list-style-type: none"> 1. Check speed setting. 2. Inspect filters/replace filters. Test fuel pump operation. 3. Check + and - cables from battery to engine. 4. Check cause for no start.
LED DISPLAY EDGES TURN PINK	<ol style="list-style-type: none"> 1. Compartment ambient temperature too high. 	<ol style="list-style-type: none"> 1. Ventilate compartment. <i>Note: Heat will often change the color of an LCD display. This will not effect the operation of the engine.</i>
WAITING FOR ECU	<ol style="list-style-type: none"> 1. ECU and LCD display not compatible. 2. Loose cable connection. 3. Panel DC breaker OFF. 4. Blown 8 amp fuse. 5. Terminating Resistors. 6. Battery Voltage to ECU. 	<ol style="list-style-type: none"> 1. Check compatibility with Westerlink or NMEA. 2. Check all cable connections. 3. Turn ON, check DC voltage across breaker. 4. Check/replace fuse. Check DC voltage across fuseholder 5. Check all terminating resistors are in place. 120 ohm per resistor measured across pin #4 and #5. 6. Check between pins P2-24 and P2-25. P2 ECU plug unplugged from ECU. Power turned ON. If voltage is present, ECU is faulty.

ENGINE ADJUSTMENTS

DRIVE BELT ADJUSTMENT

Proper inspection, service and maintenance of the drive belts is important for the efficient operation of your engine (see *Drive Belts* under *MAINTENANCE SCHEDULE*).

Drive belts must be properly tensioned. Loose drive belts will not provide proper alternator charging and will eventually damage the alternator. Drive belts that are too tight will pull the alternator out of alignment and/or cause the alternator to wear out prematurely. Excessive drive belt tension can also cause rapid wear of the belt and reduce the service life of the fresh water pumps bearing. A slack belt or the presence of oil on the belt can cause belt slipping, resulting in high operating temperatures.

The drive belt is properly adjusted if the belt can be deflected no less than 3/8 inch (10mm) and no more than 1/2 inch (12mm) as the belt is depressed with the thumb at the mid-point between the two pulleys on the longest span of the belt. A spare belt or belts should always be carried on board.

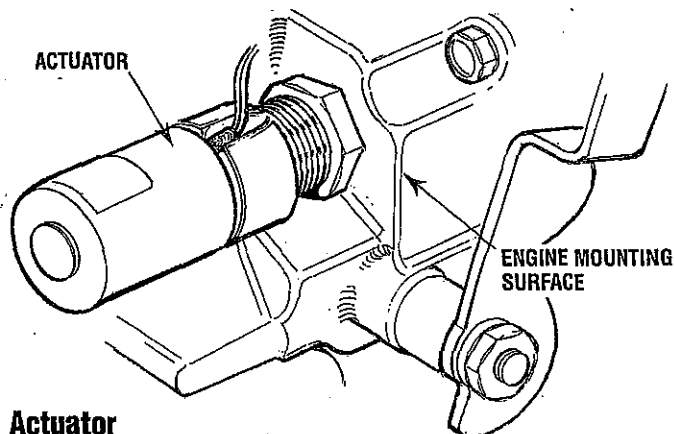
⚠ WARNING: *Never attempt to check or adjust the drive belt's tension while the engine is in operation.*

Adjusting Belt Tension

1. Loosen the alternator adjusting strap bolt and the base mounting bolt.
2. With the belt loose, inspect for wear, cracks and frayed edges.
3. Pivot the alternator on the base mounting bolt to the left or right as required, to loosen or tighten.
4. Tighten the base mounting bolt and the adjusting strap bolt.
5. Run the engine for about 5 minutes, then shut down and recheck the belt tensions.

ELECTRONIC GOVERNOR

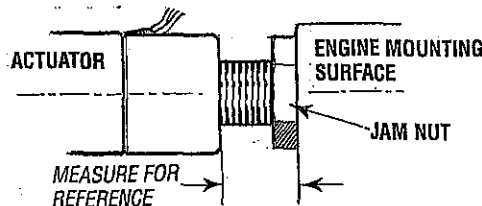
The Electronic Governor regulates the engine speed by sensing the engine's RPM with a magnetic pick-up at the flywheel. The governor's controller continuously monitors the engine's speed and if there is any discrepancy, the controller signals the actuator and the actuator adjusts the engine to the desired speed electronically.



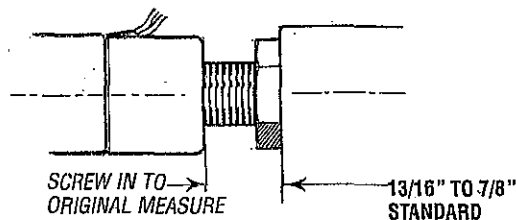
Actuator

The following instructions are for adjusting or replacing the actuator.

1. Shut-off the DC power to the generator.
2. Disconnect the actuator wires from the wiring harness.
3. Measure the distance between the actuator and the engine mounting surface as shown.



4. Back-off the 1 7/16" jam nut and unscrew the actuator.
5. Apply a small amount of teflon sealant to the replacement actuator and screw the actuator into the engine's mounting boss. Maintain the same distance between the actuator and the engine mounting surface as previously measured. Secure the actuator's position with the jam nut. (The standard distance is 13/16" to 7/8").
6. Reconnect the actuator wires and test the unit.



NOTE: *If the unit does not shut down properly when testing, loosen the jam nut and turn the actuator in 1/8-1/4 of a turn until proper shutdown is achieved.*

ENGINE ADJUSTMENTS

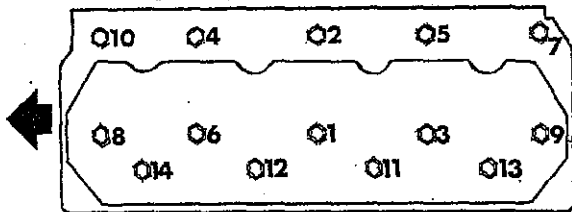
NOTE: WESTERBEKE recommends that the following engine adjustments be performed by a competent engine mechanic. The information below is provided to assist the mechanic.

VALVE CLEARANCE ADJUSTMENT

Make the following adjustments when the engine is cold.

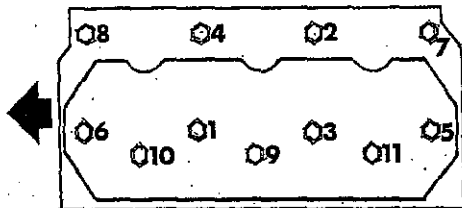
1. Remove the cylinder head cover.
2. Slightly loosen the cylinder head bolts and retighten them to the specified torque in the number sequence shown below.

Tightening Torque 85 ± 4 lb-ft (88 ± 5 Nm)



FOUR CYLINDER

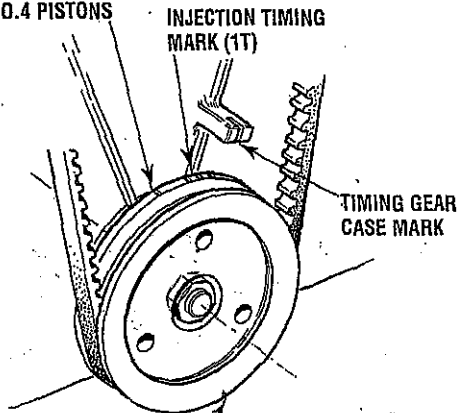
FRONT



THREE CYLINDER

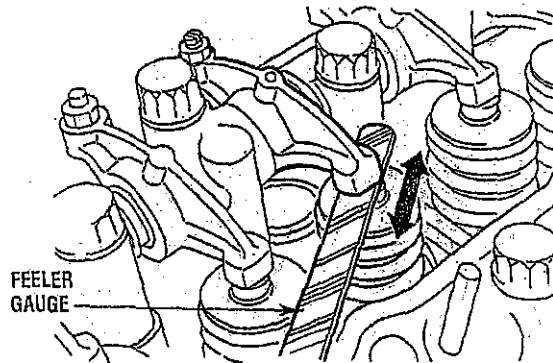
3. Find top dead center compression position for No.1 piston by using the procedure that follows:
 - (a) Turn the crankshaft until TDC mark on the crankshaft pulley is aligned with the mark on the timing gear case.

TDC (TOP DEAD CENTER)
MARK FOR NO.1
AND NO.4 PISTONS

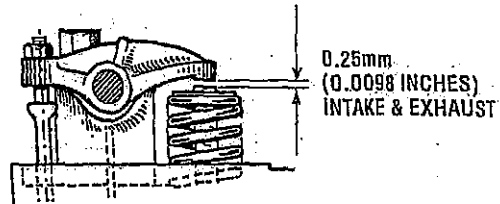


TDC MARK FOR
NO.2 AND NO.3 PISTONS

- (b) With No.1 piston at top dead center on the compression stroke, the rocker arms will not be moved when the crankshaft is turned approximately 20° in both directions.
- (c) If the rocker arms move, No.1 piston is at top dead center on the intake or exhaust stroke. In such a case, turn the crankshaft 360° in the direction of engine rotation again. No.1 piston is now at top dead center on the compression stroke.



4. Loosen the lock nut for the adjusting screw. With a feeler gauge inserted between the rocker arm and valve cap, adjust the valve clearance by turning the adjusting screw.



5. After the valve clearance on the valves for No.1 cylinder have been adjusted. Follow the firing order sequence below for either the three or four cylinder model. Rotate the crank shaft in the direction of normal rotation and adjust the valves for the next cylinder in the firing order. Repeat until all cylinder valves are adjusted.

FIRING ORDER

Three Cylinder 1 - 3 - 2 240 degrees of crank shaft rotation

Four Cylinder 1 - 3 - 4 - 2 180 degrees of crank shaft rotation

6. After all valves have been adjusted, turn the crank shaft two to three complete revolutions and recheck valve clearances following steps #3. - #5.
7. Install the rocker cover.

ROCKER COVER BOLT TORQUE: 2 - 3 ft-lb (0.3 - 0.45 m-kg)

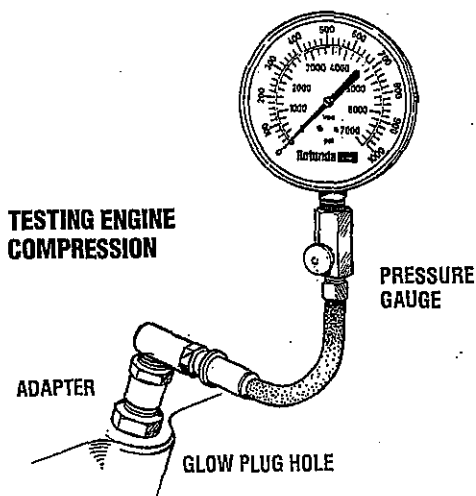
ENGINE ADJUSTMENTS

NOTE: WESTERBEKE recommends that the following engine adjustments be performed by a competent engine mechanic. The information below is provided to assist the mechanic.

TESTING ENGINE COMPRESSION

Make certain the oil level (dipstick) is at the correct level and the air intake filter is clean. The battery and starter motor must also be in good condition.

1. Warm the engine to normal operating temperature.
2. Move the control lever to a position for shutting off the fuel. (Disconnect the wires if a fuel shutdown solenoid is used).
3. Remove all the glow plugs from the engine and install the compression gauge/adaptor combination to the cylinder on which the compression is to be measured.



4. Close the raw water seacock (thru-hull).
 5. Crank the engine and allow the gauge to reach a maximum reading, then record that reading.
 6. Repeat this process for each cylinder.
- Compression pressure 427 psi (30 kgf/cm²) at 290 rpm.
Maximum permissible difference between cylinders is 42.7 psi (3 kgf/cm²)
- NOTE:** If the readings are below the limit, the engine needs repair
7. Re-install the glow plugs (use anti-seize compound on the threads) and reset the fuel shut-off to the run position.
 8. Open the raw water seacock (thru-hull).

LOW COMPRESSION

When low compression is found, determine the cause by applying a small amount of oil in the cylinder thru the glow plug hole. Allow the oil to settle.

Install the pressure gauge and repeat the above test. If the compression reading rises dramatically, the fault is with the rings.

If the compression does not rise, the problem is with the valves.

A slight rise in compression would indicate a problem with both the rings and the valves.

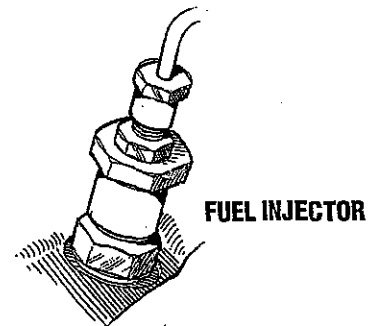
FUEL INJECTORS

In case of severe vibrations and detonation noise, have the injectors checked and overhauled by an authorized fuel injection service center. Poor fuel quality, contaminants and loss of positive fuel pressure to the injection pump can result in injector faults. Since fuel injectors must be serviced in a clean room environment, it is best to carry at least one extra injector as a spare should a problem occur.

Before removing the old injector, clean the area around the base of the injector to help prevent any rust or debris from falling down into the injector hole. If the injector will not lift out easily and is held in by carbon build-up or the like, work the injector side-to-side with the aid of the socket wrench to free it, and then lift it out.

The injector seats in the cylinder head on a copper sealing washer. This washer should be removed with the injector and replaced with a new washer when the new injector is installed.

Injector to Cylinder Head Tightening Torque 40 ± 4 ft-lb (5.5 ± 0.5 kgf-m)



FUEL INJECTORS

REMOVING THE INJECTORS

NOTE: Injector must be serviced in a "clean room" environment.

1. Disconnect the high pressure lines from the injectors and loosen the lines at their attachment to the injection pump and move them out of the way of the injectors. Avoid bending the lines.
2. Using a 17mm long socket, remove the fuel return line in its entirety from the top of the injectors. Take care not to lose the two sealing washers and banjo bolt that attaches the fuel return line to each injector.

NOTE: Clean the area around the base of the injector prior to lifting it out of the cylinder head to help prevent any rust or debris from falling down into the injector hole. If the injector will not lift out easily and is held in by carbon build up or the like, work the injector side to side with the aid of the 17mm deep socket wrench to free it and then lift it out.

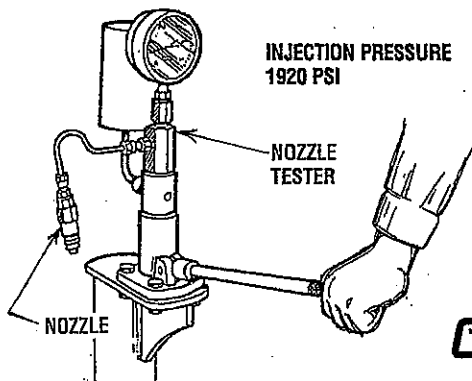
3. The injector seats in the cylinder head on a copper sealing washer. This washer should be removed with the injector and replaced with a new washer when the injector is reinstalled.

INJECTION TESTING

1. Using the nozzle tester, check the spray pattern and injection starting pressure of nozzle and, if it exceeds the limit, adjust or replace the nozzle. When using nozzle tester, take the following precautions:

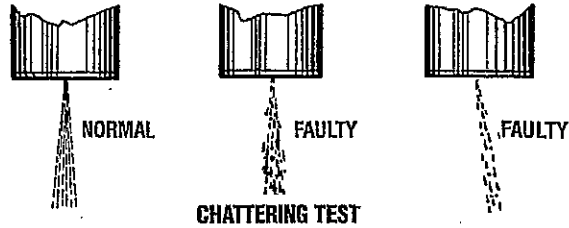
CAUTION: The spray injected from the nozzle is of such velocity that it may penetrate deeply into the skin of fingers and hands, destroying tissue. If it enters the bloodstream, it may cause blood poisoning.

- a. If the diesel fuel of the nozzle tester is discolored, replace it. At the same time, clean or replace the filter.
- b. Set the nozzle tester in a clean place where there is no dust or dirt.
- c. Mount the nozzle and nozzle holder on the nozzle tester.
- d. Use the fuel at the approximate temperature of 68° F (20° C)
- e. Operate the hand lever of nozzle tester several times to bleed the air in the nozzle line, then move the hand lever at intervals of one stroke per second while reading the injection starting pressure.



Inspecting Spray Pattern

1. Operate the hand lever of the nozzle tester at intervals of one stroke per second to check if the fuel is injected correctly in its axial direction. A nozzle is defective if it injects fuel in an oblique direction or in several separate strips. Also, a spray in the form of particles indicates a defect. These defects may sometimes be caused by clogging with dust and, therefore, all parts should be carefully cleaned before reassembly. (Care should be taken not to expose one's skin to this spray as it may penetrate the skin and cause infection.)

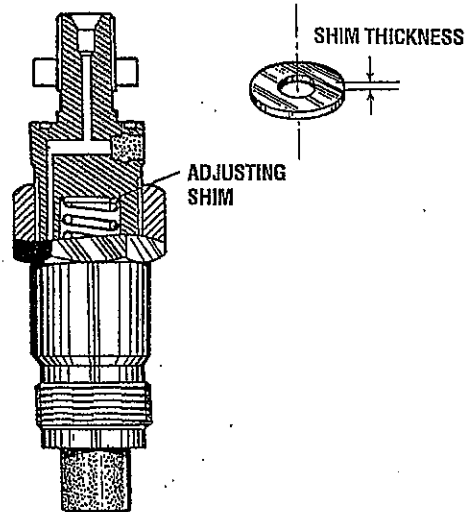


2. Apply the pressure of 1635 lb/in² (115 kg/cm²) to nozzle by operating the hand lever, and check the drips from the nozzle tip. If it drips or has a large accumulation of fuel on the bottom, it is considered defective and should be replaced. A very small amount of fuel may sometimes remain on the tip of the nozzle; however, this does not indicate a defect.



The injection starting pressure for the injectors is adjusted by increasing or decreasing the thickness of the adjusting shim.

The shim has 10 different thicknesses for every 0.0020 in (0.05 mm), between 0.0049 in (1.25 mm), to 0.0669 in (1.7 mm). With each 0.0020 in (0.05 mm) increase, injection pressure is increased approximately 71.1 lb/in² (5.0 kg/cm²). When replacing the shim, grip the retaining nut in a vise and remove the body with a wrench. Tighten the retaining nut to the specified torque:



FUEL INJECTION TIMING

PREPARATION

- Close the fuel shut-off valve.
- Disconnect the No.1 fuel injection pipe from the cylinder head and injection pump.
- Remove No.1 delivery valve holder from the injection pump. Remove the delivery valve and spring from the holder. Restore the delivery valve holder only to the injection pump.
- Connect the fuel injection pipe to the injection pump.
- Hold the speed control lever in the low speed position. (Generator) remove the fuel shut-off solenoid.

INSPECTION [Fuel Flow Method]

- Open the fuel shut-off valve. Turn the key switch to the ON position and press preheat.

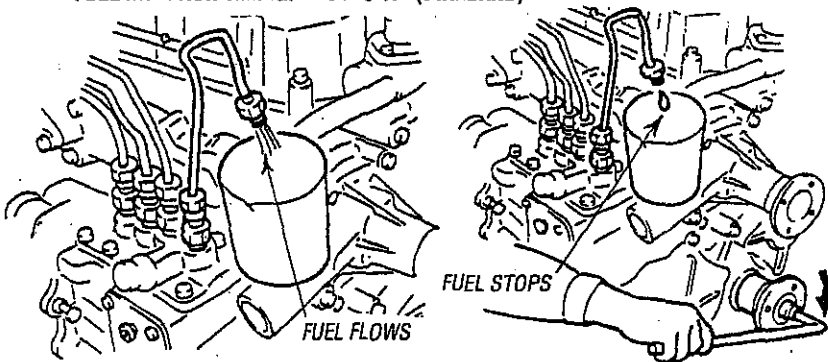
NOTE: Fuel will come from the injection pipe with high pressure when the starter switch key is turned to ON position if the engine is equipped with an electric fuel pump. Direct fuel flow into the container.

- Slowly turn the crankshaft clockwise, looking at the open end of the injection pipe. The instant fuel stops coming out is the fuel injection timing.

NOTE: Turn the crankshaft in reverse direction just a little and do step b again to verify the injection timing.

- The fuel injection timing is correct if the IT mark on the crankshaft pulley is aligned with the mark on the timing gear case when fuel stops from the injection pipe.

FUEL INJECTION TIMING: BTDC 17° (STANDARD)



ALTERNATE METHOD

In the fuel flow method, the delivery valve has to be removed. As a result, there is a good chance for dirt particles to get inside the fuel injection pump. In this alternate method, however, it is not necessary to remove the delivery valve.

- Disconnect No.1 fuel injection pipe at the fuel injection nozzle (cylinder head).
- Prime the fuel system.
- Slowly turn the crankshaft clockwise until fuel just swells at the free end of the injection pipe and, at that instant, check the position of the IT mark with respect to the mark on the gear case. This timing is approximately 1° retarded. Take this 1° retardation into account when making a shim adjustment.

ADJUSTMENT

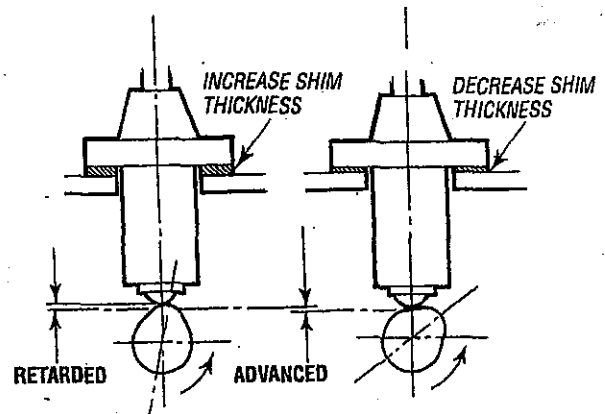
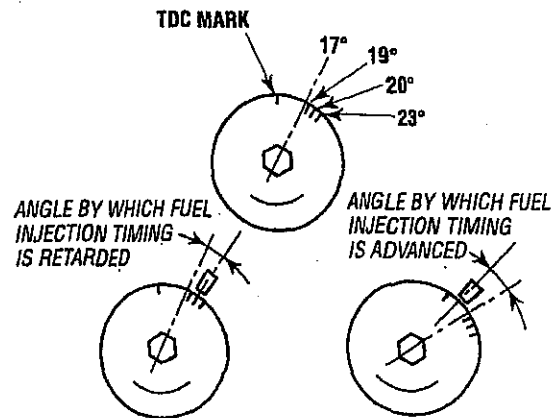
- If the fuel injection timing is incorrect, change the thickness of shims under the fuel injection pump. An increase or decrease of the shims by 0.1mm (0.004 in) will vary the timing by 1°.
- Increase the thickness of the shims to retard the timing or decrease it to advance the timing.

ADJUSTMENT RANGE: STANDARD $\pm 1.5^\circ$

Four kinds of shims are available in thicknesses 0.2mm (0.0079 in), 0.3mm (0.0118 in), 0.4mm (0.0157 in) and 0.8mm (0.0315 in). These shims have no identification, measure the thickness of each shim with calipers before using it.

CAUTION: Apply sealant to both faces of each shim to prevent oil leaks.

- After the timing has been adjusted, make sure it is correct.
- Close the fuel filter valve and restore the delivery valve and injection pipe to the original state.



GLOW PLUGS

DESCRIPTION

The glow plugs are wired through the preheat solenoid. When PREHEAT is pressed at the control panel this solenoid should "click" on and the glow plug should begin to get hot.

INSPECTION

To inspect the plug, remove the electrical terminal connections, then unscrew or unclamp each plug from the cylinder head. Thoroughly clean each plug's tip and threads with a soft brush and cleaning solution to remove all the carbon and oil deposits. While cleaning, examine the tip for wear and burn erosion; if it has eroded too much, replace the plug.

TESTING

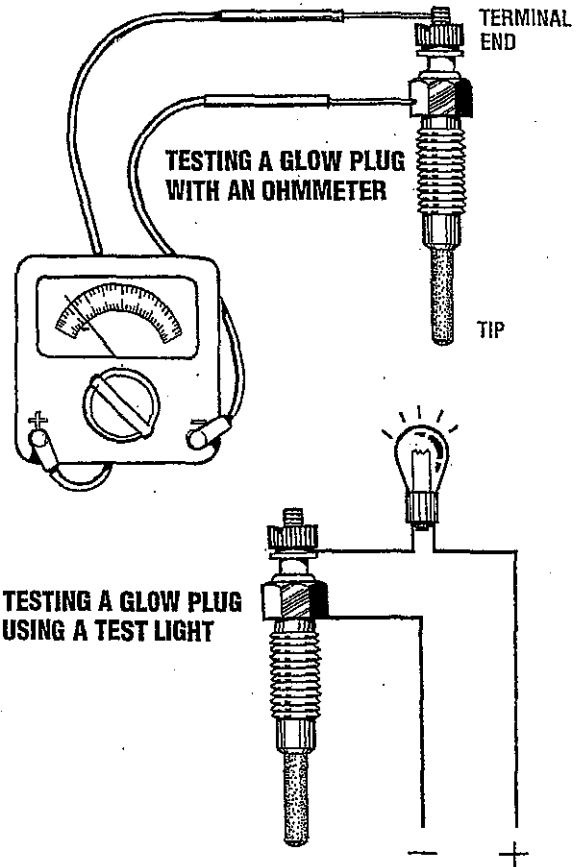
An accurate way to test glow plugs is with an ohmmeter. Touch one prod to the glow plug's wire connection, and the other to the body of the glow plug, as shown. A good glow plug will have a 0.4 - 0.6 ohm resistance. This method can be used with the plug in or out of the engine. You can also use an ammeter to test the power drain (5 - 6 amps per plug).

WARNING: These glow plugs will become very hot to the touch. Be careful not to burn your fingers when testing the plugs.

Re-install the plugs in the engine and test them again. The plugs should get very hot (at the terminal end) within 7 to 15 seconds. If the plugs don't heat up quickly, check for a short circuit. When reinstalling the glow plugs, use anti-seize compound on the threads.

WARNING: Do not keep a glow plug on for more than 30 seconds.

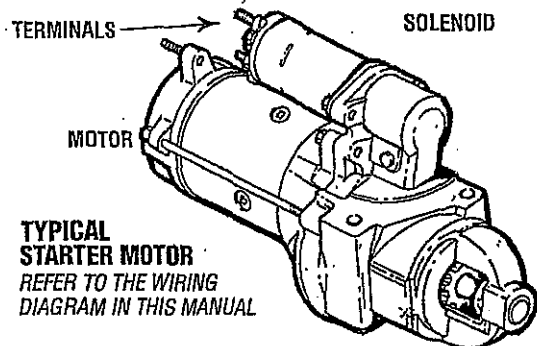
Glow Plug Tightening Torque 7 - 11 ft-lb (1.0 - 1.5 m-kg)



STARTER MOTOR

DESCRIPTION

The starter is a new type, small, light-weight and is called a high-speed internal-reduction starter. The pinion shaft is separate from the motor shaft; the pinion slides only on the pinion shaft. A reduction gear is installed between the motor shaft and a pinion shaft. The pinion sliding part is not exposed outside the starter so that the pinion may slide smoothly without becoming fouled with dust and grease. The motor shaft is supported at both ends on ball bearings. The lever mechanism, switch and overrunning clutch inner circuit are identical to conventional ones.



TROUBLESHOOTING

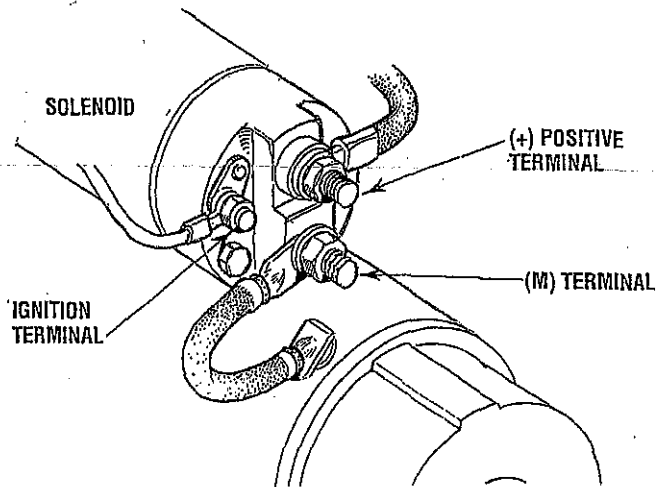
⚠ WARNING: *The following emergency starting procedures must not be used with gasoline engines. Sparks could cause an explosion and fire.*

Prior to testing, make certain the ship's batteries are at full charge and that the starting system wiring connections (terminals) are clean and tight. Pay particular attention to the ground wire connections on the engine block.

To check the wiring, try cranking the starter for a few seconds, never more than 10 seconds at a time, then run your hand along the wires and terminals looking for warm spots that indicate resistance. Repair or replace any trouble spots.

Using a multimeter, test the voltage between the positive terminal stud on the start solenoid and the engine block (ground).

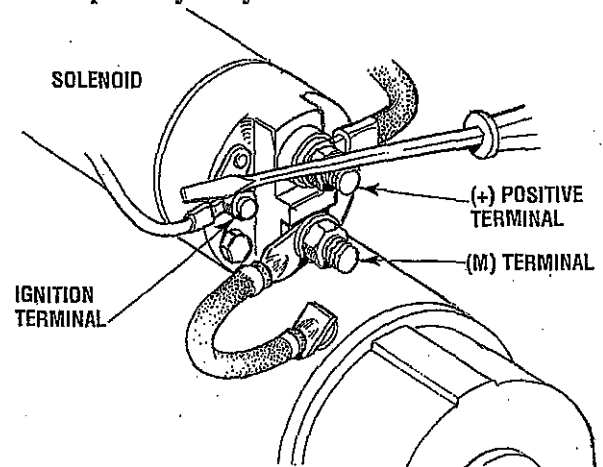
If you read 12 volts, the starter is faulty.



To test the ignition circuit, locate the ignition(s) terminal (it is one of the small terminal studs and is wired to the ignition circuit). Use a screwdriver, don't touch the blade, to jump from that ignition terminal to the positive battery connection terminal on the solenoid.

If the starter cranks, the fault lies with the ignition circuit.

If the solenoid clicks but nothing happens, the starter motor is probably faulty.

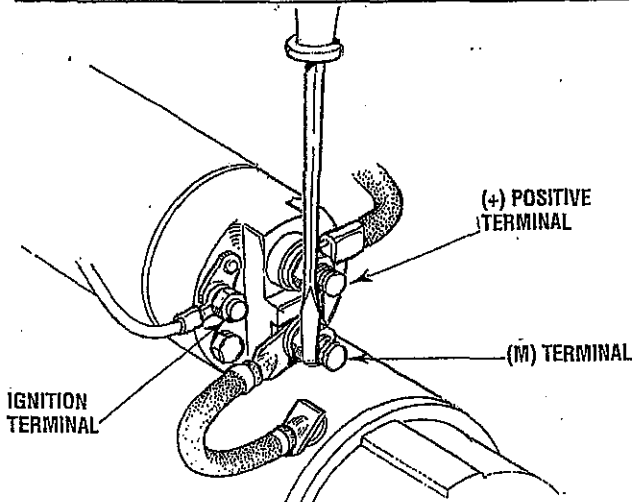


If nothing happens at all, the solenoid is not getting current. Check the battery isolation switch and inspect the wiring connections. It is also possible that the solenoid is defective.

⚠ WARNING: *There will be arcing and sparks will fly when jumping terminals. Be certain the engine space is free of potentially explosive fumes, especially gasoline, and that there are NO flammable solvents or materials stored nearby.*

STARTER MOTOR

⚠ WARNING: When performing these procedures, position yourself safely away from the moving parts of the engine in case the engine starts-up. Also warn other crew members of the danger.



Test again by jumping the two large terminal studs. Hold the screwdriver blade firmly between the studs. Do not allow the screwdriver blade to touch the solenoid or starter casing, this would cause a short.

⚠ WARNING: There will be arcing as the full starting current should be flowing thru the blade of the screwdriver.

If the starter spins, the solenoid is faulty.

If the starter fails to spin, the motor is probably faulty.

If no arcing occurred, there is no juice reaching the solenoid.

NOTE: Starter motors are either inertia type or pre-engaged. In the pre-engaged model, the solenoid also moves an arm that engages the starter motor to the flywheel of the engine. using a screwdriver to bypass the solenoid on such a starter will run the motor without engaging the flywheel. Turn the starter switch on to provide power to the solenoid. Hopefully it will create enough magnetic field for the arm to move even though the contacts inside the solenoid are bad.

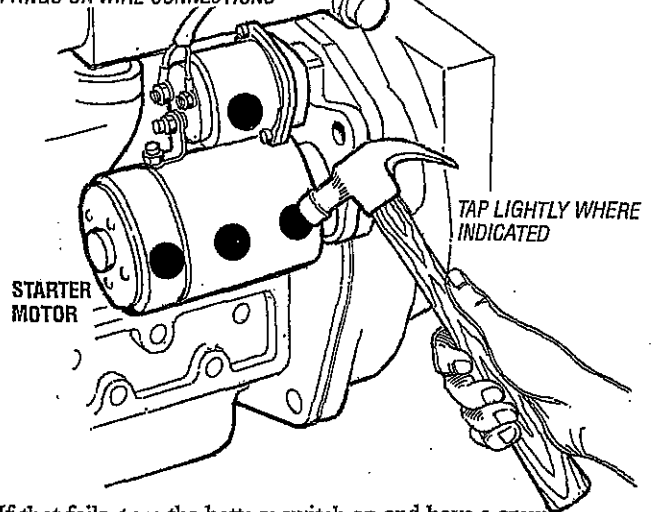
EMERGENCY START

Corrosion to the starter brushes and/or the solenoid contacts can cause the sporadic problem of the engine starting one time but not another. If corrosion is the problem, the starter will need to be rebuilt.

It is however, sometimes possible to get started by taping the starter lightly with a small hammer.

With the battery switch off and no ignition, tap lightly on the starter/solenoid casing as shown, then try to start the engine.

CAREFULLY NOT TO HIT FITTINGS OR WIRE CONNECTIONS



If that fails, turn the battery switch on and have a crew member turn the ignition on and off rapidly as you tap again with the hammer. This may loosen the brushes and allow contact to start the engine. When you reach a repair facility, the starter will need to be repaired.

SERVICE

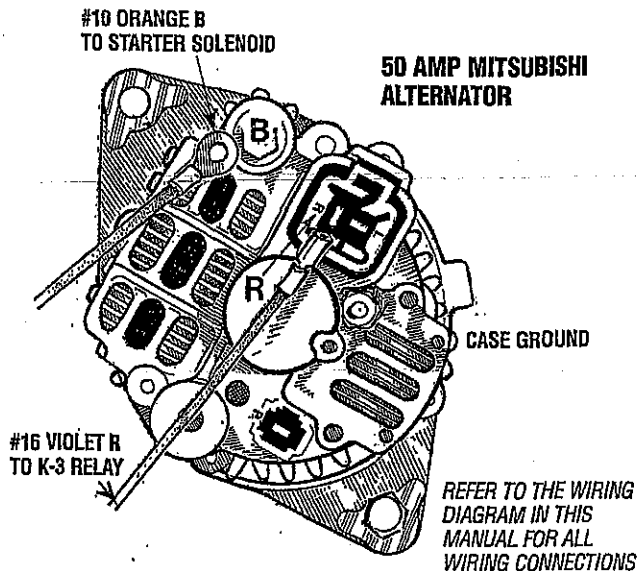
WESTERBEKE uses a standard starter motor which can be serviced or rebuilt at any starter motor automotive service center.

If replacing the starter motor, make certain the new motor is certified for marine use. Automotive starters do not meet USCG standards. If in doubt, contact your WESTERBEKE dealer.

TO REMOVE FOR SERVICE

1. Disconnect the negative battery cable.
2. If necessary, remove any components to gain full access to the starter motor.
3. Label and disconnect the wiring from the starter. (Do not allow wires to touch, tape over the terminals).
4. Remove the starter mounting bolts.
5. Remove the starter from the engine. In some cases the starter will have to be turned to a different angle to clear obstructions,

ALTERNATORS TESTING/TROUBLESHOOTING



DESCRIPTION

The following information applies to the standard alternators that are supplied with WESTERBEKE'S Engines and Generators.

ELECTRICAL CHARGING CIRCUIT

The charging system consists of an alternator with a voltage regulator, an engine DC wiring harness, a mounted DC circuit breaker and a battery with connecting cables. Because of the use of integrated circuits (IC's), the electronic voltage regulator is very compact and is mounted internally or on the back of the alternator.

It is desirable to test the charging system (alternator and voltage regulator) using the wiring harness and electrical loads that are a permanent part of the system and will then provide the technician with an operational test of the charging system as well as the major components of the electrical system.

ALTERNATOR DESCRIPTION

The stator is connected to a three-phase, full-wave bridge rectifier package which contains six diodes. The bridge converts the AC generated in the stator to a DC output for battery charging and accessories,

Power to the regulator and the field of the integral regulator alternator is provided by the field diode (or diode trio) package contained in the alternator.

These alternators produce a rated output of 50 or 51 amps. rated output is achieved at approximately 6000 alternator rpm at an ambient temperature of 75°F (23.8°C). The alternators are designed to operate in an ambient temperature range of -40° to 212°F (-40° to 100°C).

VOLTAGE REGULATOR

The integral voltage regulator is an electronic switching device which senses the system voltage level and switches the voltage applied to the field in order to maintain a proper system voltage.

The regulator design utilizes all-silicon semi conductors and thick-film assembly techniques. After the voltage has been adjusted to the proper regulating value, the entire circuit is encapsulated to protect the circuit and the components from possible damage due to handling or vibration.

ALTERNATOR TROUBLESHOOTING

Use this troubleshooting section to determine if a problem exists with the charging circuit or with the alternator. If it is determined that the alternator or voltage regulator is faulty, have a qualified technician check it.

⚠ WARNING: A working alternator runs hot. A failed alternator can become very hot. Do not touch the alternator until it has cooled.

LOW BATTERY/FAULTY CIRCUIT

If the starter only moans or makes a clicking sound instead of spinning the engine to life it is likely a low battery or a faulty connection in the starting circuit and not an alternator problem.

PRELIMINARY INSPECTION

Before starting the actual alternator and voltage regulator, testing the following checks are recommended.

1. Make certain your alternator is securely mounted.
2. Check the drive belts for proper tension. Replace the belt if it is worn or glazed.
3. Check that all terminals, connectors and plugs are clean and tight. Loose or corroded connections cause high resistance and this could cause overcharging, undercharging or damage to the charging system. Badly corroded battery cables could prevent the battery from reaching a fully charged condition.
4. Check the condition of the battery and charge if necessary. A low or discharged battery may cause false or misleading readings in the tests.

NOTE: An isolator with a diode, a solenoid, or a battery selector switch is usually mounted in the circuit to isolate the batteries so the starting battery is not discharged along with the house batteries. If the isolator is charging the starting battery but not the house battery, the alternator is OK and the problem is in the battery charging circuit.

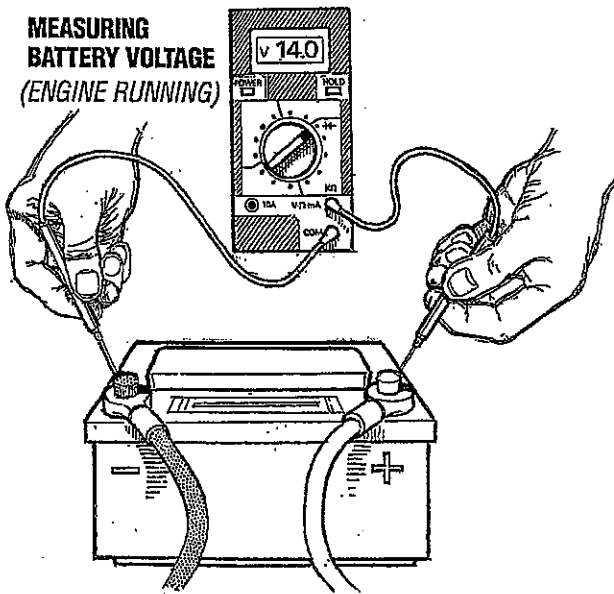
ALTERNATORS TESTING/TROUBLESHOOTING

TESTING THE ALTERNATOR

CAUTION: Before starting the engine make certain that everyone is clear of moving parts! Keep away from sheaves and belts during test procedures.

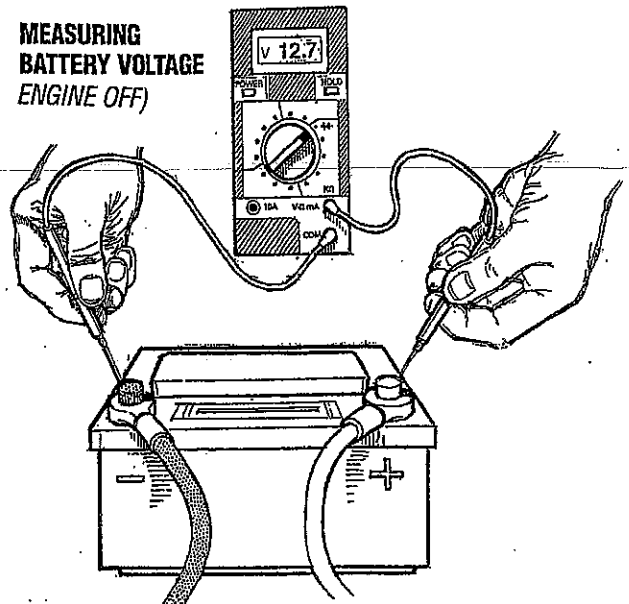
1. Start the Engine.
2. After the engine has run for a few minutes, measure the starting battery voltage at the battery terminals using a multimeter set on DC volts.
 - a. If the voltage is increasing toward 14 volts, the alternator is working.
 - b. If the voltage remains around 12 volts, a problem exists with either the alternator or the charging circuit; continue with Steps 3 through 6.

MEASURING BATTERY VOLTAGE (ENGINE RUNNING)



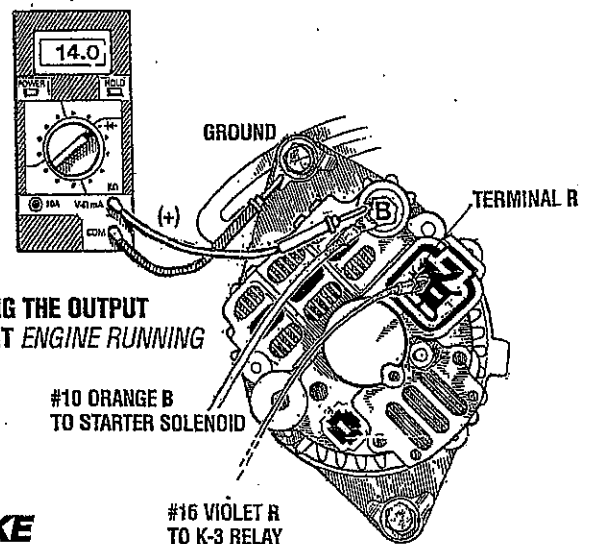
3. Turn off the engine. Inspect all wiring and connections. Ensure that the battery terminals and the engine ground connections are tight and clean.
4. If a battery selector switch is in the charging circuit, ensure that it is on the correct setting.
5. Check the battery voltage. If your battery is in good condition the reading should be 12 to 13 volts.

MEASURING BATTERY VOLTAGE (ENGINE OFF)



TESTING THE OUTPUT CIRCUIT

1. Connect the positive probe to the output terminal B and connect the negative probe to ground.
2. Wiggle the engine wiring harness while observing the voltmeter. The meter should indicate the approximate battery voltage, and should not vary. If no reading is obtained, or if the reading varies, check the alternator output circuit for loose or dirty connections or damaged wiring.
3. Start the engine.
4. Repeat the same measurement, the negative probe to ground, the positive probe to B with the engine running. The voltage reading should be between 13.5 and 14.5 volts. If your alternator is over or under-charging, have it repaired at a reliable service shop.
5. If the previous test reads only battery voltage at terminal B, use the meter to measure the DC excitation terminal. If 12 volts is not present at exciter terminal R, inspect the wiring for breaks and poor connections. Jump 12 volts from a 12 volt source (such as the battery) and operate the alternator. If the voltage output is 13-14 volts, . . . then the alternator is OK.

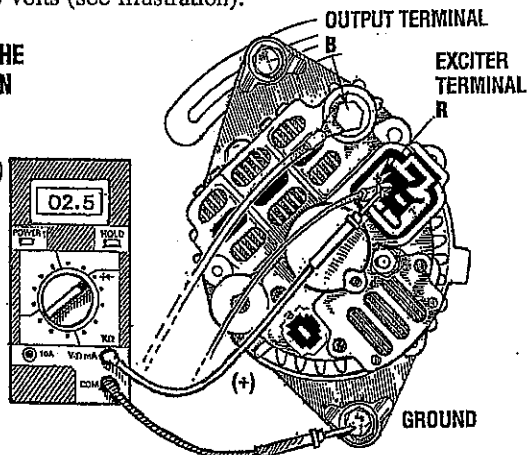


ALTERNATORS TESTING/TROUBLESHOOTING

TESTING THE EXCITATION CIRCUIT

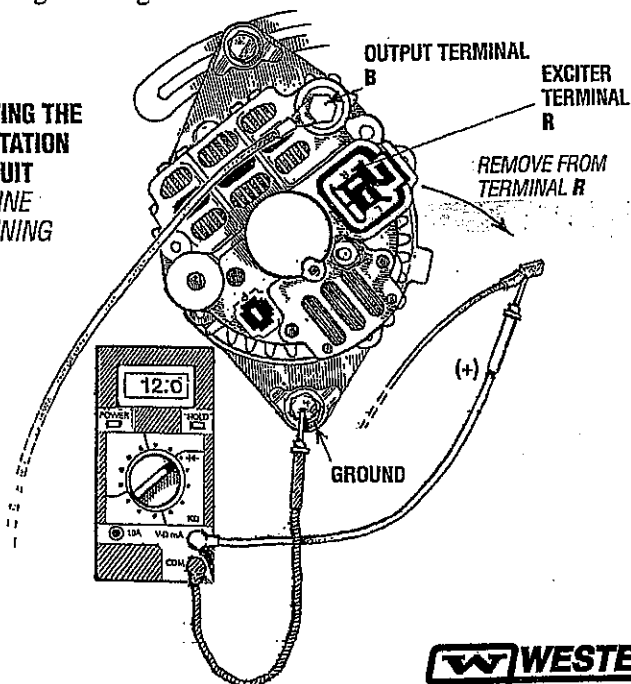
1. Connect the positive (+) multimeter probe to the excitation terminal **R** on the alternator and the negative (-) lead to ground.
2. Turn the battery switch to the on position and note the multimeter reading. The reading should be 1.3 to 2.5 volts (see illustration).

TESTING THE EXCITATION CIRCUIT (ENGINE RUNNING)



3. If the reading is between .75 and 1.1 volts, the rotor field circuit probably is shorted or grounded.
4. If the reading is between 6.0 and 7.0 volts, the rotor field circuit probably is open.
5. If no reading is obtained, an open exists in the alternator-excitation lead or in the excitation circuit of the regulator. Disconnect the lead from exc terminal **R**. Connect the positive multimeter probe to the excitation lead and the negative multimeter probe to ground. If the multimeter now indicates an approximate battery voltage, the voltage regulator is defective and must be replaced. If no voltage is indicated, check the excitation circuit for loose or dirty connections or damaged wiring.

TESTING THE EXCITATION CIRCUIT ENGINE RUNNING



CHECKING THE SERVICE BATTERY

Check the voltage of the service battery. This battery should have a voltage between 13 and 14 volts when the engine is running. If not, there is a problem in the service battery charging circuit. Troubleshoot the service battery charging circuit by checking the wiring and connections, the solenoid, isolator, battery switch, and the battery itself.

When the problem has been solved and before the alternator is back in operation, take the time to tighten and clean the terminal studs. Also clean the connecting terminals from the wiring harness.

ALTERNATOR REPAIR

If tests indicate a failed alternator, it will need to be disassembled and repaired. Any good alternator service shop can do the job.

NOTE: WESTERBEKE'S Service Manual has detailed instructions for the disassembly and repair of their standard alternators.

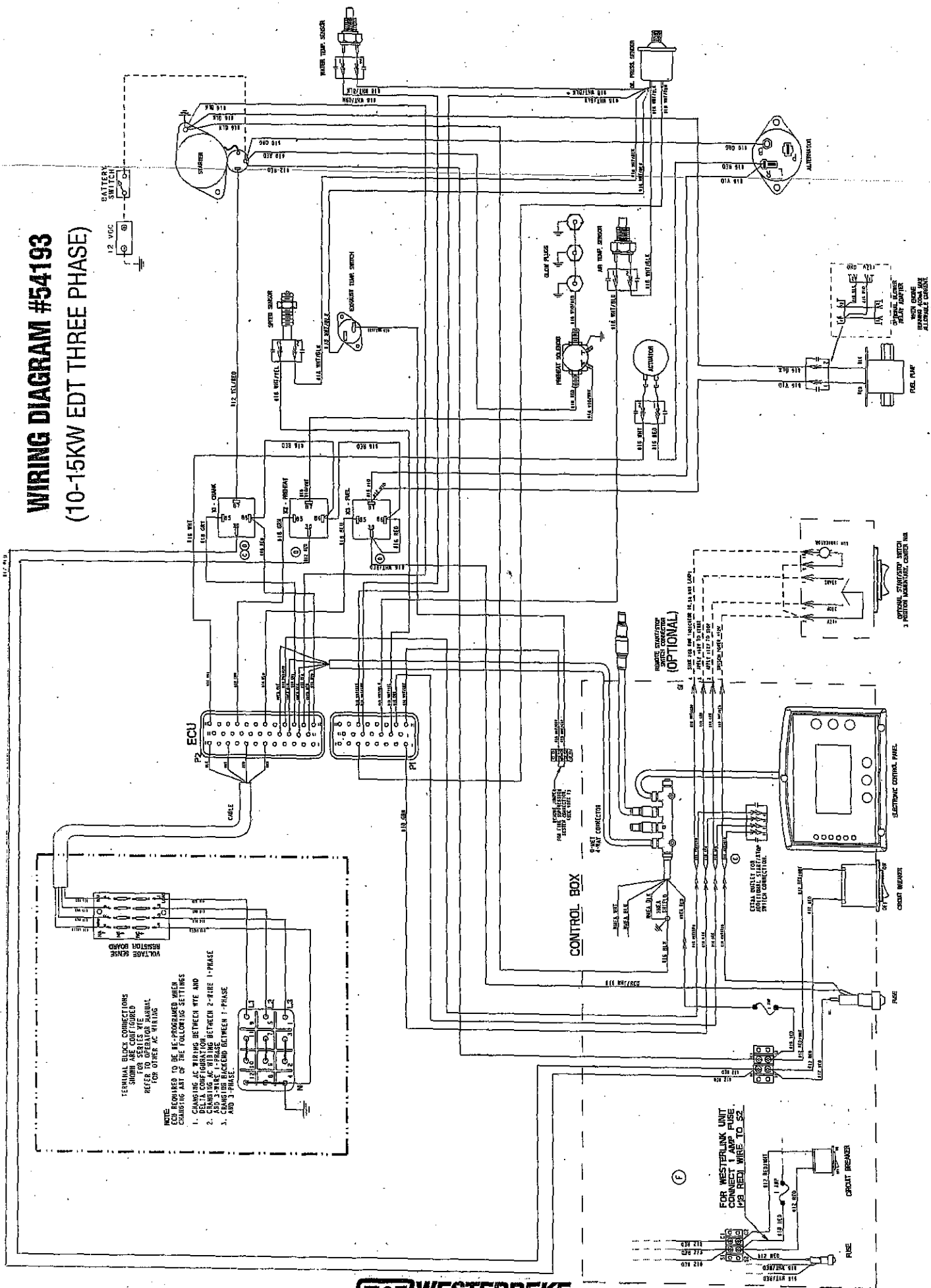
BATTERY CARE

The minimum recommended capacity of the battery used in the engine's 12 volt DC control circuit is 600 - 900 Cold Cranking Amps (CCA).

Review the manufacturer's recommendations and then establish a systematic maintenance schedule for your engine's starting batteries and house batteries.

- Monitor your voltmeter for proper charging during engine operation.
- Check the electrolyte level and specific gravity with a hydrometer.
- Use only distilled water to bring electrolytes to a proper level.
- Make certain that battery cable connections are clean and tight to the battery posts (and to your engine).

WIRING DIAGRAM #54193 (10-15KW EDT THREE PHASE)



TERMINAL BLOCK CONNECTIONS SHOWN ARE FOR SEALS. WIRE REFER TO OPERATOR MANUAL FOR OTHER AC WIRING.

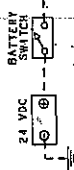
NOTE: RECOMMENDED TO BE RE-PROGRAMMED WHEN CHANGING PART OF THE FOLLOWING SETTINGS

1. CHANGING AC WIRING BETWEEN WYE AND DELTA CONFIGURATION.
2. CHANGING AC WIRING BETWEEN 2-PHASE 1-PHASE AND 3-PHASE.
3. CHANGING BACKEND BETWEEN 1-PHASE AND 3-PHASE.

OPTIONAL START/STOP SWITCH CONNECTION IS TO BE MADE PER MANUFACTURER'S ALLOWABLE CURRENT.

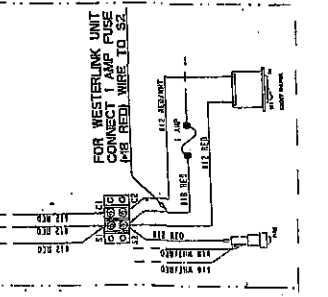
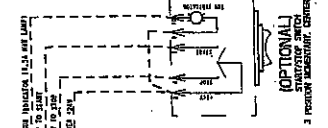
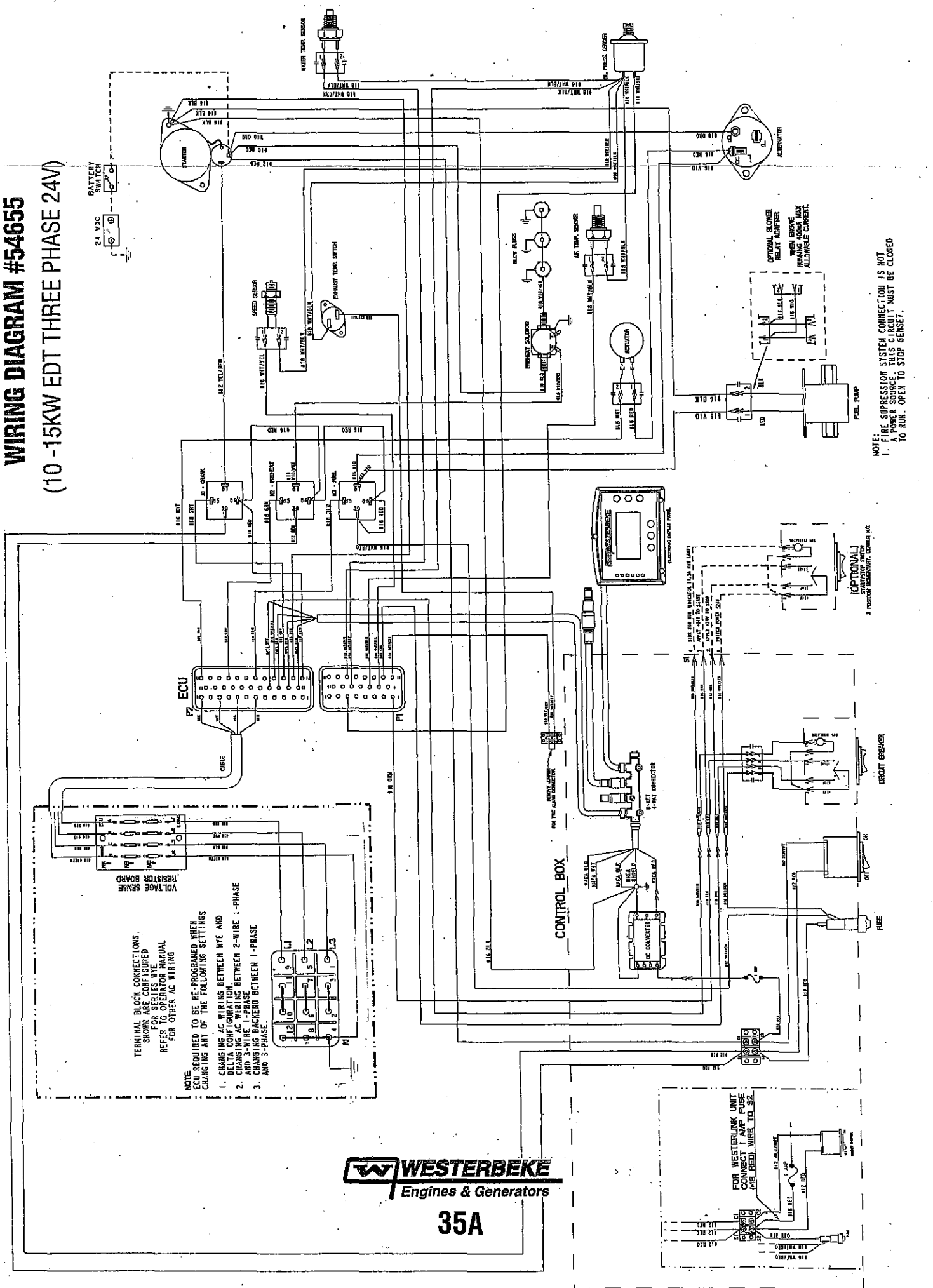
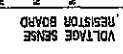
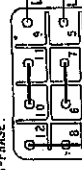
NOTE: 1. FIRE SUPPRESSION SYSTEM CONNECTION IS NOT A POWER SOURCE. THIS CIRCUIT MUST BE CLOSED TO STOP. OPEN TO STOP RESET.

WIRING DIAGRAM #54655 (10-15KW EDT THREE PHASE 24V)



NOTE: TERMINAL BLOCK CONNECTIONS SHOWN ARE CONFIGURED FOR SERIES WYE. MANUAL REFER TO OPERATING MANUAL FOR OTHER AC WIRING.

- NOTE: ECU REQUIRED TO BE RE-PROGRAMMED WHEN CHANGING ANY OF THE FOLLOWING SETTINGS:
1. CHANGING AC WIRING BETWEEN WYE AND DELTA CONFIGURATION.
 2. CHANGING AC WIRING BETWEEN 2-WIRE 1-PHASE AND 3-WIRE 1-PHASE.
 3. CHANGING BACKOVER BETWEEN 1-PHASE AND 3-PHASE.



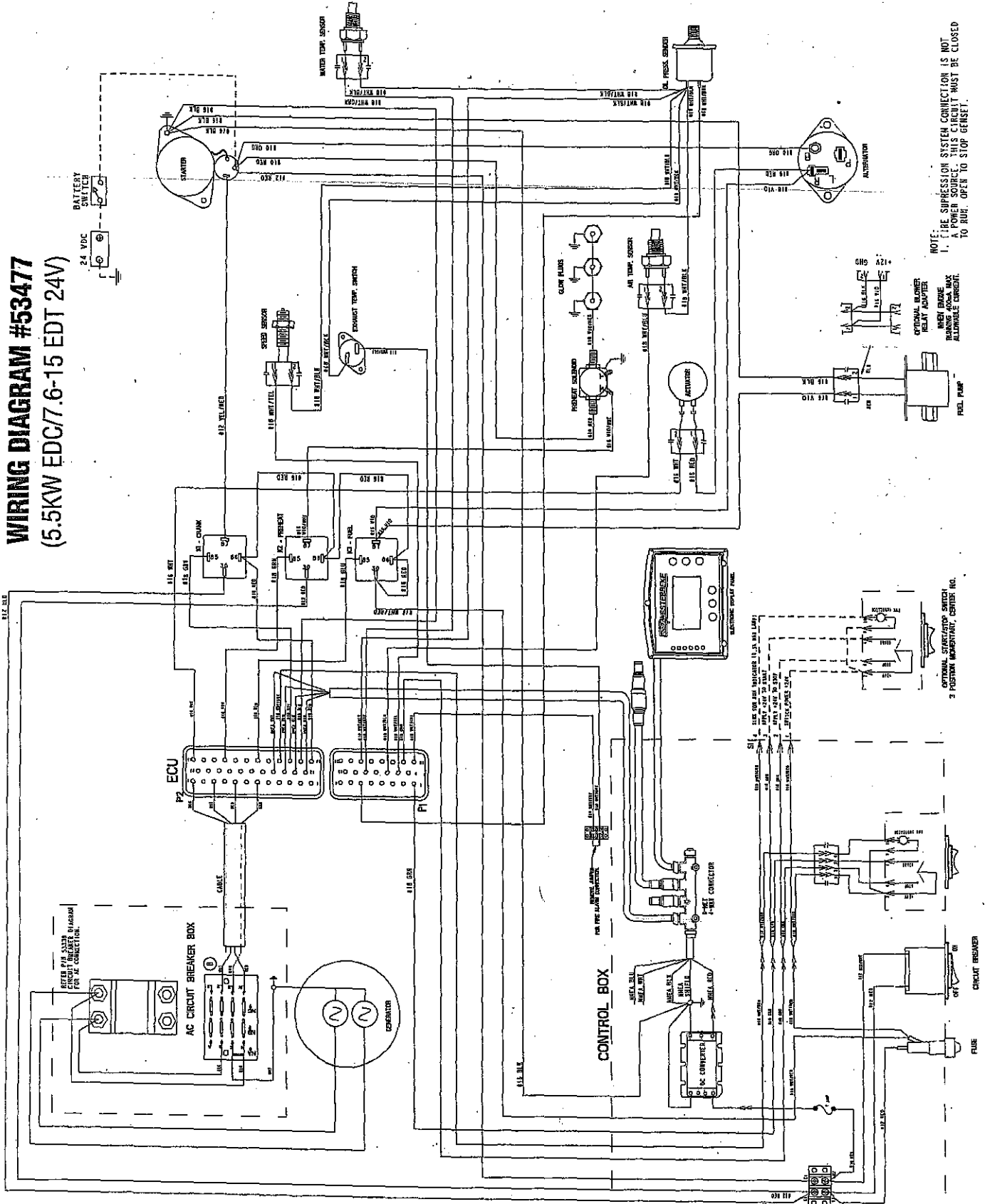
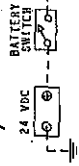
NOTE: THE SUPPRESSION SYSTEM CONNECTION IS NOT FOR POWER SOURCE. THIS CIRCUIT MUST BE CLOSED TO RUN. OPEN TO STOP GENSET.



35A

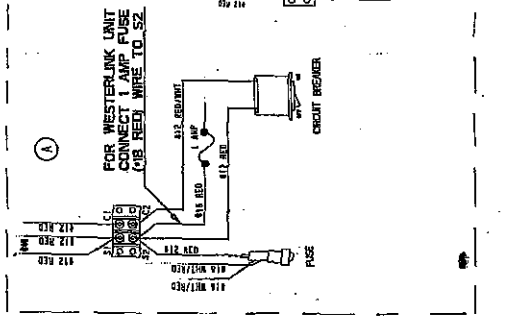
WIRING DIAGRAM #53477

(5.5KW EDC/7.6-15 EDT 24V)



NOTE: THE SUPPRESSION SYSTEM CONNECTION IS NOT A POWER SOURCE. THIS CIRCUIT MUST BE CLOSED TO RUN, OPEN TO STOP GENERATOR.

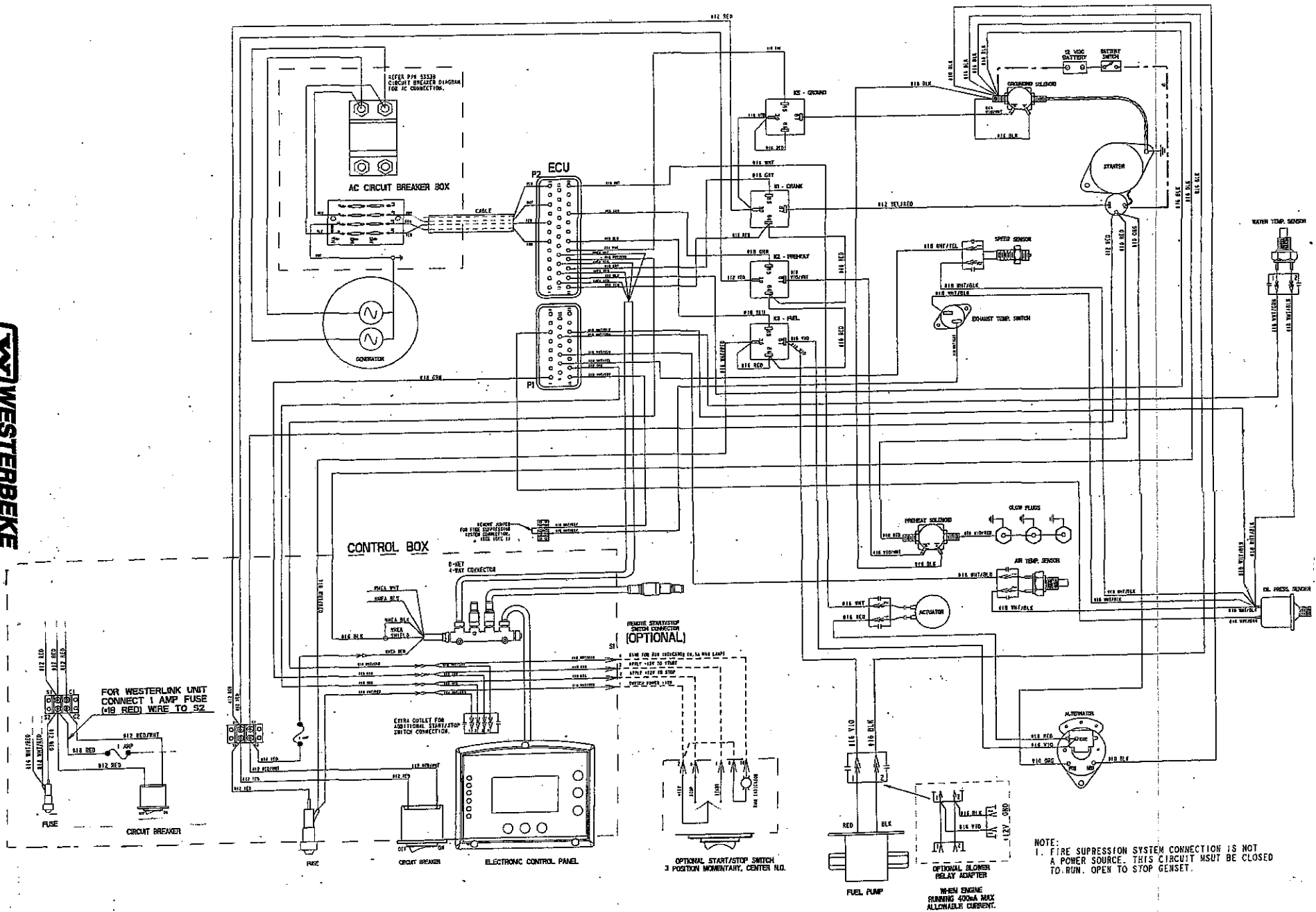
OPTIONAL START/STOP SWITCH
3 POSITION: ON/OFF/STOP, CENTER NO.



WIRING DIAGRAM #54628 (5.5 EDC/7.6 - 15KW EDT) 12VDC Ungrounded

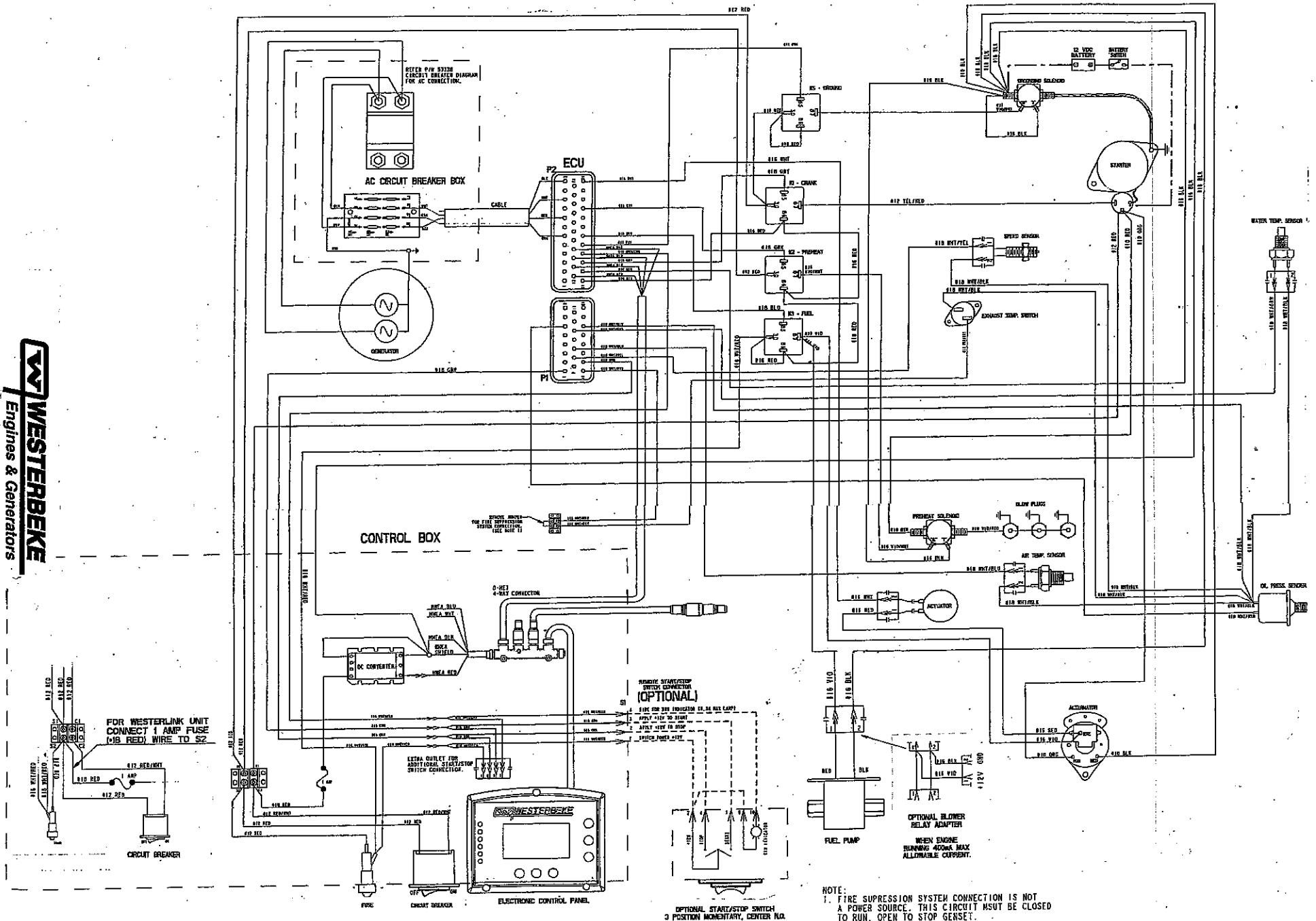
WESTERBEKE
Engines & Generators

35C



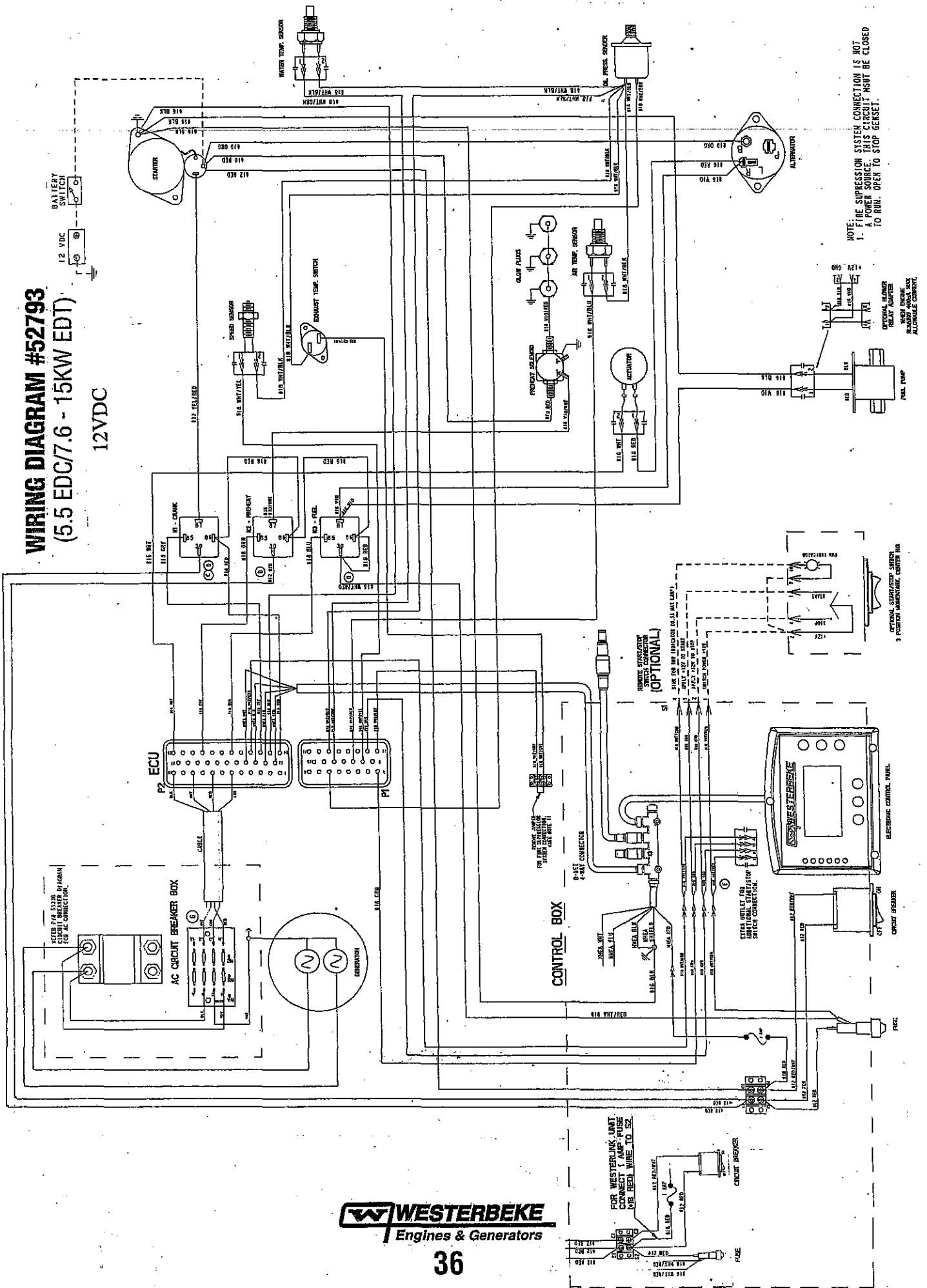
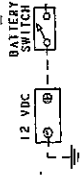
WIRING DIAGRAM #54680 (5.5 EDC/7.6 - 15KW EDT 24V) Ungrounded

WESTERBEKE
 Engines & Generators
35D



WIRING DIAGRAM #52793 (5.5 EDC/7.6 - 15KW EDT)

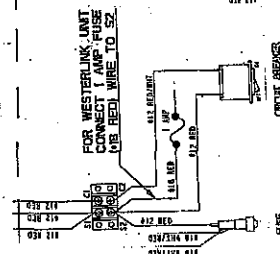
12VDC



NOTE:
1. FIRE SUPPRESSION SYSTEM CONNECTION IS NOT A POWER SOURCE. THIS CIRCUIT MUST BE CLOSED TO RUN. OPEN TO STOP GENSET.

OPTIONAL BLOWER RELAY ADAPTER
WRENCH END ONLY. NOT TO BE USED FOR ALLOWABLE CURRENT.

OPTIONAL STARTER SWITCH
3 CUSTOM AMERICAN, CENTER RA



GENERATOR INFORMATION

USE OF ELECTRIC MOTORS

The power required to start an electric motor is considerably more than is required to keep it running after it is started. Some motors require much more current to start than others. Split-phase (AC) motors require more current to start, under similar circumstances, than other types. They are commonly used on easy-starting loads, such as washing machines, or where loads are applied after the motor is started, such as small power tools. Because they require 5 to 7 times as much current to start as to run, their use should be avoided, whenever possible, if the electric motor is to be driven by a small generator. Capacitor and repulsion-induction motors require from 2 to 4 times as much current to start as to run. The current required to start any motor varies with the load connected to it. An electric motor connected to an air compressor, for example, will require more current than a motor to which no load is connected.

In general, the current required to start 115-Volt motors connected to medium starting loads will be approximately as follows:

MOTOR SIZE (HP)	AMPS FOR RUNNING (AMPERES)	AMPS FOR STARTING (AMPERES)
1/6	3.2	6.4 to 22.4*
1/4	4.6	9.2 to 32.2*
1/3	5.2	10.4 to 72.8*
1/2	7.2	14.4 to 29.2*
3/4	10.2	20.4 to 40.8*
1	13	26 to 52

***NOTE:** In the above table the maximum Amps for Starting is more for some small motors than for larger ones. The reason for this is that the hardest starting types (split-phase) are not made in larger sizes.

Because the heavy surge of current needed for starting motors is required for only an instant, the generator will not be damaged if it can bring the motor up to speed in a few seconds. If difficulty is experienced in starting motors, turn off all other electrical loads and, if possible, reduce the load on the electric motor.

REQUIRED OPERATING SPEED

Run the generator first with no load applied, then at half the generator's capacity, and finally loaded to its full capacity as indicated on the generator's data plate. The output voltage should be checked periodically to ensure proper operation of the generating plant and the appliances it supplies. If an AC voltmeter or ammeter is not installed to monitor voltage and load, check it with a portable meter and amprobe.

NOTE: When the vessel in which the generator is installed contains AC equipment of 120 volts only, it is recommended that the generator's AC terminal block be configured to provide one 120 volt AC hot leg for the vessel's distribution panel. This will ensure good motor starting response from the generator.

GENERATOR FREQUENCY ADJUSTMENT

Frequency is a direct result of engine/generator speed, as indicated by the following:

- When the generator is run at 1800 rpm, the AC voltage output frequency is 60 Hertz.
- When the generator is run at 1500 rpm, the AC voltage output frequency is 50 Hertz.

Therefore, to change the generator's frequency/voltage, the generator's drive engine's speed must be changed using the dipswitch on the ECU. The AC output configuration of the generator changed and the connections on the voltage sensing PC board changed.

GENERATOR MAINTENANCE

- Maintaining reasonable cleanliness is important. Connections of terminal boards and rectifiers may become corroded, and insulation surfaces may start conducting if salts, dust, engine exhaust, carbon, etc. are allowed to build up. Clogged ventilation openings may cause excessive heating and reduced life of windings.
- For unusually severe conditions, thin rust-inhibiting petroleum-base coatings should be sprayed or brushed over all surfaces to reduce rusting and corrosion.
- In addition to periodic cleaning, the generator should be inspected for tightness of all connections, evidence of overheated terminals and loose or damaged wires.
- The drive discs on single bearing generators should be checked periodically if possible for tightness of screws and for any evidence of incipient cracking failure. Discs should not be allowed to become rusty because rust may accelerate cracking. The bolts which fasten the drive disc to the generator shaft must be hardened steel SAE grade 8, identified by 6 radial marks, one at each of the 6 corners of the head.
- The rear armature bearing is lubricated and sealed; no maintenance is required. However, if the bearing becomes noisy or rough-sounding, have it replaced.
- Examine bearing at periodic intervals. No side movement of shaft should be detected when force is applied. If side motion is detectable, inspect the bearing and shaft for wear. Repair must be made quickly or major components will rub and cause major damage to generator.

Carbon Monoxide Detector

WESTERBEKE recommends mounting a carbon monoxide detector in the vessels living quarters. **Carbon monoxide, even in small amounts, is deadly.**

The presence of carbon monoxide indicates an exhaust leak from the engine or generator or from the exhaust elbow/exhaust hose, or that fumes from a nearby vessel are entering your boat.

If carbon monoxide is present, ventilate the area with clean air and correct the problem immediately!

BT GENERATOR

This generator is a four-pole, brushless, self-excited generator which requires only the driving force of the engine to produce AC output. The copper and laminated iron in the exciter stator are responsible for the self-exciting feature of this generator. The magnetic field produced causes an AC voltage to be induced into the related exciter rotor windings during rotation. Diodes located in the exciter rotor rectify this voltage to DC and supply it to the windings of the rotating field. This creates an electromagnetic field which rotates through the windings of the main stator, inducing an AC voltage which is supplied to a load. A step down transformer is connected in parallel to the AC output of the main stator. An AC voltage is produced in the auxiliary windings of the transformer and the main stator and is, in turn, supplied to a full-wave bridge rectifier. The rectifier produces a DC voltage to further excite the exciter stator windings, enabling the generator to produce a rated AC output. An optional solid-state voltage regulator is available to work in tandem with the transformer regulator to produce a more stable AC output.

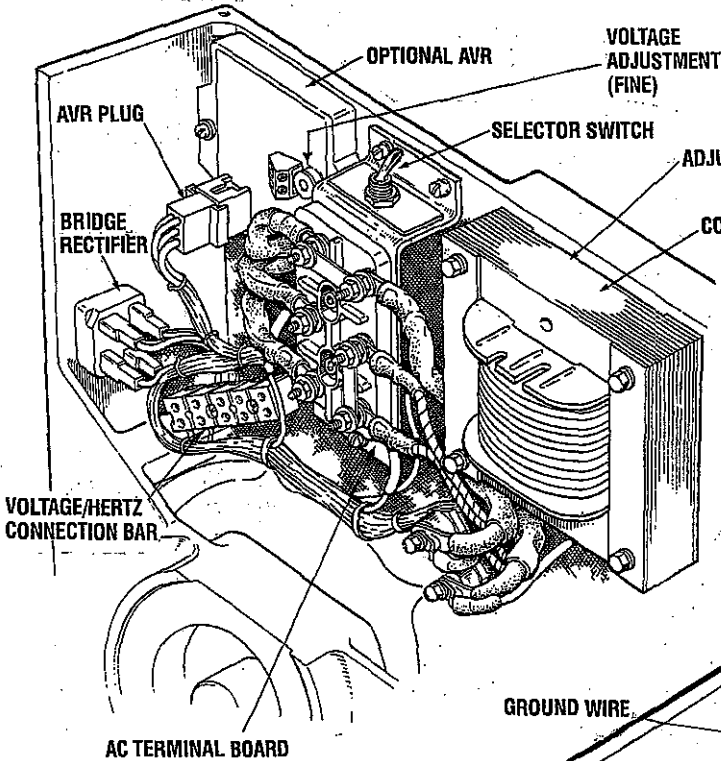
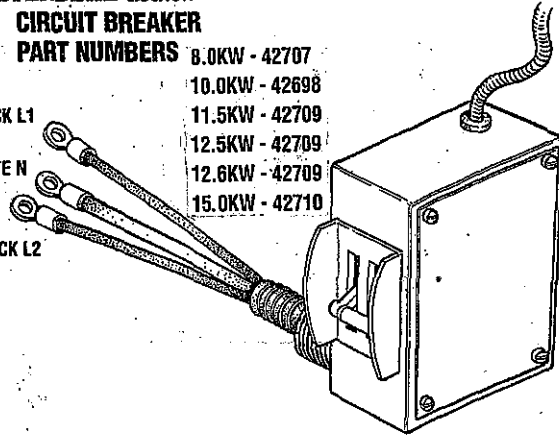
A circuit breaker is installed on all WESTERBEKE generators. This circuit breaker will automatically disconnect generator power in case of an electrical overload. The circuit breaker can be manually shut off when servicing the generator to ensure no power is coming into the boat.

NOTE: This circuit breaker is available as a WESTERBEKE add-on kit for earlier model generations; contact your WESTERBEKE dealer.

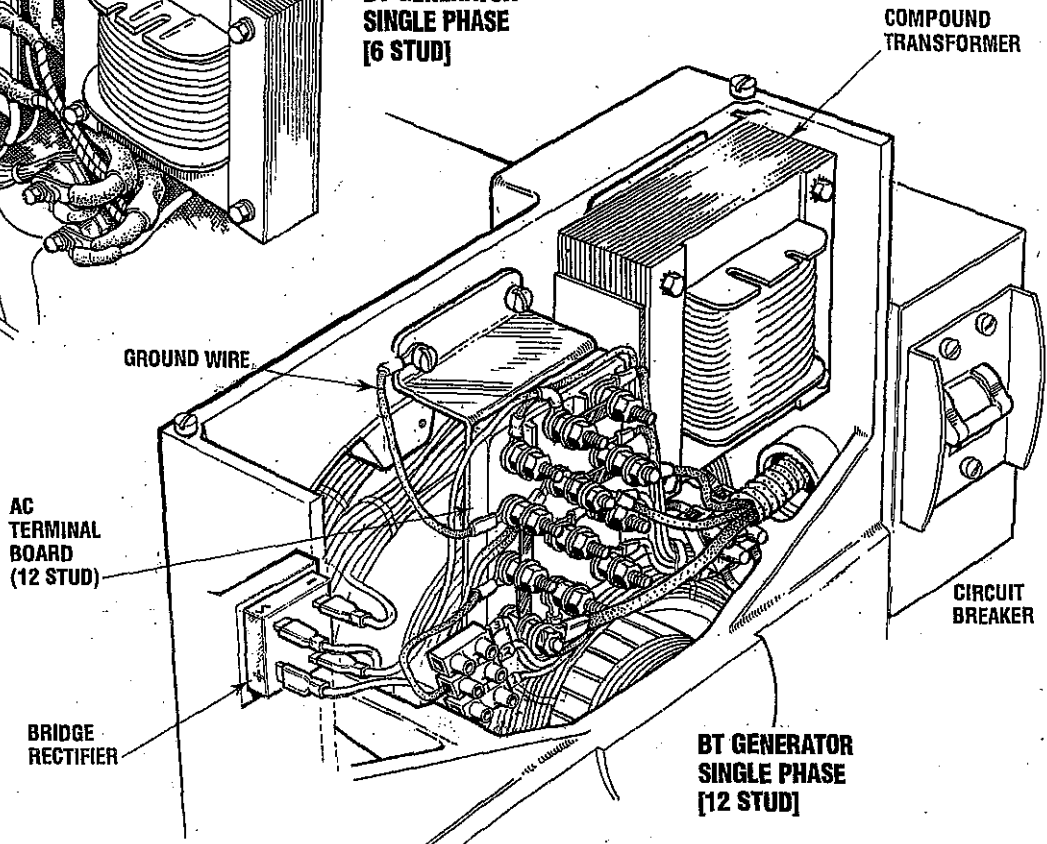
CIRCUIT BREAKER PART NUMBERS

8.0KW	- 42707
10.0KW	- 42698
11.5KW	- 42709
12.5KW	- 42709
12.6KW	- 42709
15.0KW	- 42710

BLACK L1
WHITE N
BLACK L2

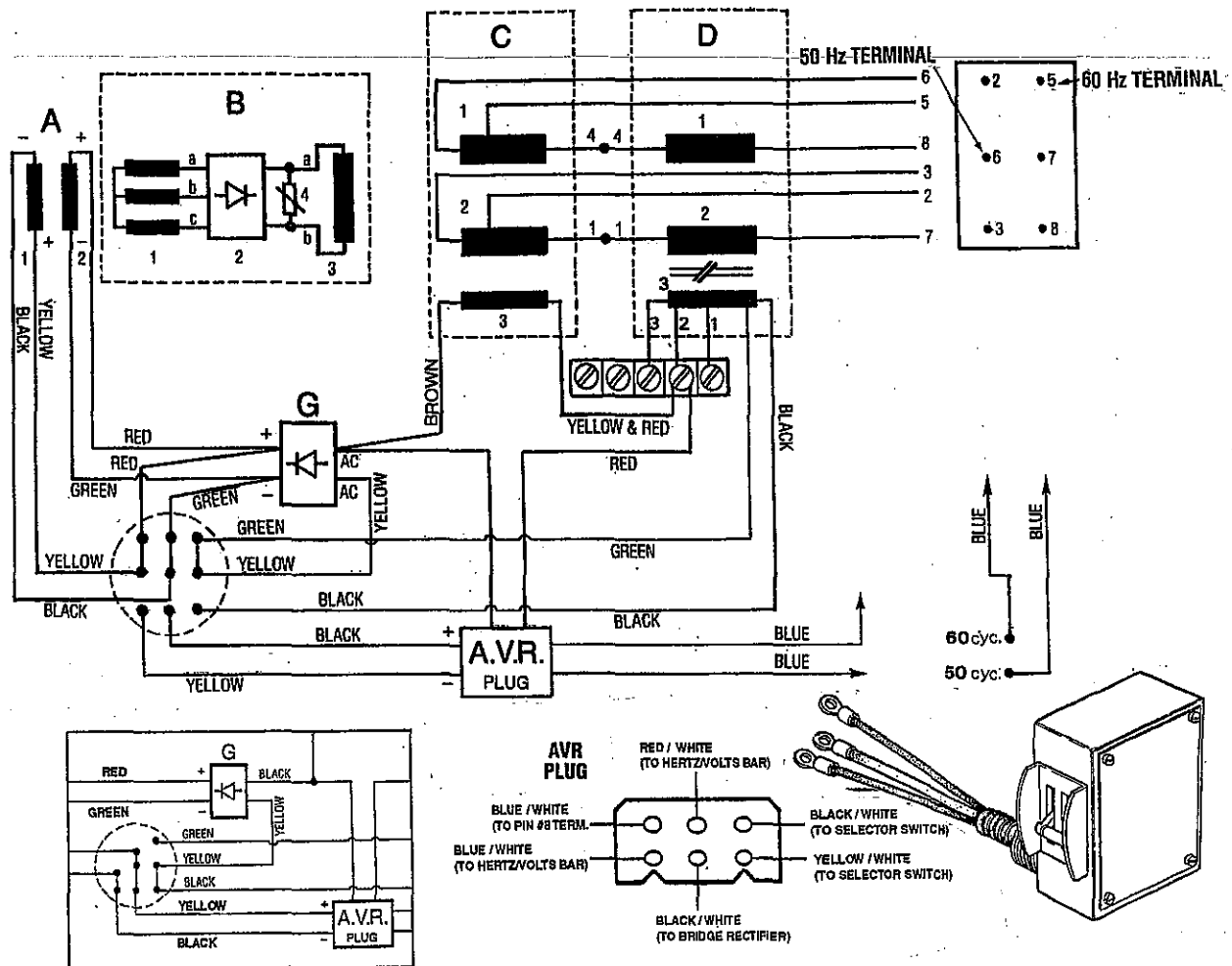


**BT GENERATOR
SINGLE PHASE
[6 STUD]**



**BT GENERATOR
SINGLE PHASE
[12 STUD]**

BT GENERATOR / SINGLE PHASE [SIX STUD]



INTERNAL WIRING SCHEMATIC (SIX STUD) W/OPTIONAL VOLTAGE REGULATOR

A. EXCITER STATOR WINDINGS 1 & 2

A - 1 and A - 2 Exciter Stator Windings
(Selector in **COMP** position)

B. EXCITER ROTOR and FIELD

1. Auxiliary Windings (A - B - C)
2. Diodes (6)
3. Rotating Field Windings
4. Suppressor

C. MAIN STATOR

1. Main Stator Windings
2. Main Stator Windings
3. Main Stator Auxiliary Windings

D. COMPOUND TRANSFORMER

1. Compound Transformer Windings
2. Compound Transformer Windings
3. Compound Transformer Auxiliary Windings

Resistance readings and voltage checks can be accessed easily for the components in the exciter circuit A, G, C-3 and D-3 by locating the color coded wires at the connection points shown on the above schematic. When checking winding resistance values be sure to lift both of the component's electrical connections.

G. BRIDGE RECTIFIER

A.V.R.

Optional Automatic Voltage Regulator Plug (6 Prong).

REFER TO THE FOLLOWING PAGE FOR
AC TERMINAL BLOCK CONNECTIONS

GENERATOR VOLTAGE ADJUSTMENT

NOTE: WESTERBEKE recommends that the following generator adjustments be performed by a qualified technician.

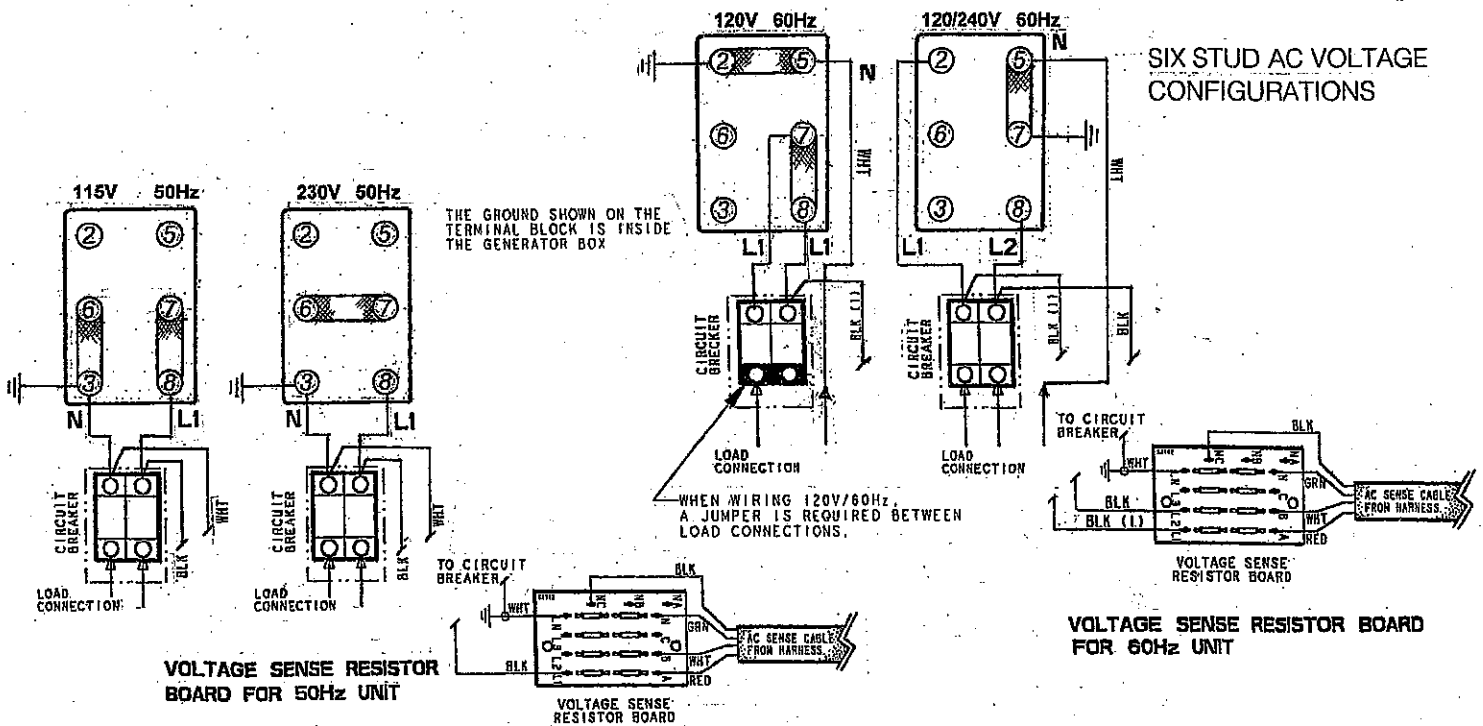
Generator Frequency

1. Frequency is a direct result of engine/generator speed:
 - 1800 rpm = 60 hertz
 - 1500 rpm = 50 hertz
2. To change generator frequency, follow the steps below:
 - a. Reconfigure the AC output connections on the six stud terminal block following the illustrations below. Install the correctly rated AC breaker for the Hertz selected.
 - b. Properly connect the leads from the voltage sensing board to the line connections on the AC breaker and the neutral/ground to the brass neutral/ground stud in the breaker box. When only one line is present, tie off the unused line sense connection.
 - c. **NOTE:** On six stud AC models only, when an optional AVR is installed, reposition the blue/white lead to correspond to the hertz selected on the voltage/hertz connection bar.

- d. Shut off the 20 amp DC panel breaker and move the #1 dipswitch on the ECU to the proper position for the hertz selected - ON for 50 hertz, OFF for 60 hertz. Then turn the DC breaker back on.
- e. Shut off the AC breaker and start the unit. Monitor the no-load AC voltage. If a voltage adjustment is needed, add or remove shim material from under the laminated steel bar of the compound transformer.

60 hertz	No-Load Voltage	121-124 volts
50 hertz	No-Load Voltage	232-235 volts
- f. Close the AC breaker and load the generator and monitor operation.

SIX STUD AC VOLTAGE CONFIGURATIONS



GENERATOR VOLTAGE ADJUSTMENT

NOTE: WESTERBEKE recommends that the following generator adjustments be performed by a qualified technician.

Generator Frequency

1. Frequency is a direct result of engine/generator speed:

1800 rpm = 60 hertz

1500 rpm = 50 hertz

2. To change generator frequency, follow the steps below:

a. Reconfigure the AC output connections on the twelve stud terminal block following the illustrations below. Install the correctly rated AC breaker for the Hertz selected.

b. Properly connect the leads from the voltage sensing board to the line connections on the AC breaker and the neutral/ground to the brass neutral/ground stud in the breaker box. When only one line is present, tie off the unused line sense connection.

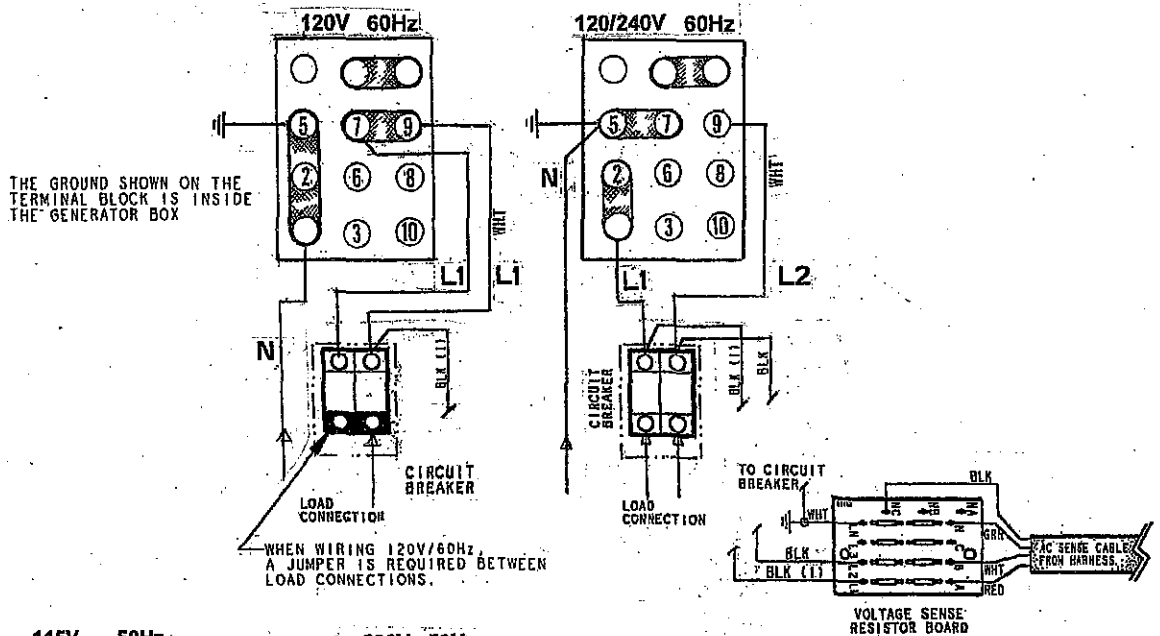
c. Shut off the 20 amp DC panel breaker and move the #1 dipswitch on the ECU to the proper position for the hertz selected - ON for 50 hertz, OFF for 60 hertz. Then turn the DC breaker back on.

d. Shut off the AC breaker and start the unit. Monitor the no-load AC voltage. If a voltage adjustment is needed, add or remove shim material from under the laminated steel bar of the compound transformer.

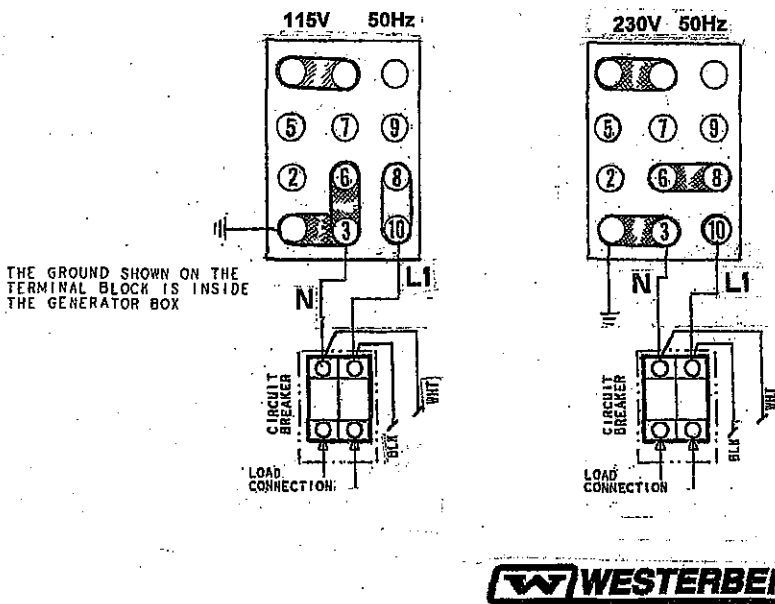
60 hertz	No-Load Voltage	121-124 volts
50 hertz	No-Load Voltage	232-235 volts

e. Close the AC breaker and load the generator and monitor operation.

TWELVE STUD AC VOLTAGE CONFIGURATIONS



VOLTAGE SENSE RESISTOR BOARD FOR 60Hz UNIT



VOLTAGE SENSE RESISTOR BOARD FOR 50Hz UNIT

GENERATOR VOLTAGE ADJUSTMENT

NOTE: WESTERBEKE recommends that the following generator tests and adjustments be performed by a qualified technician.

NO-LOAD VOLTAGE ADJUSTMENT

Voltage adjustment is made with the generator regulation being governed by the compound transformer.

1. The selector switch, if installed, *must* be in the COMP position.
2. To confirm no-load voltage, start the generator and apply a momentary (moderate) load to excite the transformer. The voltage produced by the generator after the momentary load is removed is no-load voltage. Note the voltage output from the generators 120 volt leg(s) (230 volt 50 hertz). The no-load voltage should be between 121 - 124 volts at 60.0 - 60.5 hertz (232 - 236 volts at 50.0 - 50.5 hertz).

NOTE: The no-load voltage should be adjusted to the voltage produced by the generator once started and a momentary load should be applied to excite the transformer and then removed. The voltage produced by the generator after this momentary load is removed is no-load voltage.

3. To raise or lower the voltage, shims of varying thickness (non-conductive material) are placed or removed from under the steel laminated bar on top of the compound transformer. The material used for shimming should not soften at temperatures in the 176° F (80° C) range. A small reduction in no-load voltage (1 to 3 volts) can sometimes be accomplished by gently tapping the top of the laminated steel bar to reduce the gap between the existing shims and the transformer core.

NOTE: No-load voltage may be effected needing readjustment with the compound transformer. Do not use these adjustments to compensate for overload conditions being placed on the generator/engine (inductive-motor type loads). Loss of generator hertz/speed, the result of overload, will cause a drop in voltage output.

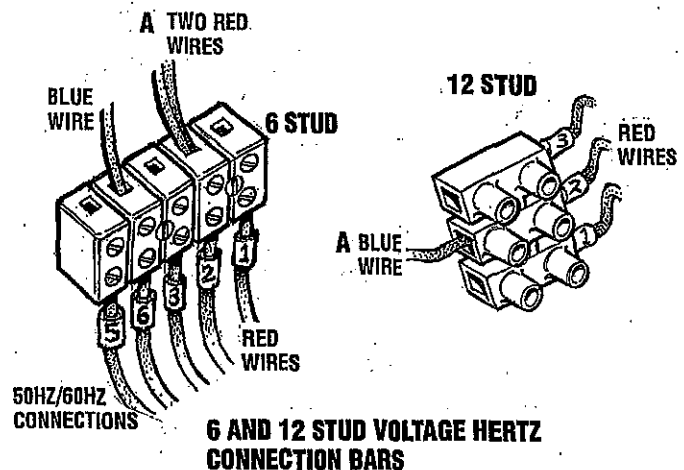
Shim thickness of 0.001 inch will change the no-load voltage by approximately 4 - 6 volts. Adding shim material raises the no-load voltage. Removing shim material lowers no-load voltage.

FULL-LOAD VOLTAGE ADJUSTMENT

The voltage hertz connection bar that is used when changing from 60Hz to 50Hz can also be used to increase or decrease the generators full-load output.

Fine voltage adjustments can be performed by repositioning wires A to leads #1, #2, and #3 increasing the loaded voltage progressively in that order. A no-load voltage adjustment will have to be made as well.

Should full-load output fall below 108 volts-60Hz (210 volts-50Hz), the voltage should be adjusted.



NOTE: When the optional voltage regulator is installed and if the Blue/White (Blue) lead is not correctly positioned to correspond to the Hertz the unit is operating at, the regulator will sense incorrect voltage and cause the generator to produce abnormally high output voltage.

BT GENERATOR SINGLE PHASE

OPTIONAL AUTOMATIC VOLTAGE REGULATOR (AVR)

An optional solid-state voltage regulator (board #34410) is available for use with the BT series generators. When installed, and the regulation switch is moved to the ELEC position, the regulator works together with the standard compound transformer regulator to regulate the generator's voltage output. In the ELEC mode, the regulator provides excitation to the group 1 exciter windings, and the transformer provides excitation to the group 2 exciter windings.

Installation

1. The regulator is mounted using existing tapped holes in the generator's case. Use two (2) M4 x 0.7mm screws, each 15mm long, with lock washers to mount the regulator board.
2. Connect the 6-prong generator plug to the receptacle on the regulator board.

NOTE: The plug is keyed to engage the regulator receptacle in one direction. Check this and insert it correctly.

3. Before moving the selector switch to the ELEC position, the NO-Load voltage produced by the generator when in the COMP position will have to be adjusted. The NO-load voltage should be adjusted down between 114 - 118 volts (60Hz) or 224 - 228 volts (50Hz) following the procedures as explained earlier in this manual.
4. With the generators no load voltage properly adjusted, move the selector switch into the ELEC position. Adjust the regulator board potentiometer to set NO-load voltage to 120 - 122 volts at 60-60.5 hertz (230-234 volts at 50-50.5 hertz). The regulator board is operating in parallel with the compound transformer and should maintain voltage output within + or -5% from No-load to Full-load.

NOTE: Do not use the regulator to force NO-Load voltage down. Use the compound transformer for this function. Using the regulator to perform this causes the regulator to use more exciter circuit power. This leaves less exciter circuit power for loaded conditions.

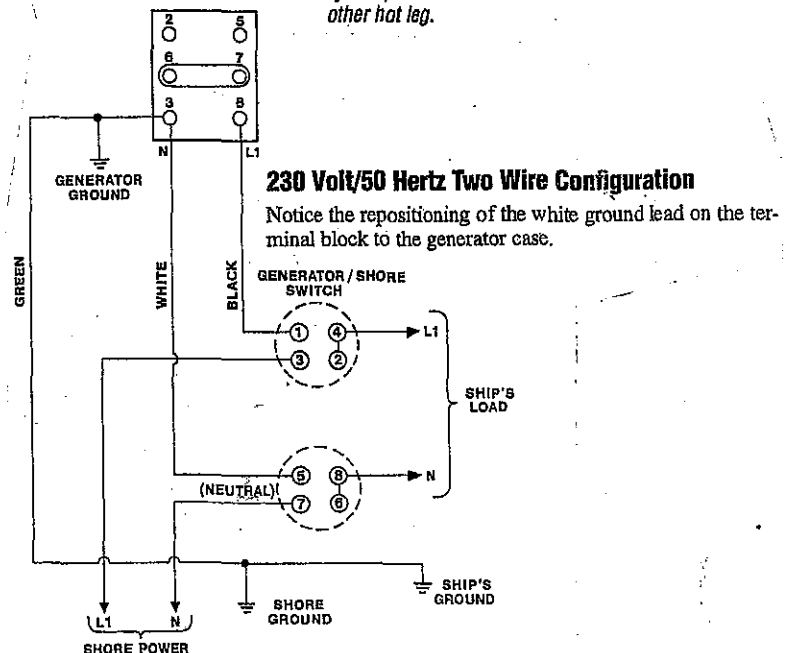
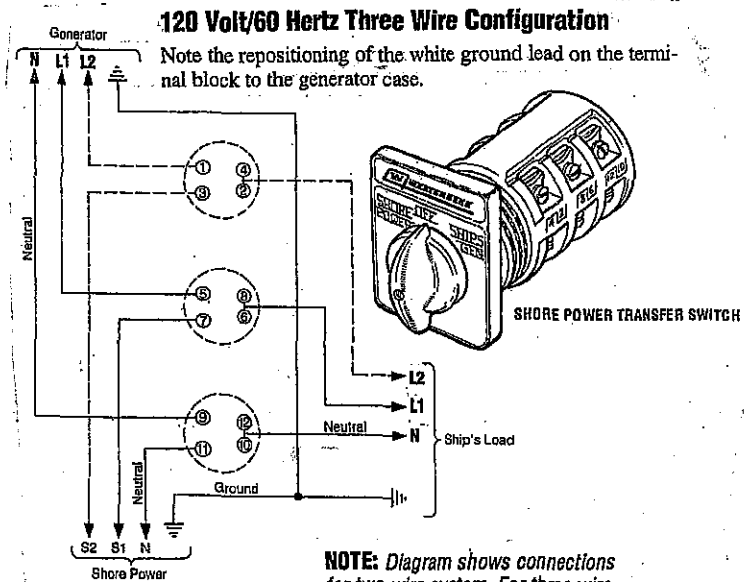
NOTE: Ship to shore switches are available at your WESTERBEKE dealer.

CAUTION: Heavy motor leads should be shut off before switching shore power to generator power or vice-versa because voltage surges induced by switching with heavy AC loads on the vessel being operated may cause damage to the exciter circuit components in the generator.

Shore Power Connections (60 Hertz)

If the installer connects shore power to the vessel's AC circuit, this must be done by means of the Shore Power Transfer Switch. Set the transfer switch shown in the diagrams to the OFF position. This switch prevents simultaneous connection of shore power to generator output.

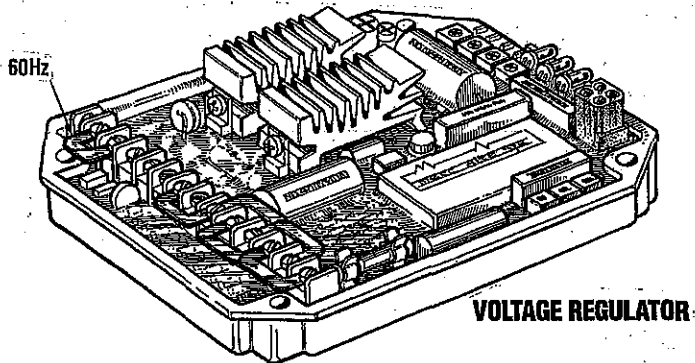
CAUTION: Damage to the generator can result if utility shore power and generator output are connected at the same time. This type of generator damage is not covered under the warranty; it is the installer's responsibility to make sure all AC connections are correct.



BT GENERATOR VOLTAGE REGULATOR ADJUSTMENTS [THREE PHASE]

Description

The voltage regulator is an advanced design which ensures optimum AC generator performance. It is equipped with complete protection circuitry to guard against operating conditions that could be detrimental to the AC generator.



Volts

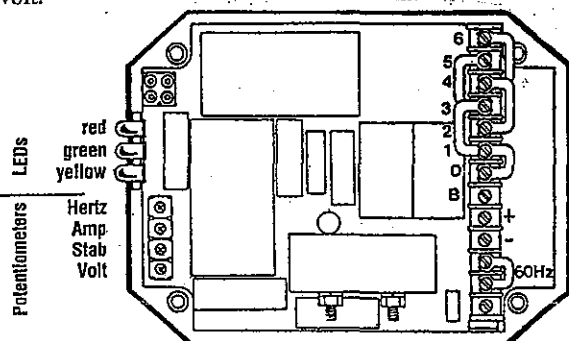
This potentiometer is used to adjust output voltage. At proper engine operating speed the output voltage should be held at $\pm 1\%$ from a no-load condition to a full rated generator output and from power factor 1.0 - 0.8 with engine drive speed variations up to -6% . Prior to starting the engine, turn the VOLT and STAB trimmers (using a mini phillips screwdriver) fully in a counter clockwise (Minimum) direction until you feel them hit their stops. Turn the AMP and HERTZ trimmers completely clockwise (Maximum) in the same manner. With the generator running at no-load, at normal speed, and with VOLT adjust at minimum, it is possible that output voltage will oscillate. Slowly rotate the VOLT adjust clockwise. The voltage output will increase and stabilize. Increase the voltage to the desired value. In this situation, only the green LED will stay lit.

Stability

This potentiometer permits variation of the regulator's response to generator load changes so as to limit overcompensation and obtain a minimum recovery time to the normal voltage output.

In order to adjust the regulator stability the generator must be running at no-load and the output must be monitored.

Turn the STAB adjust slowly clockwise until the voltage starts to fluctuate. At this point rotate the STAB adjust counterclockwise until the voltage is stable within 1 or 2 tenths of a volt.



VOLTAGE REGULATOR DIAGRAM

Amp-Hertz

These two adjustments are used in conjunction with the two protection circuits in the voltage regulator that are indicated by the illumination of colored LED lights.

1. Delayed overload protection (yellow LED).
2. Low speed protection (red LED).

Both systems have an intervention threshold which can be adjusted using the respective potentiometer. Each of the two circuits are able to cause an adequate reduction in excitor voltage to safeguard the excitor windings and prevent their overheating.

The overload protection system has a delay which permits temporary overloading of the generator during times such as motor start-up or other similar load surge demands. The regulator also has a third LED (green), that glows during generator operation to indicate correct operation of the regulator with the generator.

Setting the Overload Protection

In order to set the AMP overload protection, the generator must be loaded to its full output rating.

1. Load the generator to its rating, then decrease the speed of the engine by 10.10% (54 Hertz on 60 hertz units, 45 hertz on 50 hertz units).
2. Rotate the AMP adjustment counterclockwise until it hits its stop. Wait about 15-20 seconds after which the AC output of the generator should drop and the yellow LED light should come on.
3. Slowly rotate the AMP adjustment clockwise until the output voltage increases to approximately 97% of the voltage output at the start of the adjustment. At this point the yellow LED light should come on.
4. Return to nominal speed, the yellow LED will turn off and the generator voltage will rise to its normal value. Should this not happen, repeat the adjustment.

NOTE: When changing from 60 hertz to 50 hertz operation, remove the 60 hertz jumper bar from the regulator board.

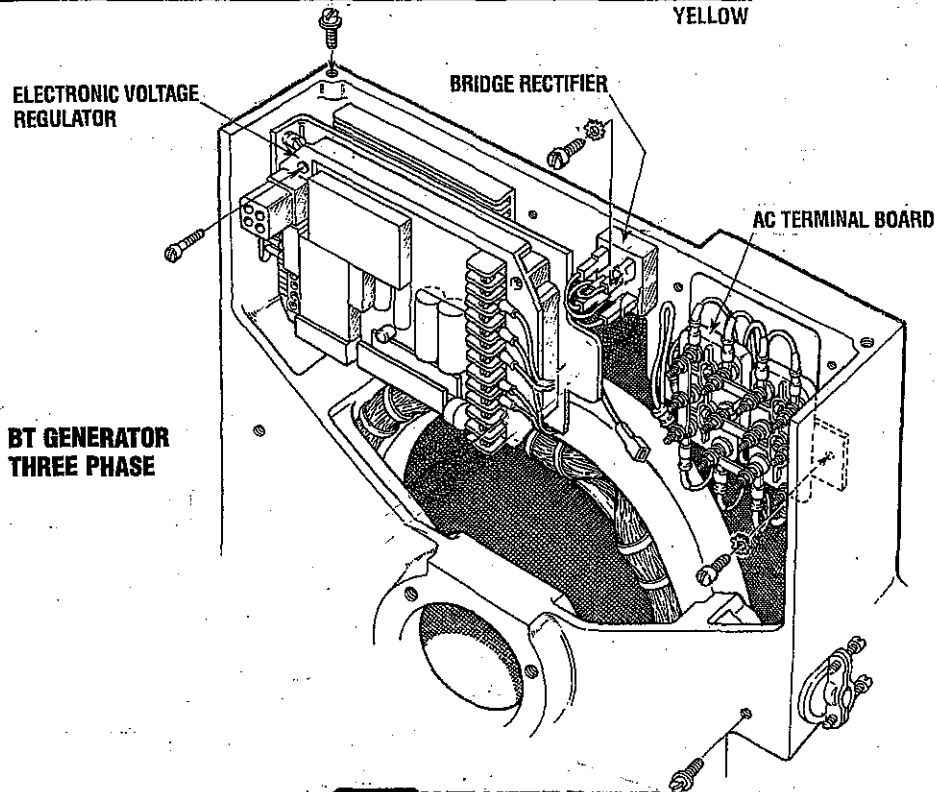
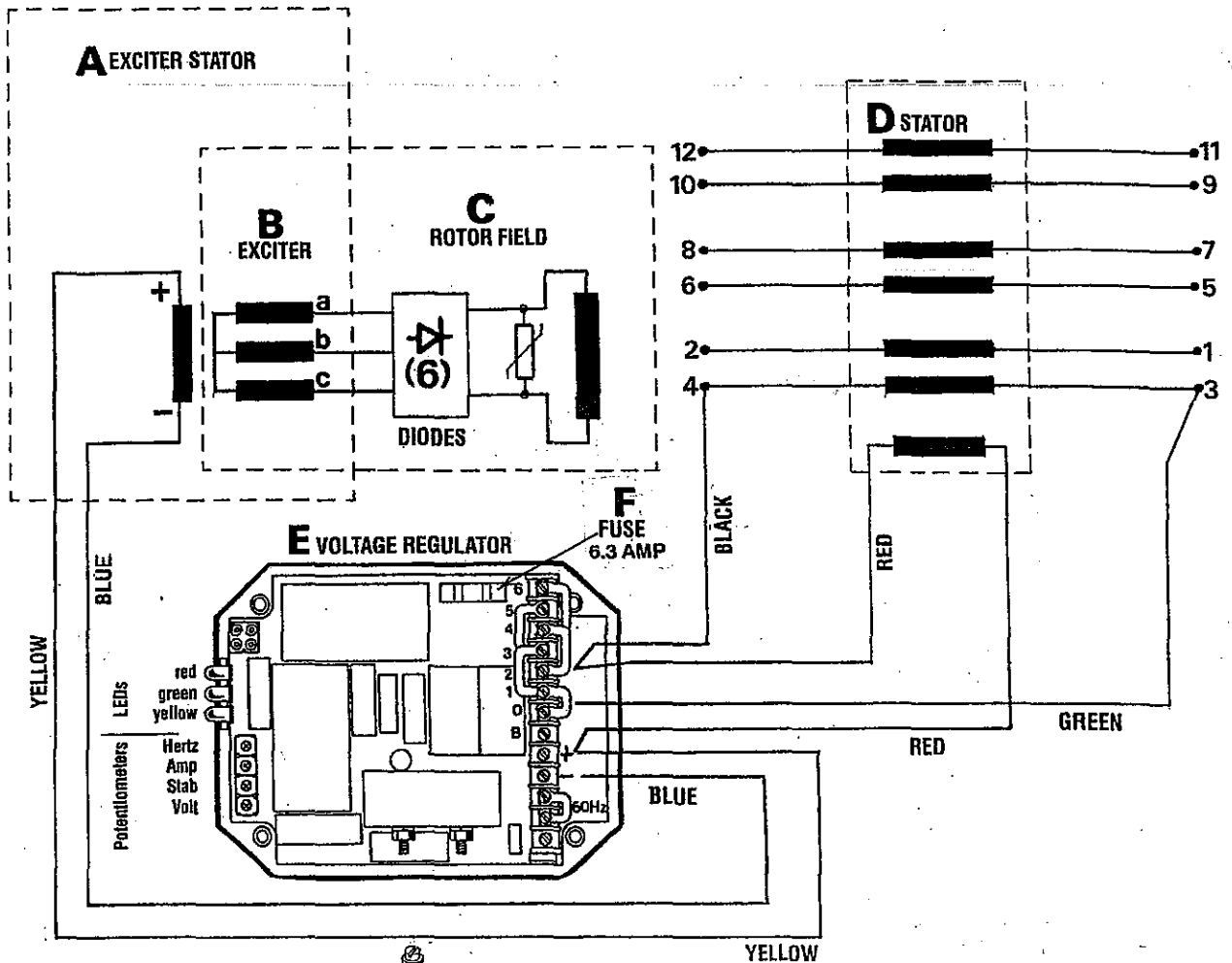
Setting the Underspeed Protection

NOTE: If the unit is operating at 60 Hertz ensure that the jumper strap is in place on the regulator board between the two 60 Hertz terminals. In order to adjust the underspeed setting, the generator should be running at no-load.

1. To adjust the underspeed (low frequency) protection circuit, lower the engine speed at 90% of its normal running speed (54 hertz on 60 hertz units, 45 hertz on 50 hertz units).
2. Rotate the Hertz adjustment counterclockwise slowly until the generator's AC output voltage starts to decrease and at the same time the red "LED" light comes on.
3. Increase the engine speed to its normal speed (frequency). The red "LED" light will go out and the AC voltage output will return to normal.

With the above adjustments made, the regulator should function normally.

BT GENERATOR INTERNAL WIRING 3 PHASE TWELVE WIRE RECONNECTABLE



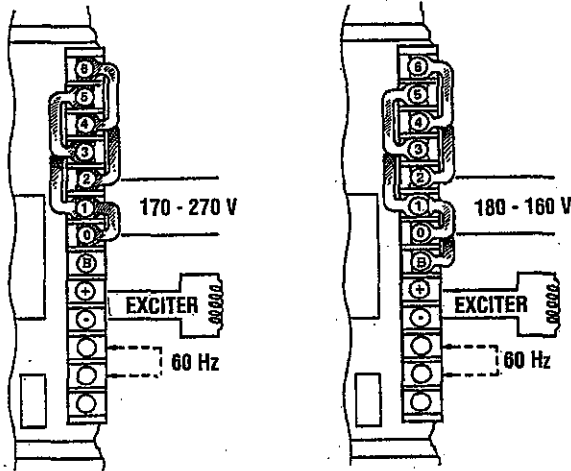
REGULATOR SENSING 3 PHASE WYE-DELTA CONFIGURATIONS

NOTE: WESTERBEKE recommends that the following generator tests and adjustments be performed by a qualified technician.

Description

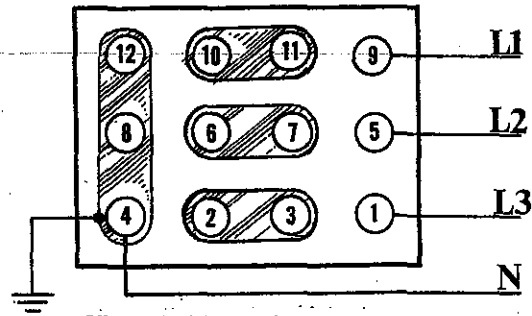
The regulator is equipped with seven numbered terminals (0 to 6) and their related brass jumpers. The illustrations shown connection points and jumpers for the 3 phase configuration of the generator. The sensing leads connect between pin #1 and pin #2 on the AC terminal block and connection #2 and #0 on the voltage regulator board.

NOTE: Series Delta requires the installation of a jumper on the regulator board between terminal B and 1.



3 PHASE VOLTAGE REGULATOR

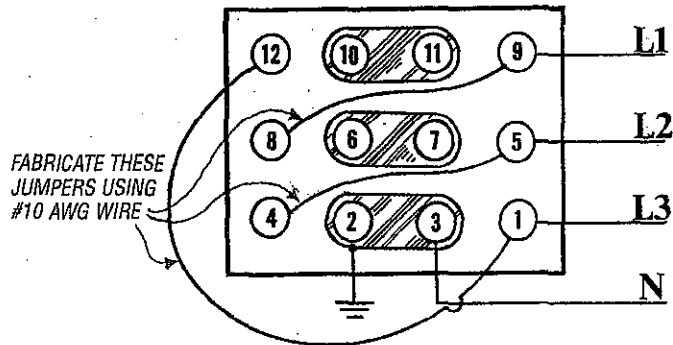
SERIES WYE (STAR)



SERIES WYE (STAR)

L-L	480 VAC	3Ø	60 HZ
L-N	277 VAC	1Ø	60 HZ
L-L	400 VAC	3Ø	50 HZ
L-N	230 VAC	1Ø	50 HZ

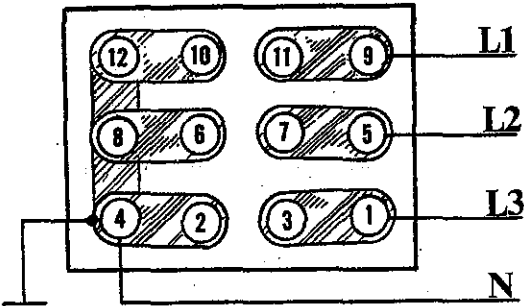
SERIES DELTA



SERIES DELTA

L-L	270 VAC	3Ø	60 HZ
L2, L3-N	138 VAC	1Ø	60 HZ
L-L	230 VAC	3Ø	50 HZ
L2, L3-N	115 VAC	1Ø	50 HZ

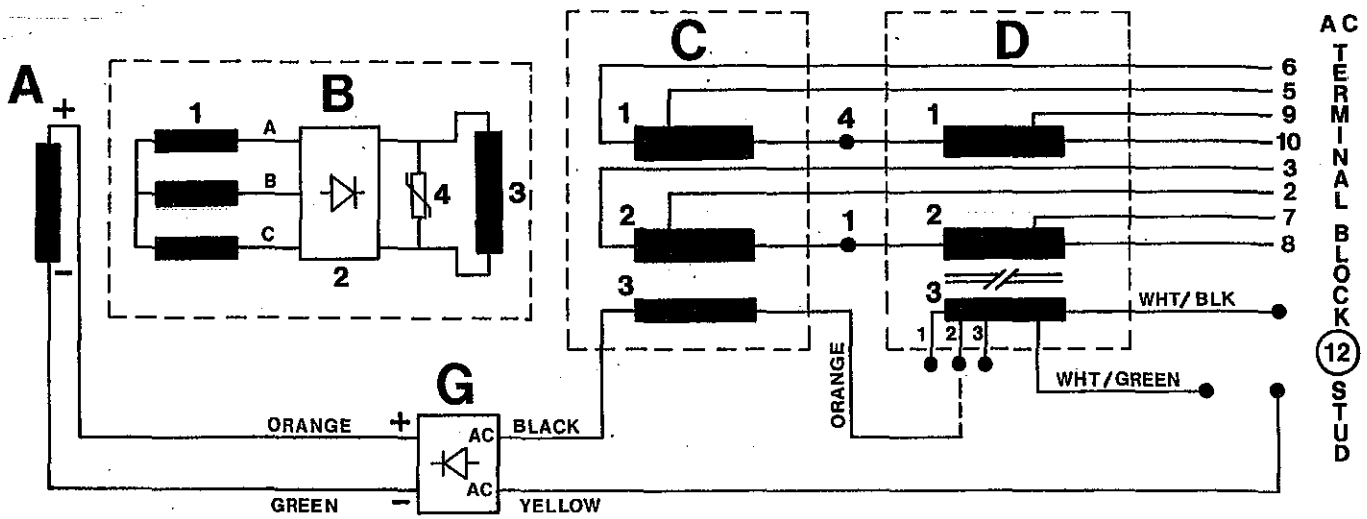
PARALLEL WYE (STAR)



PARALLEL WYE (STAR)

L-L	240 VAC	3Ø	50 HZ
L-N	138 VAC	1Ø	60 HZ
L-L	200 VAC	3Ø	50 HZ
L-N	115 VAC	1Ø	60 HZ

BT GENERATOR - SINGLE PHASE (12 STUD)



INTERNAL WIRING DIAGRAM

A. EXCITER STATOR WINDINGS

Resistance Value 10.0 Ohms

B. EXCITER ROTOR and FIELD

1. Auxiliary Windings (A - B - C)
2. Diodes (6)
3. Rotating Field Windings
4. Suppressor

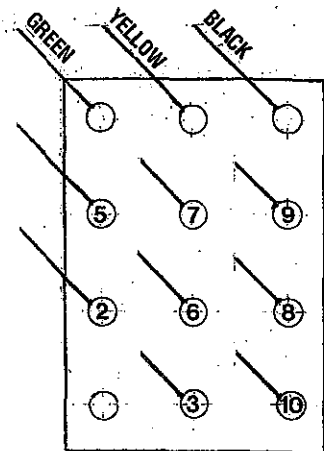
C. MAIN STATOR

1. Main Stator Windings
2. Main Stator Windings
3. Main Stator Auxiliary Windings

D. COMPOUND TRANSFORMER

1. Compound Transformer Windings
2. Compound Transformer Windings
3. Compound Transformer Auxiliary Windings

G. BRIDGE RECTIFIER



TERMINAL BLOCK
ELECTRICAL CONNECTIONS
FROM GENERATOR

BT GENERATOR TROUBLESHOOTING CHART

NOTE: WESTERBEKE recommends that the following generator tests and adjustments be performed by a qualified technician.

The following troubleshooting chart is designed to give insight into problems which may be encountered with the BT brushless generators operating on compound transformer regulation. Owing to the simplicity of the equipment and controls, troubleshooting is relatively easy, once the relationship between cause and effect is understood. Most potential problems are covered in the text of this manual.

Keep in mind that a basic fundamental knowledge of electricity is required for this troubleshooting, and always remember that lethal voltages are present in the circuitry; therefore, extreme caution is essential when troubleshooting a generator.

Only a few basic tools are necessary for diagnosis and repair.

These are hand tools: an amprobe and a quality volt ohm meter capable of reading less than one ohm due to the precision required in reading component winding resistances.

Before attempting any repairs, get a clear explanation of the problem, preferably from an individual witnessing the problem. In some cases, this may bring to light a problem which is related to the method of operation rather than an equipment fault. Bring basic repair tools with you on the initial trip to the problem equipment, such as gages and a bridge rectifier, so that if the problem should be found in one of these easily replaceable parts, the problem can be remedied early and efficiently.

NOTE: Refer to the *INTERNAL WIRING DIAGRAMS* when performing the following tests.

Troubleshoot the components in the following order.

1. LOW VOLTAGE 60-100 VOLTS AC

Component Checks

- F Selector Switch
- B Rotor Components
 - B2 Exciter Rotor Diodes
 - B3 Rotor Field Winding
 - B1 Exciter Rotor Winding(s) a,b,c
- A 1-1+2 Exciter Stator Winding(s)

2. NO AC VOLTAGE OUTPUT

Main Stator, Rotor Components, Transformer

Component Checks

- C 1+2 Main Stator Winding
- B 4 Posi Resistor
- B 2 Diodes (4-6 open/shorted)
- D 1+2 compound Transformer Winding
- B 3 Rotor Field Winding

3. RESIDUAL VOLTAGE

Exciter Circuit Faulty

Component Checks

- A 1-1+2 Exciter Stator Winding(s)
- G Bridge Rectifier
- D 3 Transformer Aux. Winding
- C 3 Main Stator Aux. Winding
- F Selector Switch

Circuit Connections

(from the Transformer Aux. winding to the connections on the Bridge Rectifier)

NOTE: Reference the BT Troubleshooting guides on WESTERBEKE'S website under "TECHANICAL" for additional information. WWW.WESTERBEKE.COM.

SPECIFICATIONS - ENGINE

8.0/6.0 KW EDT, 10.0/7.5 KW EDT, 11.5/9.2 KW EDT, 12.6/10.4KW EDT

GENERAL	
Engine Type	Diesel, four-cycle, three-cylinder, fresh water-cooled, vertical in-line overhead valve mechanism.
Displacement	80.4 cubic inches (1.318 liter)
Aspiration	Naturally aspirated.
Combustion Chamber	Swirl type.
Bore & Stroke	3.07 x 3.62 inches (78 x 92 mm)
Firing Order	1 - 3 - 2
Direction of Rotation	Clockwise, when viewed from the front.
Compression Ratio	22:1
Weight	8.0 EDT 477 lbs (216 kilos) 10.0 EDT 520 lbs (236 kilos) 11.5 EDT 520 lbs (236 kilos) 12.6 EDT 520 lbs (236 kilos)
Inclination	Continuous 15° Temporary 25° (not to exceed 30 min.)

TUNE-UP SPECIFICATIONS	
Compression Pressure Minimum	427 psi (30 kg/cm ²) at 280 rpm 384 psi (27 kg/cm ²)
Spilled Timing (Static)	17° (spill)
Valve Seat Angle	45°
Engine Timing	17° BTDC
Injector Pressure	1991 + 71 - 0 psi (140 + 5 - 0 kgf/cm ²).
Valve Seat Angle	Intake 45° Exhaust 30°
Valve Clearance (engine cold)	0.25mm (0.0098 inches)
Engine Speed	1800 rpm (60 Hz) 1600 rpm (50 Hz)

LUBRICATION SYSTEM	
General	Pressure fed system.
Oil Filter	Full flow, paper element, spin-on type.
Sump Capacity (not including filter)	3.9 U.S. qts (3.7 liters)
Operating Oil Pressure (engine hot)	50 - 60 psi (3.5 - 4.2 kg/cm ²)
Oil Grade	API Specification CF or CG-4, CH-4 OR CI-4 SAE 30, 10W-40, 15W-40

FUEL SYSTEM	
General	Open flow, self bleeding.
Fuel	No. 2 diesel oil (cetane rating of 45 or higher).
Fuel Injection Pump	In-line plunger type (BOSCH).
Nozzle	Throttle type.
Fuel Filter	Cartridge type (PN#030200).
Air Cleaner	Replaceable paper filter cartridge (#039705).
Fuel Lift Pump	12 volt DC lift capacity of 5' (1.5 mm) solid state

ELECTRICAL SYSTEM	
Starting Battery	12 Volt, (-) negative ground
Battery Capacity	800 - 1000 Cold Cranking Amps (CCA)
DC Charging Alternator	50 Amp rated, belt-driven
Starting Aid	Glow plugs, sheathed type
Starter	12 Volt, reduction gear
Cold Cranking Amp Draw	240 - 250 amps (approx.)
Engine Combustion Air Requirements at 60 Hz 1800rpm	41 cfm (1.16 cmm)

COOLING SYSTEM	
General	Fresh water-cooled block, thermostatically-controlled with heat exchanger.
Operating Temperature	170 - 190° F (77 - 88° C)
Fresh Water Pump	Centrifugal type, metal impeller, belt-driven.
Raw Water Pump	Positive displacement, rubber impeller, belt driven
Raw Water Flow at 1800 rpm (Measures before discharging into exhaust elbow)	7-8 gpm (25.9 - 29.6 gpm)
System Capacity (Fresh Water)	5.0 US qts (4.7 liters)

SPECIFICATIONS - GENERATOR 10.7/7.5KW EDT

AC GENERATOR (Single Phase)	
Single Phase	Brushless, four-pole, revolving field. Pre-lubricated, single-bearing design. Reconnectable, single-phase transformer regulation (optional solid-state voltage regulation).
Voltage	120 or 120/240 Volts - 60 Hertz 230 Volts - 50 Hertz.
Voltage regulation:	±5% no load to full load.
Frequency regulation:	.5 Hertz (.60%) no load to full load.
Rating (Volts AC)	
60 Hertz (1800 rpm)	120 Volts 83.3 Amps
10.0 KW	120/240 Volts 83.3/41.6 Amps
50 Hertz (1500 rpm)	230 Volts 22.6 Amps
7.5 KW	
Generator Cooling	225 - 250 cfm (5.66 - 6.37 cmm) Air Requirements(60 Hertz) at 1800 rpm
NOTE:	<i>Increase air supply 15% for 50 Hertz operation (1500 rpm).</i>
Engine Compartment	100 - 200 cfm (2.83 - 5.66 cmm)
Generator Compartment Ambient Temperature Recommendations	122°F (50°C) maximum

AC GENERATOR (3 Phase)		
Three Phase	Brushless, six-pole, revolving field. Sealed lubricated, single-bearing design. 12 Lead reconnectable for low voltage WYE, high voltage Delta. Solid state voltage regulator with protection circuitry	
10.0 KW - 60 Hz		
7.5 KW - 50 Hz		
Voltage - 3 phase (60 Hertz)	Low Voltage WYE	240 Volts
	High Voltage WYE	480 Volts
	DELTA	240 Volts
Voltage - 3 Phase (50 Hertz)	High Voltage WYE	400 Volts
	DELTA	230 Volts
Amperage - 3 phase (60 Hertz)	Low Voltage WYE	35 Amps
	High Voltage WYE	15 Amps
	DELTA	30 Amps
Amperage - 3 phase (50 Hertz)	High Voltage WYE	14 Amps
	DELTA	24 Amps
Engine Compartment	100 - 200 cfm (2.83 - 5.66 cmm)	
Generator Cooling Air Requirements (60 Hertz) at 1800 rpm	225 - 250 cfm (5.66 - 6.37 cmm)	
NOTE:	<i>Increase air supply 15% for 50 Hertz operation (1500 rpm).</i>	
Generator Compartment Ambient Temperature Recommendations	122°F (50°C) maximum	

8.0/6.0KW EDT

AC GENERATOR (Single Phase)	
Single Phase	Brushless, four-pole, revolving field. Pre-lubricated, single-bearing design. Reconnectable, single-phase transformer regulation (optional solid-state voltage regulation).
Voltage	120 or 120/240 Volts - 60 Hertz 230 Volts - 50 Hertz.
Voltage regulation:	±5% no load to full load.
Frequency regulation:	.5 Hertz (.60%) no load to full load.
Rating (Volts AC)	
60 Hertz (1800 rpm)	120 Volts 66 Amps
8.0 KW	120/240 Volts 66/33 Amps
50 Hertz (1500 rpm)	230 Volts 22.6 Amps
6.0 KW	
Generator Cooling Air Requirements (60 Hertz) at 1800 rpm	175 - 200 cfm (4.95 - 5.66 cmm)
NOTE:	<i>Increase air supply 15% for 50 Hertz operation (1500 rpm).</i>
Engine Compartment	100 - 200 cfm (2.83 - 5.66 cmm)
Generator Compartment Ambient Temperature Recommendations	122°F (50°C) maximum

SPECIFICATIONS - GENERATOR 11.5/9.2KW ETD

AC GENERATOR (Single Phase)	
Single Phase	Brushless, four pole, revolving field. Pre-lubricated, single bearing design. Reconnectable, single phase transformer regulation (optional solid state voltage regulator)
Voltage	120 or 120/240 volts - 60 hertz 230 Volts - 50 Hertz
Voltage Regulation	±5% no load to full load.
Frequency Regulation	.3 Hertz (.5%) no load to full load.
Rating (Volts AC)	
60 Hz (1800 rpm)	120 volts 95.8 amps
11.5 KW	120/240 volts 95.8/47.9 amps
50 Hz (1500 rpm)	230 volts 40 amps
9.2 KW	
Generator Cooling Air requirements (60 Hz) at 1800 rpm	225 - 250 cfm (5.66 - 6.37 cmm) NOTE: Increase air supply 15% for 50 Hertz operation (1500 rpm)
Generator Compartment Ambient Temperature Recommendations	122°F (50°C) maximum NOTE: Forced ventilation should be provided to maintain generator compartment temperatures below 122°F (50°C).

AC GENERATOR (3 Phase)		
Three Phase	Brushless, six-pole, revolving field. Sealed lubricated, single-bearing design. 12 Lead reconnectable for low voltage WYE, high voltage Delta. Solid state voltage regulator with protection circuitry	
11.5 KW - 60 Hertz		
9.2 KW - 50 Hertz		
Voltage - 3 phase (60 Hertz)	Low Voltage WYE	240 Volts
	High Voltage WYE	480 Volts
	DELTA	240 Volts
Voltage - 3 Phase (50 Hertz)	High Voltage WYE	400 Volts
	DELTA	230 Volts
Amperage - 3 phase (60 Hertz)	Low Voltage WYE	34 Amps
	High Voltage WYE	17 Amps
	DELTA	34 Amps
Amperage - 3 phase (50 Hertz)	High Voltage WYE	16 Amps
	DELTA	29 Amps
Generator Cooling Air requirements (60 Hz) at 1800 rpm	225 - 250 cfm (5.66 - 6.37 cmm) NOTE: Increase air supply 15% for 50 Hertz operation (1500 rpm)	
Generator Compartment Ambient Temperature Recommendations	122°F (50°C) maximum NOTE: Forced ventilation should be provided to maintain generator compartment temperatures below 122°F (50°C).	

SPECIFICATIONS - GENERATOR 12.6/10.4KW ETD

AC GENERATOR (Single Phase)	
Single Phase	Brushless, four pole, revolving field. Pre-lubricated, single bearing design. Reconnectable, single phase transformer regulation (optional solid state voltage regulator)
Voltage	120 or 120/240 volts - 60 hertz 230 Volts - 50 Hertz
Voltage Regulation	±5% no load to full load.
Frequency Regulation	.3 Hertz (.5%) no load to full load.
Rating (Volts AC)	
60 Hz (1800 rpm)	120 volts 95.8 amps
12.6 KW	120/240 volts 195.8/49.9 amps
50 Hz (1500 rpm)	230 volts 40 amps
10.4 KW	
Generator Cooling Air requirements (60 Hz) at 1800 rpm	225 - 250 cfm (5.66 - 6.37 cmm) NOTE: Increase air supply 15% for 50 Hertz operation (1500 rpm)
Generator Compartment Ambient Temperature Recommendations	122°F (50°C) maximum NOTE: Forced ventilation should be provided to maintain generator compartment temperatures below 122°F (50°C).

AC GENERATOR (3 Phase)		
Three Phase	Brushless, six-pole, revolving field. Sealed lubricated, single-bearing design. 12 Lead reconnectable for low voltage WYE, high voltage Delta. Solid state voltage regulator with protection circuitry	
12.5 KW - 60 Hertz		
10.4 KW - 50 Hertz		
Voltage - 3 phase (60 Hertz)	Low Voltage WYE	240 Volts
	High Voltage WYE	480 Volts
	DELTA	240 Volts
Voltage - 3 Phase (50 Hertz)	High Voltage WYE	400 Volts
	DELTA	230 Volts
Amperage - 3 phase (60 Hertz)	Low Voltage WYE	38 Amps
	High Voltage WYE	19 Amps
	DELTA	38 Amps
Amperage - 3 phase (50 Hertz)	High Voltage WYE	18 Amps
	DELTA	32 Amps
Generator Cooling Air requirements (60 Hz) at 1800 rpm	225 - 250 cfm (5.66 - 6.37 cmm) NOTE: Increase air supply 15% for 50 Hertz operation (1500 rpm)	
Generator Compartment Ambient Temperature Recommendations	122°F (50°C) maximum NOTE: Forced ventilation should be provided to maintain generator compartment temperatures below 122°F (50°C).	

SPECIFICATIONS - ENGINE

12.5/9.4KW EDT & 15.0/12.0KW EDT

GENERAL

Engine Type	Dieset, four-cycle, four-cylinder, fresh water-cooled, vertical in-line overhead valve mechanism.
Displacement	107.3 cubic inches (1.758 liter)
Aspiration	Naturally aspirated.
Combustion Chamber	Swirl type.
Bore & Stroke	3.07 x 3.62 inches (78 x 92 mm)
Firing Order	1 - 3 - 4 - 2
Direction of Rotation	Clockwise, when viewed from the front.
Compression Ratio	22:1
Dimensions - inches (mm)	Height: 24.0 inches (609.6 mm)
Engine Only	Width: 19.0 inches (482.6 mm) Length: 34.6 inches (878.8 mm)
Inclination	Continuous 15° (all directions) Temporary 25° (not to exceed 30 minutes)
Weight (dry)	
12.5/9.4KW	561 lbs (254.5 kgs)
15.0/12.0KW	569 lbs (258.1 kgs)
Fuel Consumption (full amperage load)	
12.5KW	1.19 gph (4.50 lph)
9.4KW	0.19 gph (3.44 lph)
15.0KW	1.42 gph (5.38 lph)
12.0KW	1.12 gph (4.24 lph)
HP @ 1800 RPM	25 HP
HP @ 1600 RPM	22 HP

TUNE-UP SPECIFICATIONS

Compression Pressure	427 psi (30 kg/cm ²) at 280 rpm
Minimum	384 psi (27 kg/cm ²)
Spilled Timing (Static)	17° (spill) BTDC
Valve Seat Angle	Intake 45° Exhaust 30°
Engine Speed	1800 rpm (60Hz) 1500 rpm (50Hz)
Valve Seat Angle	Intake 45° Exhaust 30°
Valve Clearance	0.25 inches (0.0098 mm)
Injector Pressure	1991 + 71 - 0 psi (140 + 5 - 0 kgf/cm ²).
Engine Timing	17° BTDC

ELECTRICAL SYSTEM

Starting Battery	12 Volt, (-) negative ground
Battery Capacity	800 - 1000 Cold Cranking Amps (CCA)
DC Charging Alternator	50 Amp rated, belt-driven
Starting Aid	Glow plugs, sheathed type
Starter	12 Volt, reduction gear

COOLING SYSTEM

General	Fresh water-cooled block, thermostatically-controlled with heat exchanger.
Operating Temperature	170 - 190° F (77 - 88° C)
Fresh Water Pump	Centrifugal type, metal impeller, belt-driven.
Raw Water Pump	Positive displacement, rubber impeller, belt driven
System Capacity (Fresh Water)	8.0 US qts (7.6 liters)
Raw Water Flow at 1800 rpm (Measures before discharging into exhaust elbow)	7-8 gpm (25.9 - 29.6 gpm)
Engine Combustion Air Requirements at 1800 rpm	56 cfm (1.60 cmm)
Engine Combustion Air Requirements at 1500 rpm	46 cfm (1.31 cmm)

LUBRICATION SYSTEM

General	Pressure fed system.
Oil Filter	Full flow, paper element, spin-on type.
Sump Capacity (not including filter)	4.5 U.S. qts (4.3 liters)
Operating Oil Pressure (engine hot)	40 - 60 psi (3.5 - 4.2 kg/cm ²)
Oil Grade	API Specification CF or CG-4, CH-4 OR CI-4 SAE 30, 10W-40, 15W-40

SPECIFICATIONS - GENERATOR 12.5/9.4KW EDT

AC GENERATOR (Single Phase)	
Single Phase	Brushless, four-pole, revolving field. Pre-lubricated, single-bearing design. Reconnectable, single-phase transformer regulation (optional solid-state voltage regulation).
Voltage	120 or 120/240 Volts - 60 Hertz 230 Volts - 50 Hertz.
Voltage regulation:	±5% no load to full load.
Frequency Regulation	.3 Hertz (.5%) no load to full load.
Rating (Volts AC)	
60 Hertz (1800 rpm) 12.5 KW	120 Volts 104 Amps 120/240 Volts 104/52 Amps
50 Hertz (1500 rpm) 9.4 KW	230 Volts 60 Amps
Generator Cooling Air Requirements (60 Hertz) at 1800 rpm	225 - 250 cfm (6.37 - 7.08 cmm) NOTE: Increase air supply 15% for 50 Hertz operation (1500 rpm).
Generator Compartment Ambient Temperature Recommendations	122°F (50°C) maximum

AC GENERATOR (3 Phase)		
Three Phase	Brushless, six-pole, revolving field. Sealed lubricated, single-bearing design. 12 Lead reconnectable for low voltage WYE, high voltage Delta. Solid state voltage regulator with protection circuitry	
12.5 KW - 60 HERTZ 9.4 KW - 50 HERTZ		
Voltage - 3 phase (60 Hertz)	Low Voltage WYE	240 Volts
	High Voltage WYE	480 Volts
	DELTA	240 Volts
Voltage - 3 Phase (50 Hertz)	High Voltage WYE	400 Volts
	DELTA	230 Volts
Amperage - 3 phase (60 Hertz)	Low Voltage WYE	38 Amps
	High Voltage WYE	18 Amps
	DELTA	37 Amps
Amperage - 3 phase (50 Hertz)	High Voltage WYE	17 Amps
	DELTA	30 Amps
Generator Compartment Ambient Temperature Recommendations	122°F (50°C) maximum	
Generator Cooling Air Requirements (60 Hertz) at 1800 rpm	225 - 250 cfm (6.37 - 7.08 cmm) NOTE: Increase air supply 15% for 50 Hertz operation (1500 rpm).	

15.0/12.0KW EDT

AC GENERATOR (Single Phase)	
Single Phase	Brushless, four-pole, revolving field. Pre-lubricated, single-bearing design. Reconnectable, single-phase transformer regulation (optional solid-state voltage regulation).
Voltage	120 or 120/240 Volts - 60 Hertz 220 Volts - 50 Hertz.
Voltage regulation:	±5% no load to full load.
Frequency Regulation	.3 Hertz (.5%) no load to full load.
Rating (Volts AC)	
60 Hertz (1800 rpm) 15.0 KW	120 Volts 105 Amps 120/240 Volts 105/52.5 Amps
50 Hertz (1500 rpm) 12.0 KW	220 Volts 45.2 Amps
Generator Cooling Air Requirements (60 Hertz) at 1800 rpm	225 - 250 cfm (5.66 - 6.37 cmm) NOTE: Increase air supply 15% for 50 Hertz operation (1500 rpm).
Generator Compartment Ambient Temperature Recommendations	122°F (50°C) maximum

AC GENERATOR (3 Phase)		
Three Phase	Brushless, six-pole, revolving field. Sealed lubricated, single-bearing design. 12 Lead reconnectable for low voltage WYE, high voltage Delta. Solid state voltage regulator with protection circuitry	
15.0 KW - 60 HERTZ 12.0 KW - 50 HERTZ		
Voltage - 3 phase (60 Hertz)	Low Voltage WYE	240 Volts
	High Voltage WYE	480 Volts
	DELTA	240 Volts
Voltage - 3 Phase (50 Hertz)	High Voltage WYE	400 Volts
	DELTA	230 Volts
Amperage - 3 phase (60 Hertz)	Low Voltage WYE	38 Amps
	High Voltage WYE	18 Amps
	DELTA	37 Amps
Amperage - 3 phase (50 Hertz)	High Voltage WYE	17 Amps
	DELTA	30 Amps
Generator Cooling Air Requirements (60 Hertz) at 1800 rpm	225 - 250 cfm (6.37 - 7.08 cmm) NOTE: Increase air supply 15% for 50 Hertz operation (1500 rpm).	
Generator Compartment Ambient Temperature Recommendations	122°F (50°C) maximum	

LAY-UP & RECOMMISSIONING

GENERAL

Many owners rely on their boatyards to prepare their craft, including engines and generators, for lay-up during the off-season or for long periods of inactivity. Others prefer to accomplish lay-up preparation themselves.

The procedures which follow will allow you to perform your own lay-up and recommissioning, or you may use them as a check list if others do the procedures.

These procedures should afford your engine protection during a lay-up and also help familiarize you with the maintenance needs of your engine.

If you have any questions regarding lay-up procedures, call your local servicing dealer; he will be more than willing to provide assistance.

Propeller Shaft Coupling [Propulsion Engine]

The transmission and propeller half couplings should always be opened up and the bolts removed when the boat is hauled out of the water or moved from land to water, and during storage in the cradle. The flexibility of the boat often puts a severe strain on the propeller shaft or coupling or both, while the boat is taken out or put in the water. In some cases, the shaft has actually been bent by these strains. This does not apply to small boats that are hauled out of the water when not in use, unless they have been dry for a considerable period of time.

Fresh Water Cooling Circuit

A 50-50 solution of antifreeze and distilled water is recommended for use in the coolant system at all times.

This solution may require a higher concentration of antifreeze, depending on the area's winter climate. Check the solution to make sure the antifreeze protection is adequate.

Should more antifreeze be needed, drain an appropriate amount from the engine block and add a more concentrated mixture. Operate the engine to ensure a complete circulation and mixture of the antifreeze concentration throughout the cooling system. Now recheck the antifreeze solution's strength.

Lubrication System

With the engine warm, drain all the engine oil from the oil sump. Remove and replace the oil filter and fill the sump with new oil. Use the correct grade of oil. Refer to the *ENGINE LUBRICATING OIL* pages in this manual for the oil changing procedure. Run the engine and check for proper oil pressure and make sure there are no leaks.

CAUTION: Do not leave the engine's old engine oil in the sump over the lay-up period. Lubricating oil and combustion deposits combine to produce harmful chemicals which can reduce the life of your engine's internal parts.

Fuel System [Gasoline]

Top off your fuel tanks with *unleaded* gasoline of 89 octane or higher. A fuel conditioner such as *Sta-Bil* gasoline stabilizer should be added. Change the element in your gasoline/water separator and clean the metal bowl. Re-install and make certain there are no leaks. Clean up any spilled fuel.

Fuel System [Diesel]

Top off your fuel tanks with No. 2D diesel fuel. Fuel additives should be added prior to topping off to ensure they mix with the fuel being added and fuel still in the tank. Additives such as Bio-bor and Diesel Kleen + Cetane Boost should be added at this time to control bacteria growth and condition the fuel. Care should be taken that the additives used are compatible with the primary fuel filter/water separator used in the system. Change the element in your primary fuel filter/water separator and clean the separator sediment bowl.

Change the fuel filter elements on the engine and bleed the fuel system, as needed. Start the engine and allow it to run for 5 – 10 minutes to make sure no air is left in the fuel system. Check for any leaks that may have been created in the fuel system during this servicing, correcting them as needed. Operating the engine for 5 – 10 minutes will help allow movement of the treated fuel through the injection equipment on the engine.

Raw Water Cooling Circuit

Close the through-hull seacock. Remove the raw water intake hose from the seacock. Place the end of this hose into a five gallon bucket of clean fresh water. Before starting the engine, check the zinc anode found in the primary heat exchanger on the engine and clean or replace it as required, and also clean any zinc debris from inside the heat exchanger where the zinc anode is located. Clean the raw water strainer.

Start the engine and allow the raw water pump to draw the fresh water through the system. When the bucket is empty, stop the engine and refill the bucket with an antifreeze solution slightly stronger than needed for winter freeze protection in your area.

Start the engine and allow all of this mixture to be drawn through the raw water system. Once the bucket is empty, stop the engine. This antifreeze mixture should protect the raw water circuit from freezing during the winter lay-up, as well as providing corrosion protection.

Remove the impeller from your raw water pump (some antifreeze mixture will accompany it, so catch it in a bucket). Examine the impeller. Acquire a replacement, if needed, and a cover gasket. Do not replace the impeller (into the pump) until recommissioning, but replace the cover and gasket.

Cylinder Lubrication [Gasoline]

Spray fogging oil into the open air intake, with the flame arrester removed, while the engine is running. The fogging oil will stall out the engine and coat the valves, cylinders and spark plugs for winter protection.

LAY-UP & RECOMMISSIONING

Starter Motor

Lubrication and cleaning of the starter drive pinion is advisable, if access to the starter permits its easy removal. Make sure the battery connections are shut off before attempting to remove the starter. Take care in properly replacing any electrical connections removed from the starter.

Cylinder Lubrication [Diesel]

If you anticipate a long lay-up period (12 months or more) WESTERBEKE recommends removal of the glow plugs for access to the cylinders. Squirt some Marvel Mystery Oil into each cylinder to help prevent the piston rings from adhering to the cylinder walls. Rotate the engine crankshaft by hand two revolutions and re-install the glow plugs.

If your engine does not have glow plugs, the injectors will have to be removed. Be sure to have replacement sealing washers for the injectors and return fuel line as needed.

Intake Manifold [Gasoline]

Clean the filter screen in the flame arrester, and place a clean cloth lightly soaked in lube oil around the flame arrester to block any opening. Also place an oil-soaked cloth in the through-hull exhaust port. Make a note to remove cloths prior to start-up!

Cylinder Lubrication [Gasoline]

Spray fogging oil into the open air intake, with the flame arrester removed, while the engine is running. The fogging oil will stall out the engine and coat the valves, cylinders and spark plugs for winter protection.

NOTE: At spring commissioning, remove the plugs and rotate the crankshaft two full revolutions. Re-install the spark plugs, tightening properly and connecting the high tension leads fully onto each spark plug.

Batteries

If batteries are to be left on board during the lay-up period, make sure that they are fully charged, and will remain that way, to prevent them from freezing. If there is any doubt that the batteries will not remain fully charged, or that they will be subjected to severe environmental conditions, remove the batteries and store them in a warmer, more compatible environment.

WARNING: Lead acid batteries emit hydrogen, a highly-explosive gas, which can be ignited by electrical arcing or a lighted cigarette, cigar, or pipe. Do not smoke or allow an open flame near the battery being serviced. Shut off all electrical equipment in the vicinity to prevent electrical arcing during servicing.

Transmission [Propulsion Engine]

Check or change the fluid in the transmission as required. Wipe off grime and grease and touch up any unpainted areas. Protect the coupling and the output flange with an anti-corrosion coating. Check that the transmission vent is open. For additional information, refer to the TRANSMISSION SECTION.

Spare Parts

Lay-up time provides a good opportunity to inspect your Westerbeke engine to see if external items such as drive belts or coolant hoses need replacement. Check your basic spares kit and order items not on hand, or replace those items used during the lay-up, such as filters and zinc anodes. Refer to the SPARE PARTS section of this manual.

Recommissioning

The recommissioning of your Westerbeke engine after a seasonal lay-up generally follows the same procedures as those described in the PREPARATIONS FOR STARTING section regarding preparation for starting and normal starts. However, some of the lay-up procedures will need to be counteracted before starting the engine.

1. Remove the oil-soaked cloths from the intake manifold.
2. Remove the raw water pump cover and gasket and discard the old gasket. Install the raw water pump impeller removed during lay-up (or a replacement, if required). Install the raw water pump cover with a new cover gasket.
3. Reinstall the batteries that were removed during the lay-up, and reconnect the battery cables, making sure the terminals are clean and that the connections are tight. Check to make sure that the batteries are fully charged.

CAUTION: Wear rubber gloves, a rubber apron, and eye protection when servicing batteries. Lead acid batteries emit hydrogen, a highly explosive gas, which can be ignited by electrical arcing or a lighted cigarette, cigar, or pipe. Do not smoke or allow an open flame near the battery being serviced. Shut off all electrical equipment in the vicinity to prevent electrical arcing during servicing.

4. Remove the spark plugs, wipe clean, re-gap, and install to proper tightness [gasoline].
5. Check the condition of the zinc anode in the raw water circuit and clean or replace the anode as needed. Note that it is not necessary to flush the antifreeze/fresh water solution from the raw water coolant system. When the engine is put into operation, the system will self-flush in a short period of time with no adverse affects. It is advisable, as either an end of season or recommissioning service, to inspect the area where the zinc is located in the heat exchanger and clear any and all zinc debris from that area.
6. Start the engine in accordance with procedures described in the PREPARATIONS FOR STARTING section of this manual.

POWER TAKE OFF SYSTEMS

POWER TAKE OFF ADAPTER

A power take off adapter can be attached to the generator backend. This adapter allows access to the full power of the engine for a variety of hydraulic and electrical accessories.

The 8.0, 10.0, and 12.6 Kw generators produce 18hp at 1800 rpm (16hp at 1500 rpm).

The 11.5Kw produces 15hp at 1800 rpm (12hp at 1500 rpm)

The 15.0Kw generator produces 25hp at 1800 rpm (22hp at 1500 rpm).

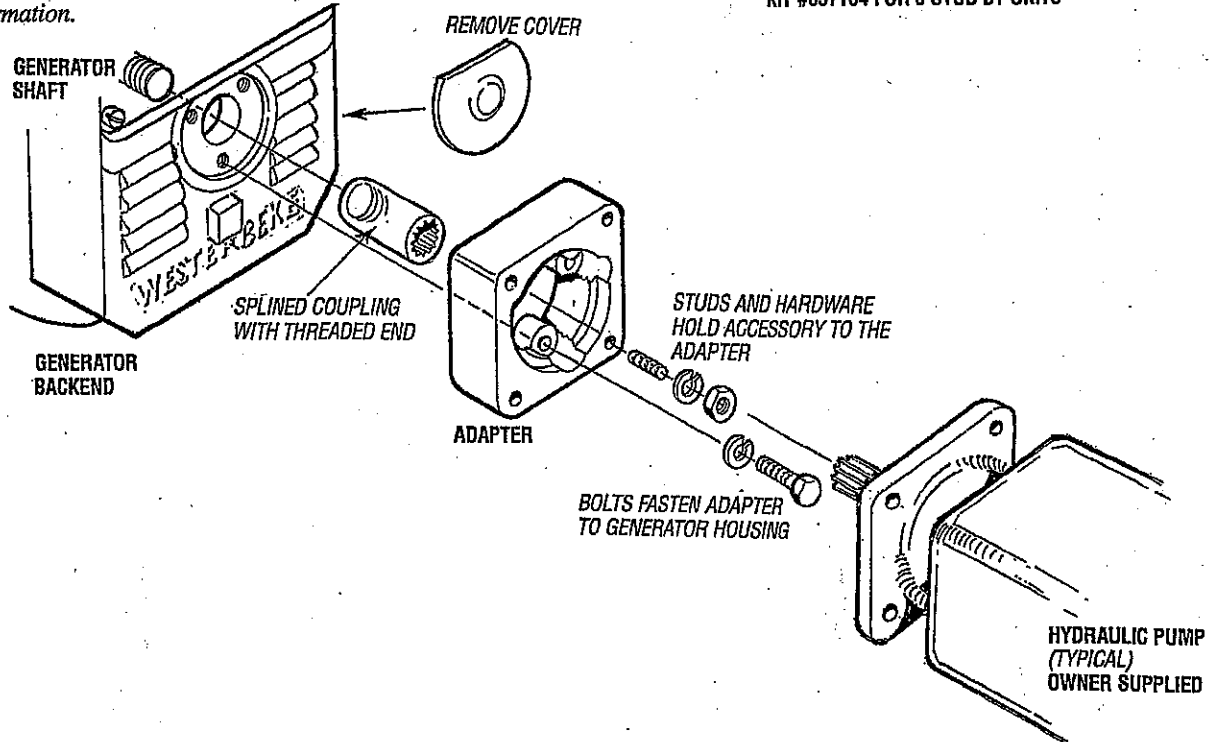
This horsepower can be utilized either for generator AC output or to operate the power takeoff.

Contact your **WESTERBEKE DEALER** for additional information.

POWER TAKE OFF KITS

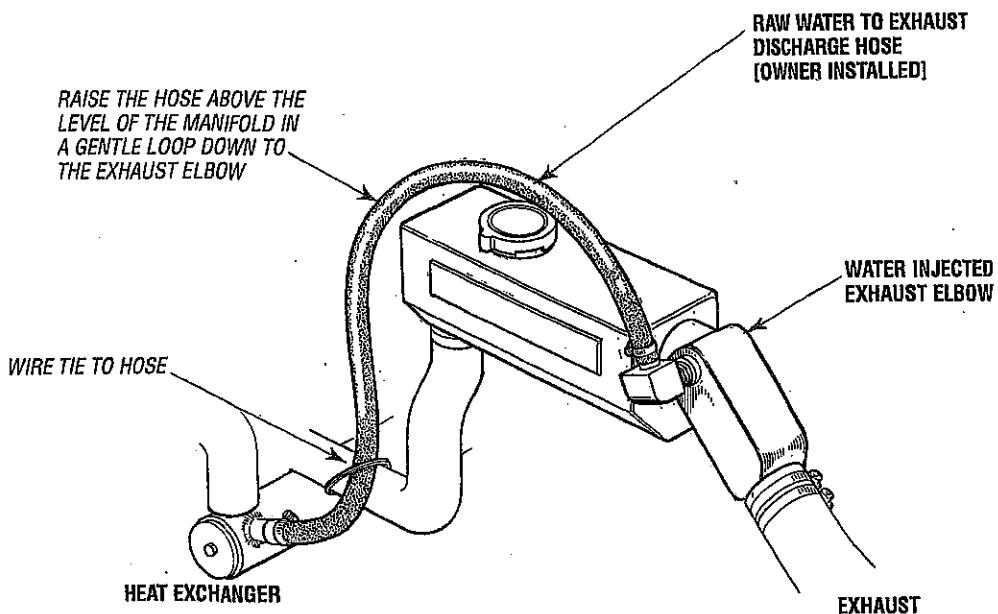
KIT #034786 FOR 12 STUD BT UNITS

KIT #037134 FOR 6 STUD BT UNITS



RAW WATER DISCHARGE HOSE

[When a siphon break is not required]



WHEN A SYPHON BREAK IS NOT REQUIRED

WESTERBEKE recommends that the hose (installer supplied) discharging raw water from the heat exchanger to the water injected exhaust elbow be looped above and down to the inlet fitting on the elbow. The hose can be secured by a plastic wire tie as illustrated.

HOT WATER TANK CONNECTIONS

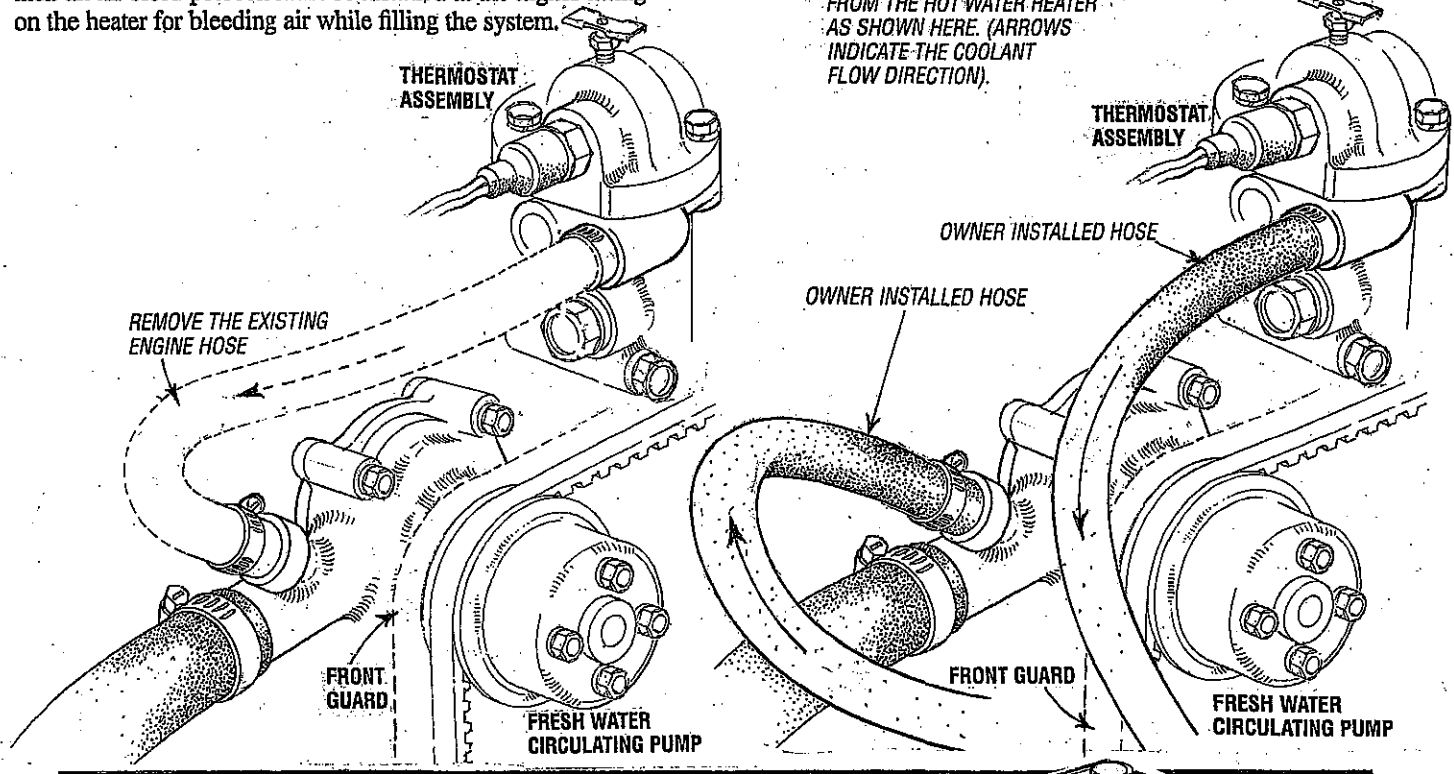
WATER HEATER INSTALLATIONS

These engines are equipped with connections for the plumbing of engine coolant to transfer heat to an on-board water heater. The water heater should be mounted in a convenient location either in a high or low position in relation to the engine, so that the connecting hoses from the heater to the engine can run in a reasonably direct line without any loops which might trap air.

Hoses should rise continuously from their low point at the heater to the engine so that air will rise naturally from the heater to the engine. If trapped air is able to rise to the heater, then an air bleed petcock must be installed at the higher fitting on the heater for bleeding air while filling the system.

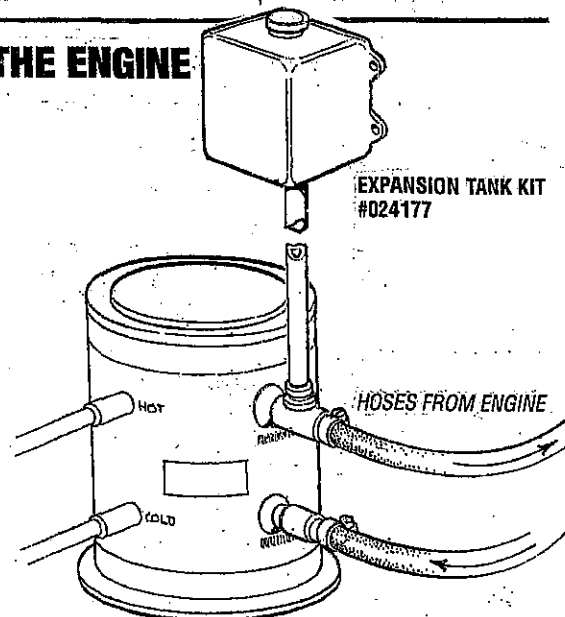
WATER HEATER CONNECTIONS

CONNECT TWO HOSES TO AND FROM THE HOT WATER HEATER AS SHOWN HERE. (ARROWS INDICATE THE COOLANT FLOW DIRECTION).



HEATING CIRCUIT ABOVE THE ENGINE

NOTE: If any portion of the heating circuit rises above the engine's own pressure cap, then a pressurized (aluminum) remote expansion tank (Kit #024177) must be installed in the circuit to become the highest point. Tee the remote expansion tank into the heater circuit, choosing the higher of the two connections for the return. Tee at the heater, and plumb a single line up to the tanks location and the other back to the engine's return. Install the remote expansion tank in a convenient location so the coolant level can easily be checked. The remote expansion tank will now serve as a check and system fill point. The plastic coolant recovery tank is not used when the remote expansion tank kit is installed, since this tank serves the same function. Remove and store the plastic recovery tank if it has been already installed.



STANDARD AND METRIC CONVERSION DATA

LENGTH-DISTANCE

Inches (in) x 25.4 = Millimeters (mm) x .0394 = Inches

Feet (ft) x .305 = Meters (m) x 3.281 = Feet

Miles x 1.609 = Kilometers (km) x .0621 = Miles

VOLUME

Cubic Inches (in³) x 16.387 = Cubic Centimeters x .061 = in³

Imperial Pints (IMP pt) x .568 = Liters (L) x 1.76 = IMP pt

Imperial Quarts (IMP qt) x 1.137 = Liters (L) x .88 = IMP qt

Imperial Gallons (IMP gal) x 4.546 = Liters (L) x .22 = IMP gal

Imperial Quarts (IMP qt) x 1.201 = US Quarts (US qt) x .833 = IMP qt

Imperial Gallons (IMP gal) x 1.201 = US Gallons (US gal) x .833 = IMP gal

Fluid Ounces x 29.573 = Milliliters x .034 = Ounces

US Pints (US pt) x .473 = Liters (L) x 2.113 = Pints

US Quarts (US qt) x .946 = Liters (L) x 1.057 = Quarts

US Gallons (US gal) x 3.785 = Liters (L) x .264 = Gallons

MASS-WEIGHT

Ounces (oz) x 28.35 = Grams (g) x .035 = Ounces

Pounds (lb) x .454 = Kilograms (kg) x 2.205 = Pounds

PRESSURE

Pounds Per Sq In (psi) x 6.895 = Kilopascals (kPa) x .145 = psi

Inches of Mercury (Hg) x .4912 = psi x 2.036 = Hg

Inches of Mercury (Hg) x 3.377 = Kilopascals (kPa) x .2961 = Hg

Inches of Water (H₂O) x .07355 = Inches of Mercury x 13.783 = H₂O

Inches of Water (H₂O) x .03613 = psi x 27.684 = H₂O

Inches of Water (H₂O) x .248 = Kilopascals (kPa) x 4.026 = H₂O

TORQUE

Pounds-Force Inches (in-lb) x .113 = Newton Meters (Nm) x 8.85 = in-lb

Pounds-Force Feet (ft-lb) x 1.356 = Newton Meters (Nm) x .738 = ft-lb

VELOCITY

Miles Per Hour (MPH) x 1.609 = Kilometers Per Hour (KPH) x .621 = MPH

POWER

Horsepower (Hp) x .745 = Kilowatts (Kw) x 1.34 = MPH

FUEL CONSUMPTION

Miles Per Hour IMP (MPG) x .354 = Kilometers Per Liter (Km/L)

Kilometers Per Liter (Km/L) x 2.352 = IMP MPG

Miles Per Gallons US (MPG) x .425 = Kilometers Per Liter (Km/L)

Kilometers Per Liter (Km/L) x 2.352 = US MPG

TEMPERATURE

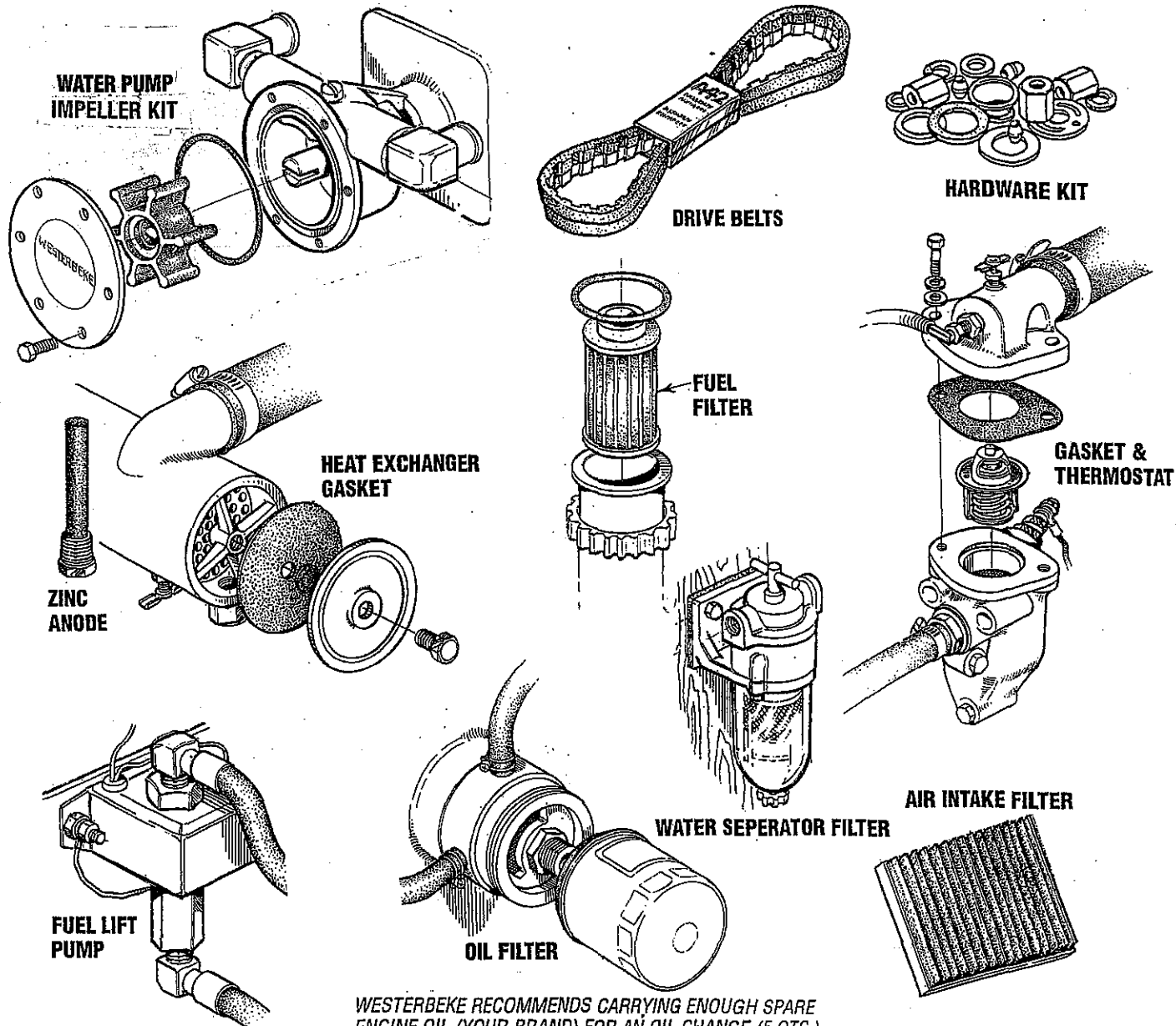
Degree Fahrenheit (°F) = (°C X 1.8) + 32

Degree Celsius (°C) = (°F - 32) x .56

SUGGESTED SPARE PARTS

WESTERBEKE MARINE DIESEL GENERATORS

CONTACT YOUR WESTERBEKE DEALER FOR SUGGESTIONS AND ADDITIONAL INFORMATION



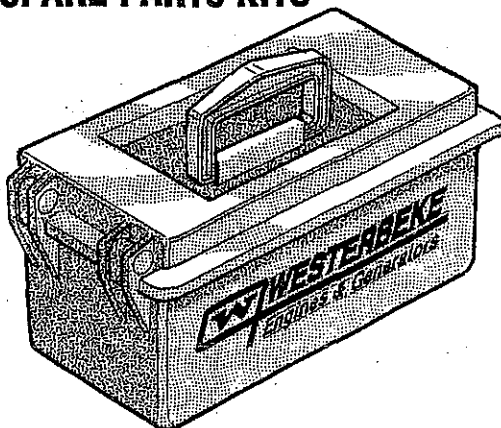
WESTERBEKE RECOMMENDS CARRYING ENOUGH SPARE ENGINE OIL (YOUR BRAND) FOR AN OIL CHANGE (5 QTS.) AND A GALLON OF PREMIXED COOLANT.

SPARE PARTS KITS

WESTERBEKE also offers two Spare Parts Kits, each packaged in a rugged hinged toolbox. Kit "A" includes the basic spares. Kit "B" is for more extensive off-shore cruising.

A Kit

- Impeller Kit
- Heat Exchanger Gasket
- Fuel Filter with Gasket
- Oil Filter
- Drive Belt
- Zinc Anodes



B Kit

- Impeller Kit
- Water Pump Repair Kit
- Thermostat Kit
- Zinc Anodes
- Complete Gasket Kit
- Heat Exchanger Gasket
- Injector
- Fuel Filter with Gasket
- Oil Filter
- Drive Belt

WESTERBEKE
Engines & Generators

