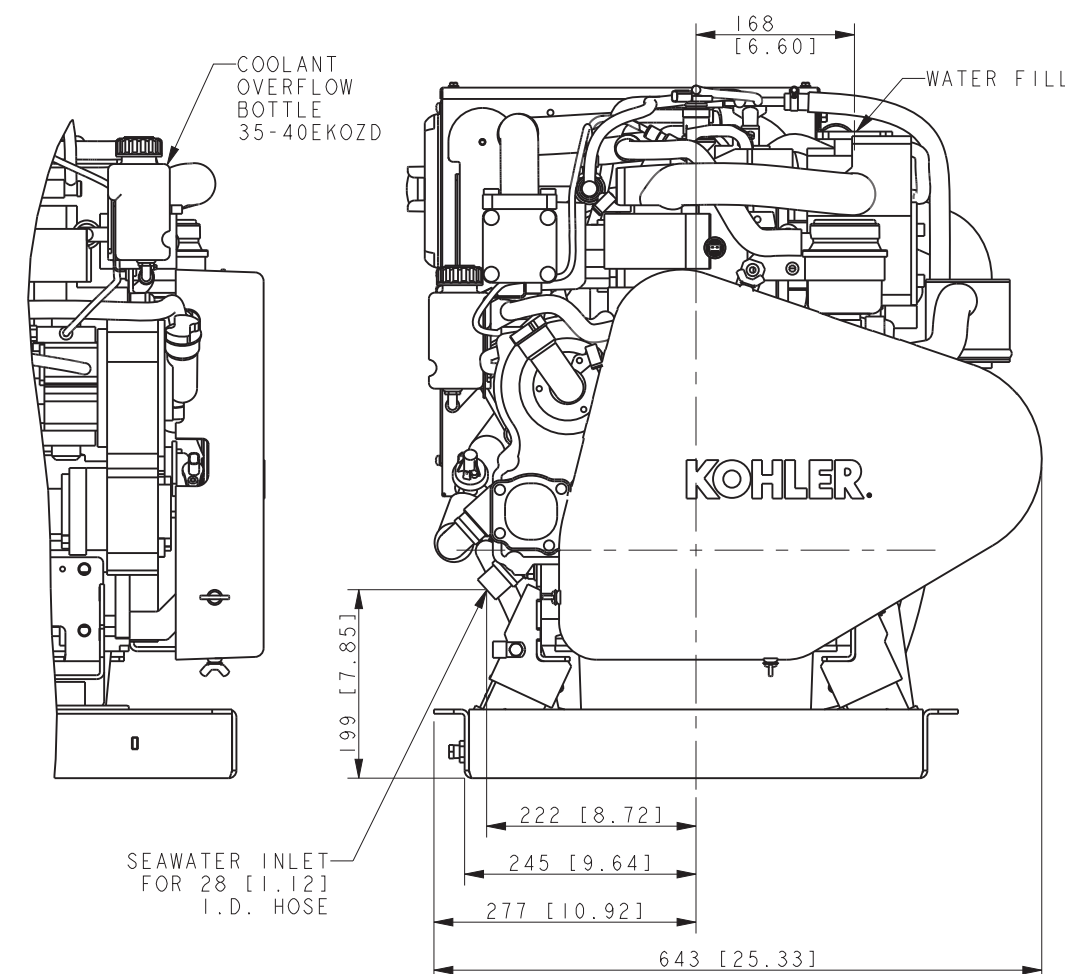
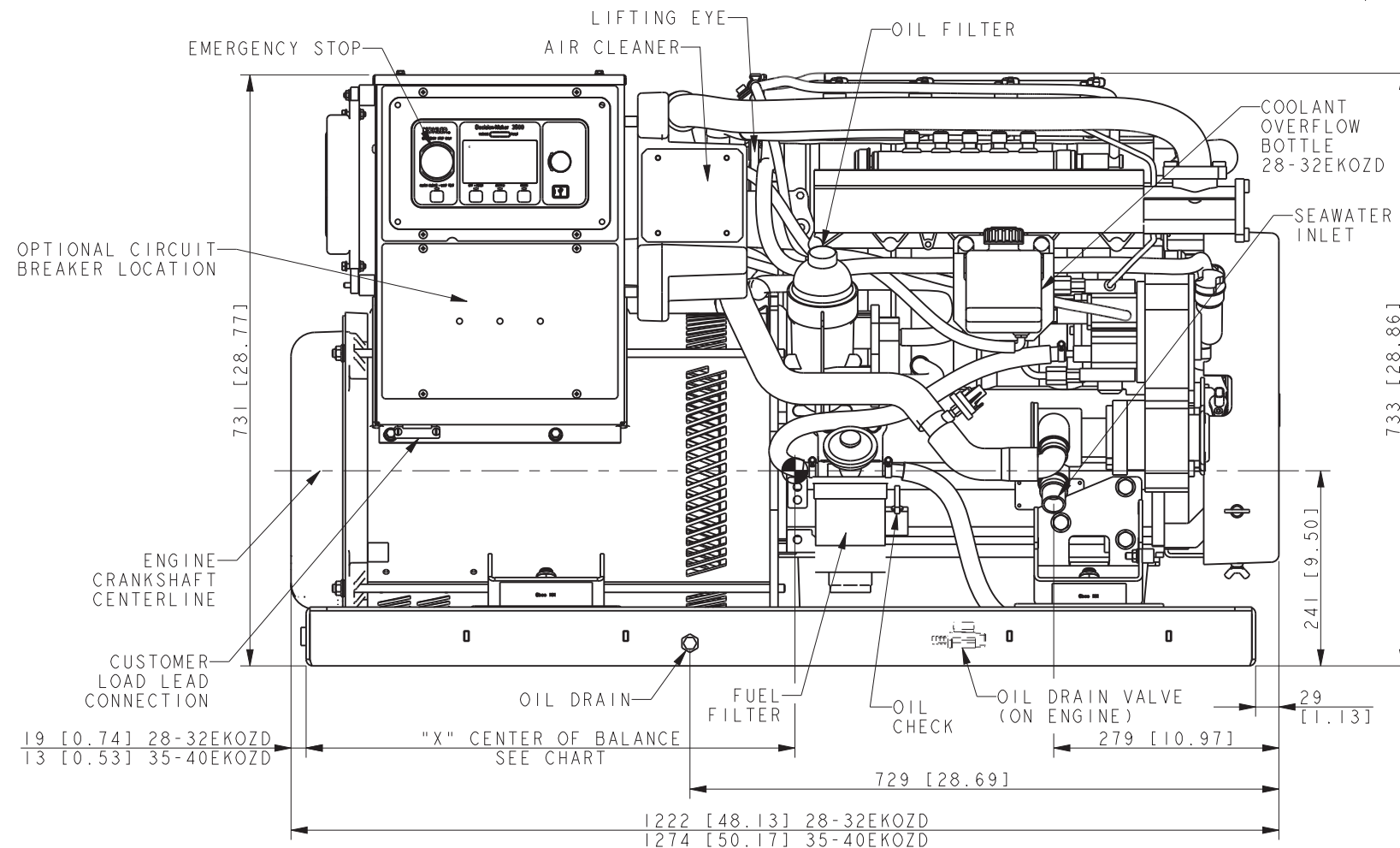


MODEL	WEIGHT		C.O.B. (DIM "X")
	WET -KG [LBS]	DRY - KG [LBS]	MM [IN.]
28EFKOZD/32EKOZD	531 [1170]	514 [1134]	591 [23.25]
35EFKOZD/40EKOZD	567 [1250]	551 [1214]	629 [24.75]

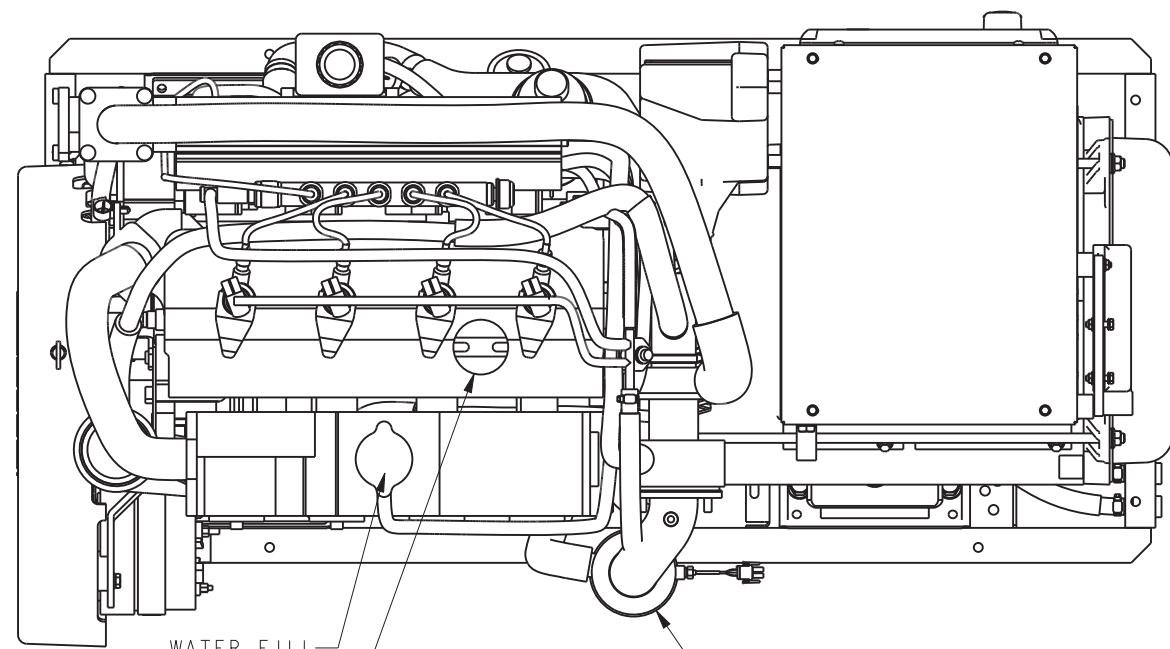
NOTE
C.O.B. DIMENSION IS TAKEN FROM REAR OF DRIP TRAY.



NOTE:
DIMENSIONS IN [] ARE INCH EQUIVALENTS.

REV	DATE	ON COMPOSITE DWGS. SEE PART NO. FOR REVISION LEVEL	BY	DO NOT SCALE. REFERENCE THE MODEL FOR ALL UNSPECIFIED DIMENSIONS								
-	2-24-17	NEW DRAWING [CT172951]	DDH	UNLESS OTHERWISE SPECIFIED: ALL DIMENSIONS IN MILLIMETERS GENERAL TOLERANCES: N/A								
A	11-8-17	(C-3) WEIGHTS & CENTER OF BALANCE UPDATED; (A-7) CENTER OF BALANCE RELOCATED TO REAR OF DRIP TRAY; (A-8) 19 [0.74] & 13 [0.53] DIMENSIONS ADDED [CT179505]	DDH									
B	1-9-18	(A-4) 28 [1.12] SEAWATER INLET WAS 25 [1.00] [CT183071]	DDH									
<table border="1"> <thead> <tr> <th>APPROVALS</th> <th>DATE</th> </tr> </thead> <tbody> <tr> <td>DDH</td> <td>2-24-17</td> </tr> <tr> <td>DDH</td> <td>2-24-17</td> </tr> <tr> <td>MBA</td> <td>2-24-17</td> </tr> </tbody> </table>				APPROVALS	DATE	DDH	2-24-17	DDH	2-24-17	MBA	2-24-17	<p>KOHLER. KOHLER, WISCONSIN 53044 THIS DRAWING IN DESIGN AND DETAIL IS KOHLER CO. PROPERTY AND MUST NOT BE USED EXCEPT IN CONNECTION WITH KOHLER CO. WORK. ALL RIGHTS OF DESIGN OR INVENTION ARE RESERVED.</p> <p>TITLE DIMENSION PRINT, 28-40 KW KDI MARINE</p> <p>SCALE 0.25 CAD NO. SHEET 1 of 2</p> <p>DWG NO. ADV-8857</p>
APPROVALS	DATE											
DDH	2-24-17											
DDH	2-24-17											
MBA	2-24-17											

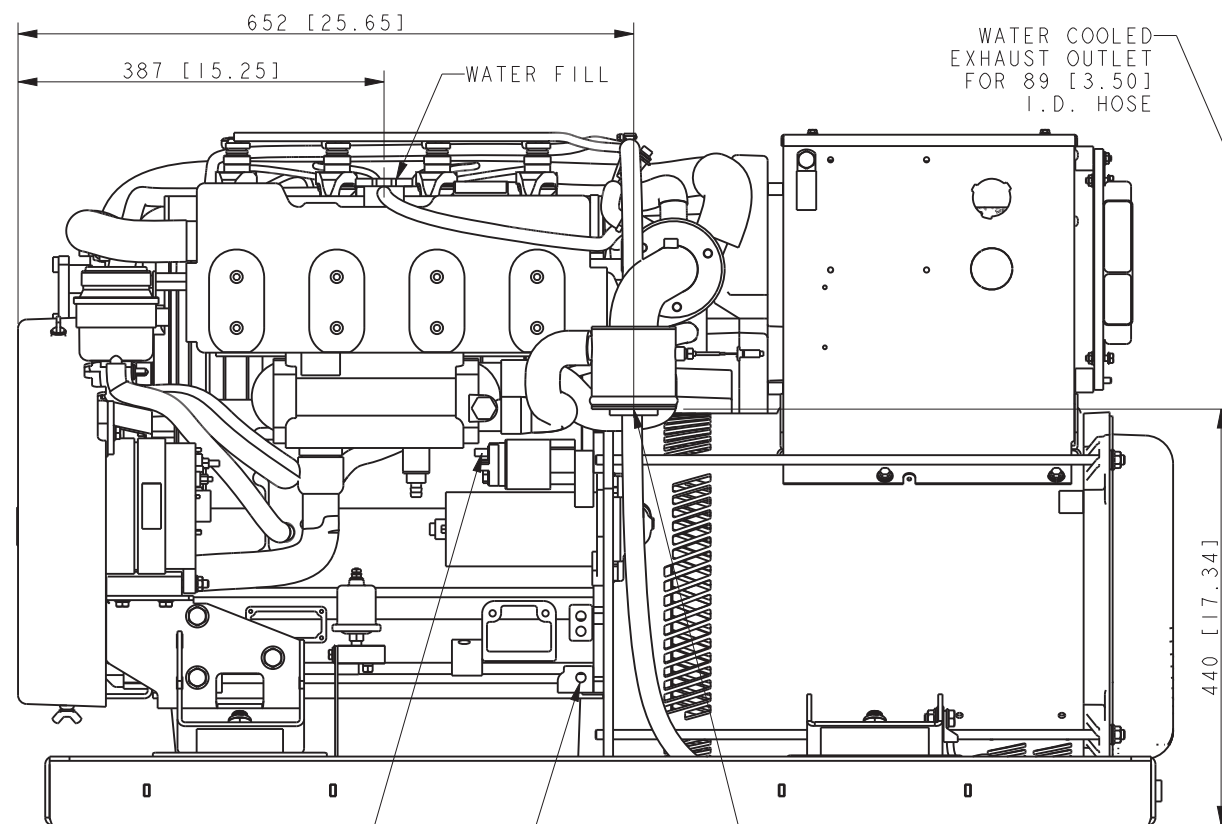
28EFKOZD/32EKOZD
35EFKOZD/40EKOZD
KOHLER DIESEL MARINE



WATER FILL

OIL FILL

WATER COOLED EXHAUST OUTLET



652 [25.65]

387 [15.25]

WATER FILL

WATER COOLED EXHAUST OUTLET FOR 89 [3.50] I.D. HOSE

440 [17.34]

M8x1.25 POSITIVE (+) BATTERY CONNECTION

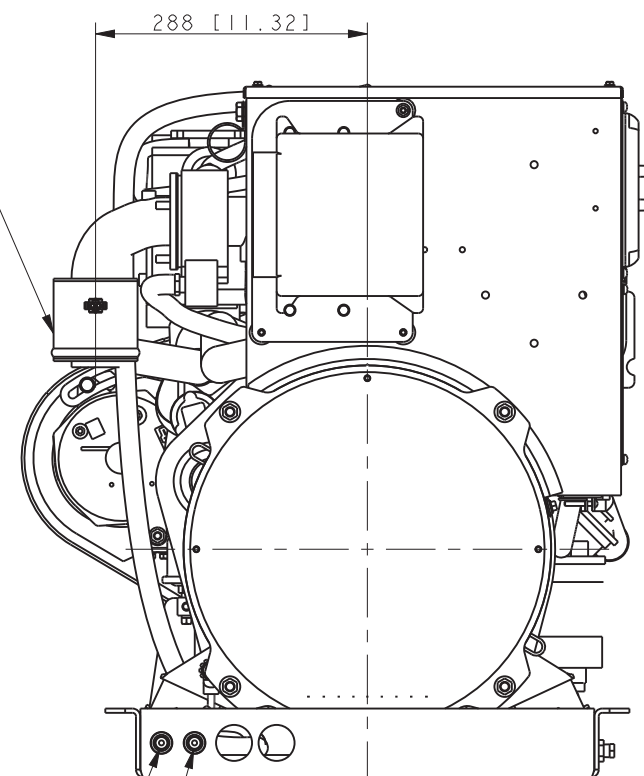
M12x1.75 NEGATIVE (-) BATTERY CONNECTION

WATER COOLED EXHAUST OUTLET

3/8 NPT FEMALE FUEL RETURN CONNECTION

3/8 NPT FEMALE FUEL SUPPLY CONNECTION

NOTE
FUEL SYSTEM MATERIAL SELECTION IS CRITICAL. SEE TP-7045 FOR MATERIAL REQUIREMENTS.



288 [11.32]

REV	DATE	ON COMPOSITE DWGS. SEE PART NO. FOR REVISION LEVEL	BY	DO NOT SCALE. REFERENCE THE MODEL FOR ALL UNSPECIFIED DIMENSIONS
-	2-24-17	NEW DRAWING [CT172951]	DDH	UNLESS OTHERWISE SPECIFIED: ALL DIMENSIONS IN MILLIMETERS GENERAL TOLERANCES: N/A
A	11-8-17	SEE SHEET 1 [CT179505]	DDH	
B	1-9-18	(A-5) FUEL SYSTEM NOTE ADDED [CT183071]	DDH	



APPROVALS	DATE
DRAWN DDH	2-24-17
CHECKED DDH	2-24-17
APPROVED MBA	2-24-17

KOHLER
KOHLER, WISCONSIN 53044

THIS DRAWING IN DESIGN AND DETAIL IS KOHLER CO. PROPERTY AND MUST NOT BE USED EXCEPT IN CONNECTION WITH KOHLER CO. WORK. ALL RIGHTS OF DESIGN OR INVENTION ARE RESERVED.

TITLE
DIMENSION PRINT, 28-40 KW KDI MARINE

SCALE 0.25 CAD NO. SHEET 2 of 2
DWG NO. **ADV-8857**