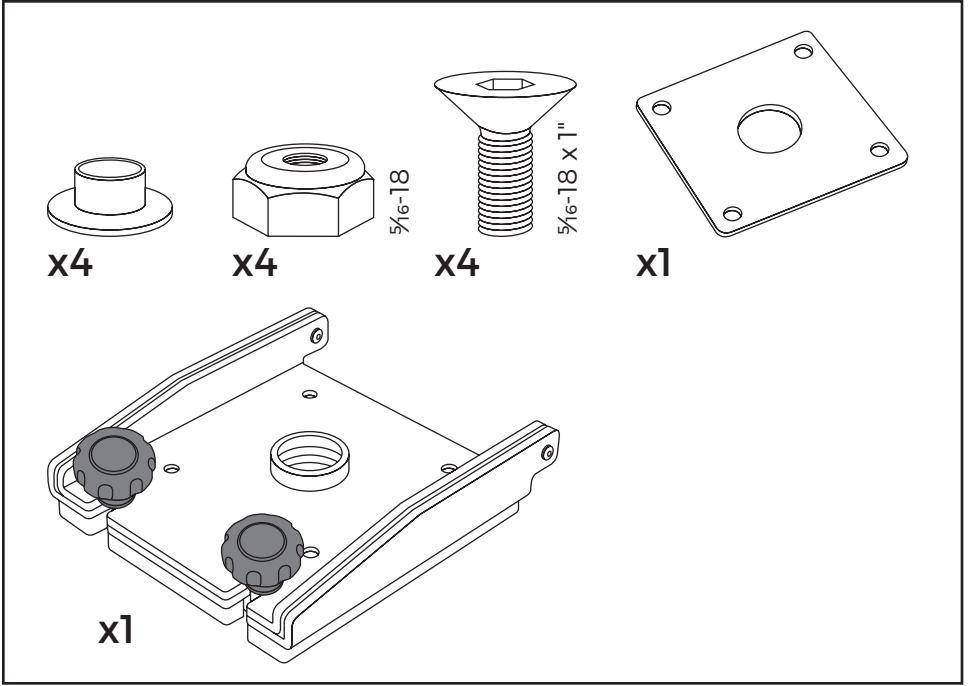
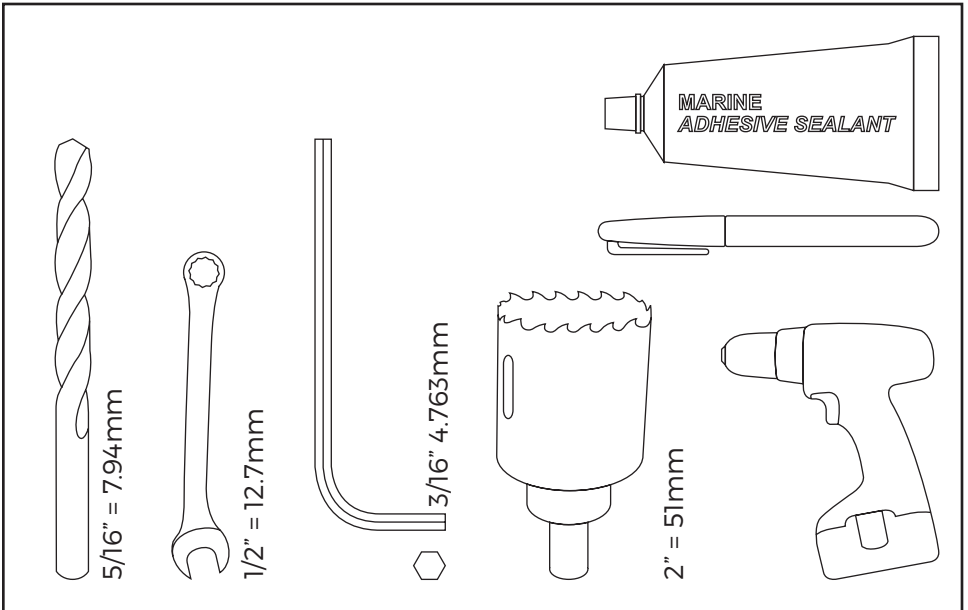


PM-H7, PM-H8, PM-H10 INSTALLATION INSTRUCTIONS

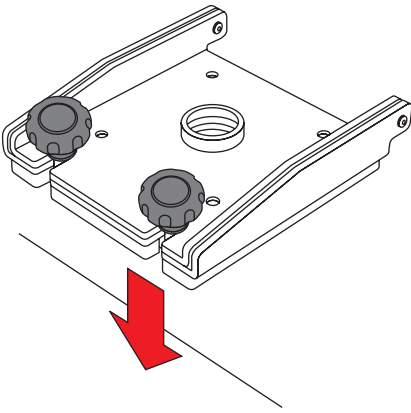
PARTS INCLUDED



TOOLS NEEDED

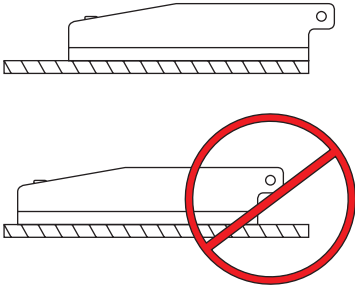


1



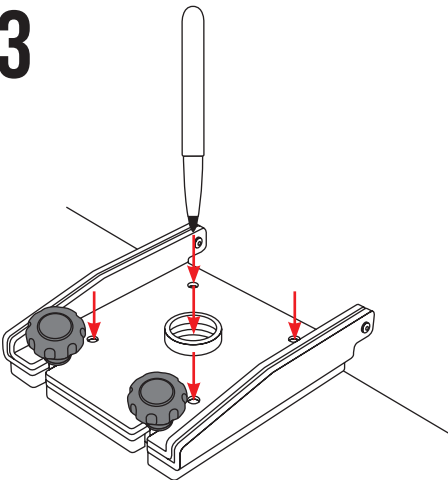
Place the hinge adapter onto the surface you are going to mount to.

2



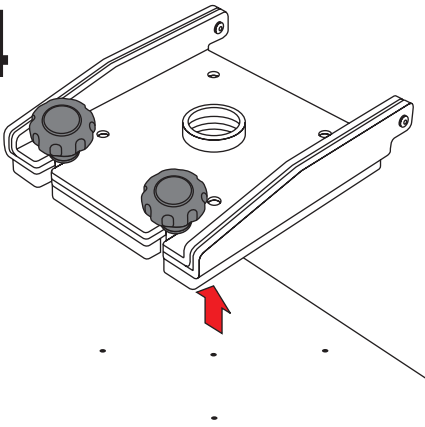
Be sure that the hinge adapter is placed near the edge of the surface to allow for adequate room to hinge back.

3



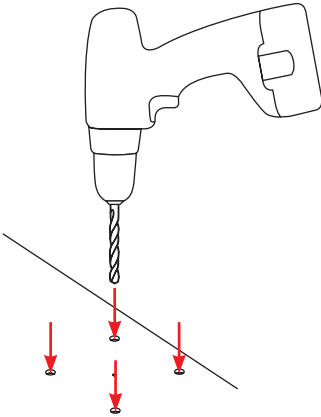
Mark the four bolt holes to drill, along with the center cable hole.

4



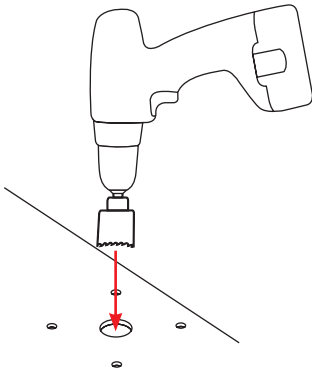
Remove the hinge adapter from the mounting surface.

5



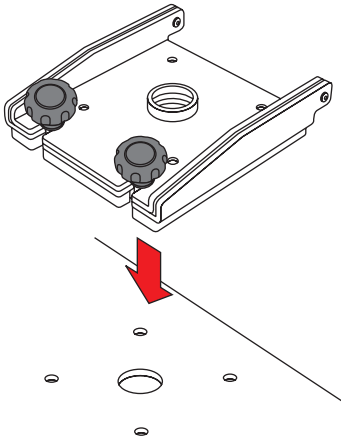
Drill the four bolt holes using a $\frac{5}{16}$ " drill bit.

6



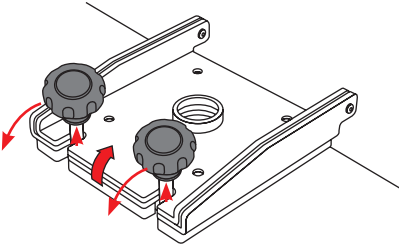
Using a 2" hole saw, cut a hole for the cables.

7



Place the hinge adapter onto the mounting surface. Make sure to lineup all the bolt holes.

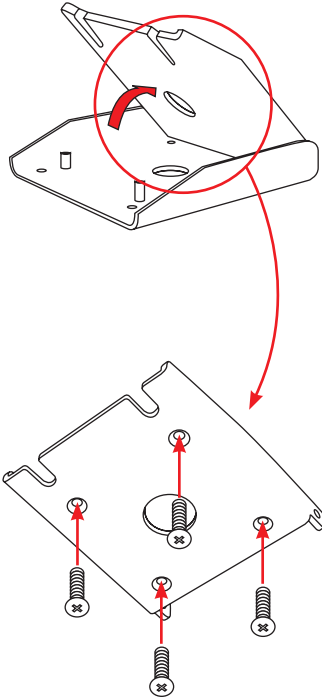
8



Loosen knobs and fold over.

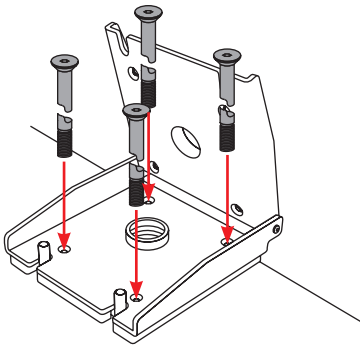
Lift up the top hinge plate.

9



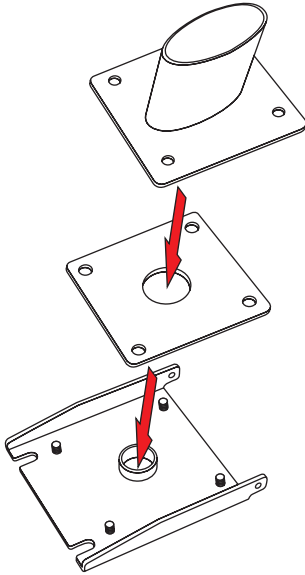
Insert the four $\frac{5}{16}$ -18 X 1" bolts through the underside of the top hinge adapter plate.

10



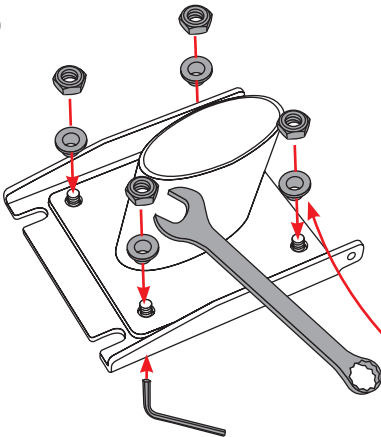
Using your own mounting bolts, insert them through the bottom mounting plate into the mounting surface.

11



Place the foam gasket (included in your Seaview mount) and the Seaview mount onto the top hinge adapter plate.

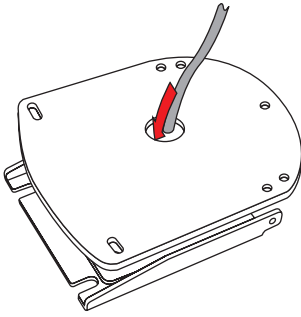
12



Apply some marine adhesive sealant to the four nylon shoulder washers. Then put them on the four bolts securing the Seaview mount to the hinge adapter.

Thread on the four nuts to secure the Seaview mount.

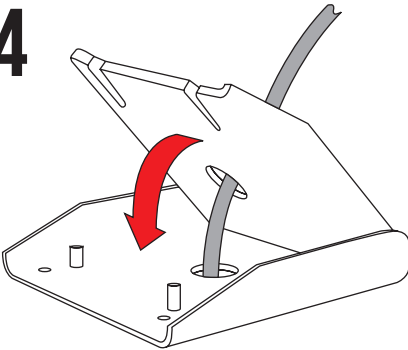
13



Route the electronics cable through the hinge adapter and through the Seaview mount.

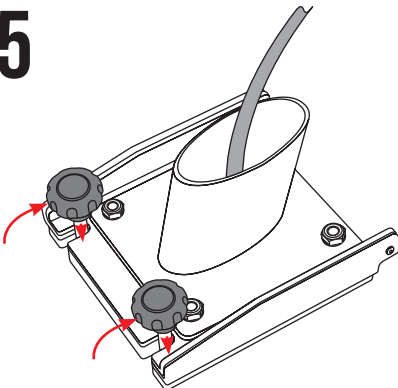
Note: The Seaview mount depicted in the image to the left will differ depending on your particular Seaview mount model.

14



Close the hinge adapter.

15



Fold the knobs back over and tighten to secure the two plates of the hinge adapter.



North American Office

12532 Beverly Park Road,
Lynnwood, WA 98087
Tel: 800-523-7558
Fax: 425-355-3661
www.seaviewglobal.com

European Office

Tel: +33 4 94 53 27 70
Fax: +33 4 94 53 26 62
ZI Du Capitou, 85 Rue Louis
Lepine, Frejus 83600 - France
www.seaviewprogress.com