

# Turbine Series - 75900/1000MAX/M/P

# FUEL

## Specifications:

**Height:** 75900MAX: 16.5" (41.9 cm)  
 751000MAX: 22.0" (55.9 cm)  
 75900MAXM: 15.8" (40.1 cm)  
 751000MAXM: 21.8" (55.4 cm)

**Width:** 18.75" (47.6 cm) with Bracket

**Depth:** 10.8" (27.4 cm) with Bracket

**Weight:** 75900MAX: 23.0 lbs (10.4 kg)  
 751000MAX: 30 lbs (13.6 kg)  
 75900MAXM: 23.0 lbs (10.4 kg)  
 751000MAXM: 30 lbs (13.6 kg)

**Valve Male Fittings:**  
 7/8"-14 UNF-2A  
 (SAE J514 37° Flare)

**Service Clearance (Top):**  
 75900MAX: 5.0" (12.7 cm)  
 751000MAX: 10.0" (25.4 cm)

**Vacuum Installation Recommended**  
**Maximum Pressure: 15 psi (1.03 bar)**

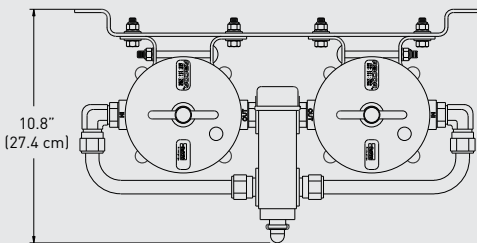
**Max Flow Rate:**  
 75900MAX: 180 gph (682 lph)  
 751000MAX: 360 gph (1362 lph)

## Create a Part Number

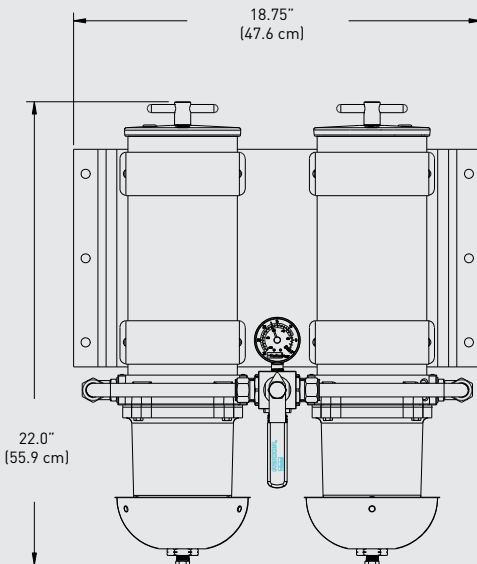
Housing Type	Filter Model	Valve Type	Assembly Options	Filtration Rating
Dual Assembly	Turbine Model 90/180 GPH Flow Rate	6-Port Ball Valve	Metal Bowl Option WIF Probe Option	2 micron 10 micron 30 micron
75	Turbine Model 180/360 GPH Flow Rate 900MA 1000MA	X	M P	2 10 30

ASSEMBLY	DESCRIPTION
75900MAX2	Marine - Dual 900 Turbine Assy., 2 micron Filter
75900MAX10	Marine - Dual 900 Turbine Assy., 10 micron Filter
75900MAX30	Marine - Dual Turbine Assy., 30 micron Filter
751000MAX2	Marine - Dual 1000 Turbine Assy., 2 micron Filter
751000MAX10	Marine - Dual 1000 Turbine Assy., 10 micron Filter
751000MAX30	Marine - Dual 1000 Turbine Assy., 30 micron Filter
75900MAXM2	Marine - Metal Bowl - Dual 900 Turbine Assy., 2 micron Filter
75900MAXM10	Marine - Metal Bowl - Dual 900 Turbine Assy., 10 micron Filter
75900MAXM30	Marine - Metal Bowl - Dual 900 Turbine Assy., 30 micron Filter
751000MAXM2	Marine - Metal Bowl - Dual 1000 Turbine Assy., 2 micron Filter
751000MAXM10	Marine - Metal Bowl - Dual 1000 Turbine Assy., 10 micron Filter
751000MAXM30	Marine - Metal Bowl - Dual 1000 Turbine Assy., 30 micron Filter
75900MAXP30	Marine - Dual 900 Turbine Assy., Water Sensor Probe, 30 micron Filter
751000MAXP10	Marine - Dual 1000 Turbine Assy., Water Sensor Probe, 10 micron Filter

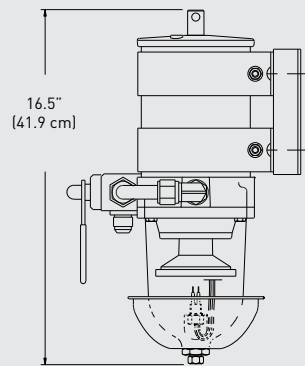
## Dimensions:



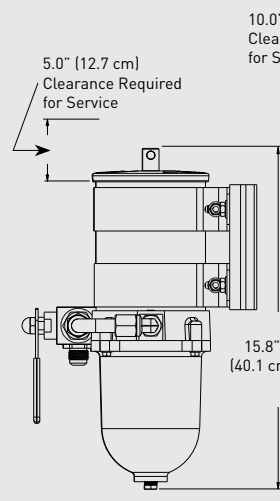
75900MAX/751000MAX Top



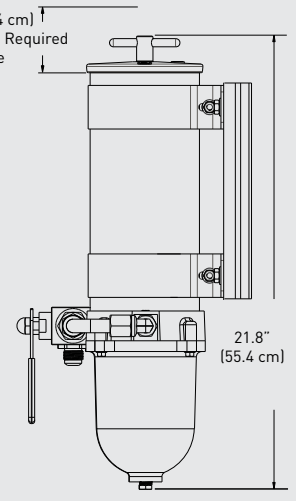
751000MAX Front



75900MAXP Profile



75900MAXM Profile



751000MAXM Profile



**WARNING:** The products described in this literature can expose you to chemicals including Diisononyl phthalate, Carbon black extract, which are known to the State of California to cause cancer. For more information go to [www.P65Warnings.ca.gov](http://www.P65Warnings.ca.gov).

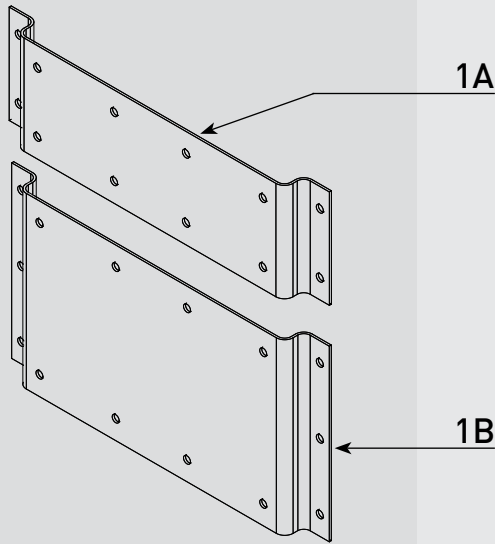
**RACOR®**

**DUAL ASSEMBLIES**

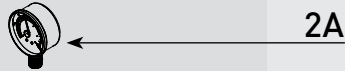
# PARTS

## Turbine Series - 75900/1000MAX/M/P

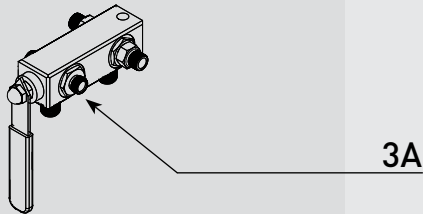
1



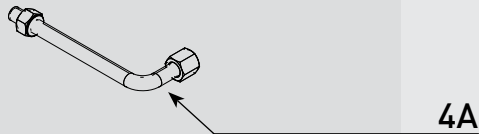
2



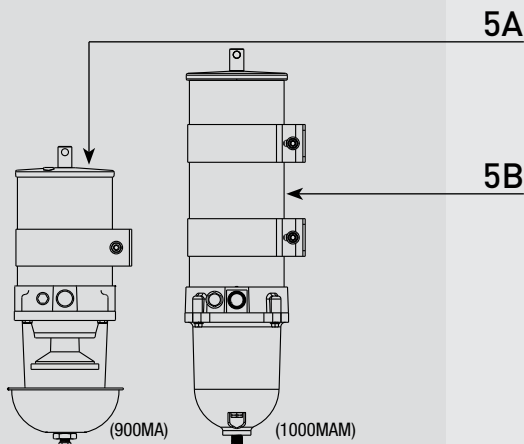
3



4



5



See **RSL0293**  
For 900MA/1000MA Parts Breakdown

Part #	Description
<b>1A</b> RK 19486	Mounting Bracket - 75900MAX - Bracket only (Beige Color)
<b>1B</b> RK 11-1777	Mounting Bracket - 751000MAX - Bracket only (Beige Color)
<b>2A</b> RK19669 RK19667	Vacuum Gauge (30" Hg) - 3 needles: Theshold (red), Max Change Out (Red - Adjustable), Gauge (Black) <i>Optional</i> - Compound Gauge Kit (Vacuum 30" HG / Pressure 15psi)
<b>3A</b> RK 19473	6-Port Ball Valve
<b>4A</b> RK 19475	Rigid Tubing Kit - Includes (1ea.) Tube, Ferrule and Fitting
<b>5A</b>	Turbine Fuel Filter - 900MA Series See Cutsheet <b>RSL0293</b> for available Parts and Accessories
<b>5B</b>	Turbine Fuel Filter - 1000MA Series See Cutsheet <b>RSL0293</b> for available Parts and Accessories

### Accessories and Parts Available (Not Shown)

<b>6A</b> RK 11-1952	<b>Complete Seal Service Kit</b> - 900MA/1000MA Series Filters (Requires 2)
<b>6B</b> RK 21069 RK23191	WIF Probe (pig tail) - 1/2"-20 UNF - <b>Requires 6C</b> WIF Probe (Steel/pig tail) - 1/2"-20 UNF - <b>Requires 6C</b>
<b>6C</b> RK 14329 RK 14321	Water Detection Module - 12 vdc Water Detection Module - 24 vdc
<b>6D</b> RK 19506	Valve Service Kit - Includes Handle/Stem/O-rings/Gasket
<b>7A</b>	Bowl Gasket - <b>Included in 6A</b>
<b>7B</b> RK 11-1606-1	MA Bowl Kit (Clear) - <b>Includes 7A, 7E &amp; 7H (Gasket &amp; O-ring only)</b>
<b>7C</b> RK 11734-03	MAM Bowl Kit (Metal) - <b>Includes 7A, 7D &amp; 7G</b>
<b>7D</b> RK 20022	Metal Bowl Plug Kit (MAM) ( <b>O-ring Included in 6A</b> )
<b>7E</b> RK 20126	Plastic Bowl Plug Kit (MA) ( <b>O-ring Included in 6A</b> )
<b>7F</b> RK 11868	Heat Deflector Kit (MA) - <b>Includes 7H</b>
<b>7G</b>	Drain Plug (MAM) - <b>Contact Technical Support</b>
<b>7H</b> RK 11-1910	Drain Plug Kit (MA) ( <b>Gasket &amp; O-ring Included in 6A</b> )
<b>8A</b> 2040N-02 2040N-10 2040N-30	900MA/MAM Replacement Element 2 micron 900MA/MAM Replacement Element 10 micron 900MA/MAM Replacement Element 30 micron
<b>8B</b> 2020N-02 2020N-10 2020N-30	1000MA/MAM Replacement Element 2 micron 1000MA/MAM Replacement Element 10 micron 1000MA/MAM Replacement Element 30 micron

### Valve Operations

