

# **ECU MAXX to FX-2 EasyStart**

## **Conversion Manual**

**Micro Air Corporation**  
**124 Route 526.**  
**Allentown NJ 08501**

**Phone (609) 259-2636**  
**WWW.Microair.net**  
**Fax (609) 259-6601**

## Introduction

The FX-2 control board with EasyStart and a compatible display can be used to replace the ECU-Maxx control board. Compressor starting currents with EasyStart will be significantly reduced from the original ECU Maxx control board.

Follow the steps outlined in this manual to install the FX-2 control board.

## Parts List

Quantity	Description	Part Number
1	FX-2 control board mounted on adapter plate	ASY-360-XL5 ADP-410-X0A
1	Display Cable	SUB-031-X15
1	FX-MAXX display (STANDARD)	ASY-385-XXX
4	Female angled spade connectors	TER-005-XXX

## Installation

### 1. Identify the wires

The [AC Wiring Changes](#)

page illustrates the necessary AC wiring changes. Mark the wires on the ECU Maxx from 1 to 14 as shown in the upper diagram. When you remove the board later, you will match the numbers in the diagram at the top to the appropriate terminals in the diagram on the bottom of the page.

The [Sensor Changes](#) Page illustrates the remaining changes. Mark the high pressure and low pressure switches as shown using numbers 15, 16, and 17.

### 2. Install the adapter plate with FX-2 control board

Remove the mounting screws (up to 6) and hex nuts (2) from the original ECU MAXX board and save the screws. Remove the ECU MAXX board. Install the mounting plate and FX-2 control board with the terminal strip closest to the wire entry. Use four machine screws from the original ECU MAXX board to secure the mounting plate to the electrical box.

### 3. Wire the AC components

Use the lower diagram on the [AC Wiring Changes](#)

page to complete the AC wiring. Connect the wires labeled in step 1 to the appropriate numbered terminal in as shown in the lower diagram. The wires connected to terminals 8, 9, and 10 will need to be changed to the included angled female spade connectors. Note that you will need to remove the wire from the compressor RUN terminal at the run capacitor, replace the end with a new angled female spade connector, and connect it to the RUN terminal on the top EasyStart board. Also note that the wires from both terminal 1 and terminal 3 on the ECU MAXX will both be connected to the pump L2 terminal on the FX-2 control board.

#### **4. Connect the Sensors**

Use the lower diagram on the Sensor Changes page to complete the sensor wiring. Connect the wires from 15 to 17, labeled in step 1, to the appropriate numbered terminal in as shown in the lower diagram. Note that one wire from each pressure switch will be connected together and connected to the middle wire on the connector.

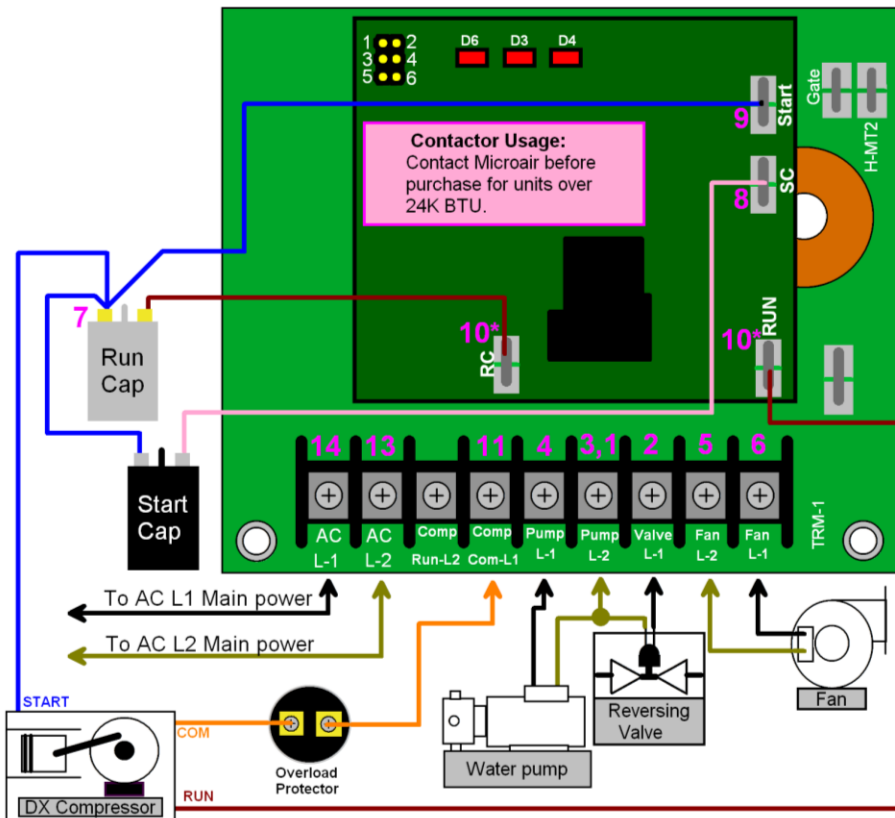
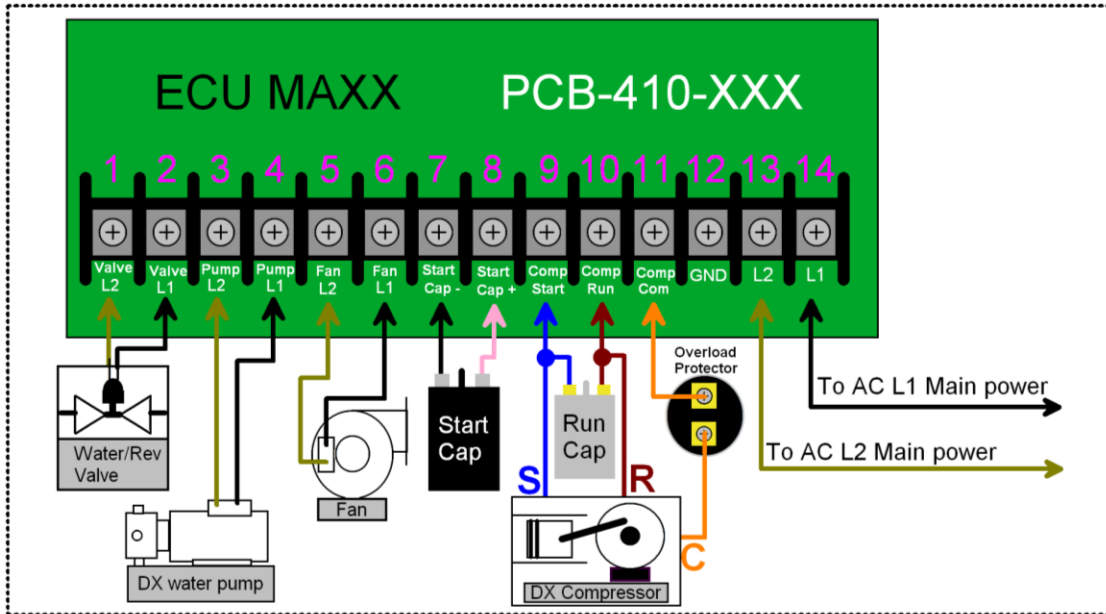
#### **5. Electric Heat**

If the original ECU MAXX board had the electric heat option, connect the wires for this option as shown for electric heat in the FX-2 control board manual.

#### **6. Display**

Replace the display cable with the cable included in the installation kit. Connect one end of the cable to the display and the other to the FX-2 control board.

# AC Wiring Changes

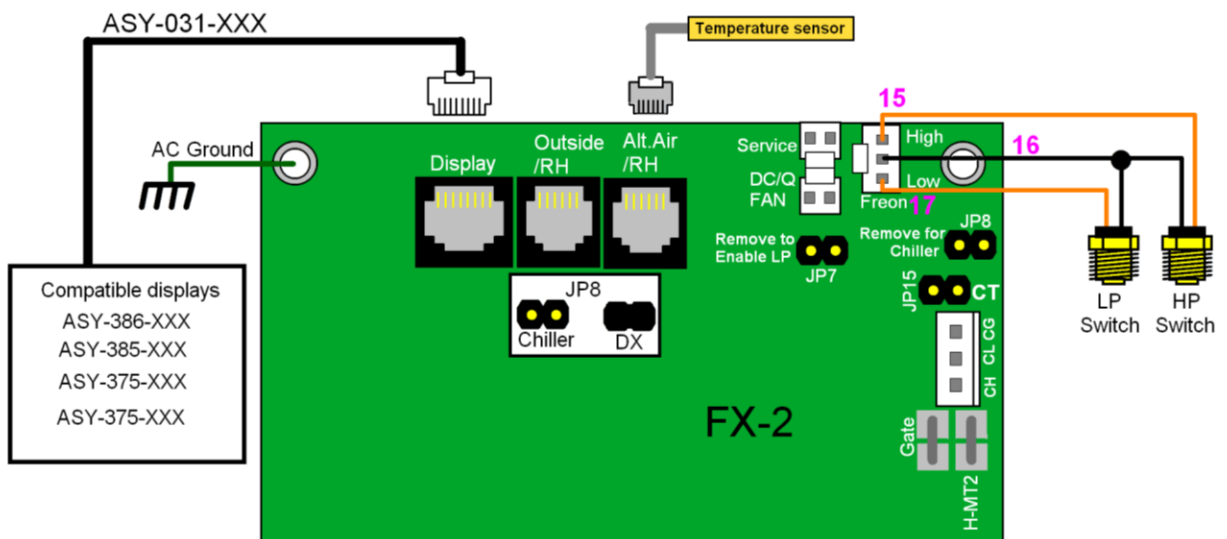
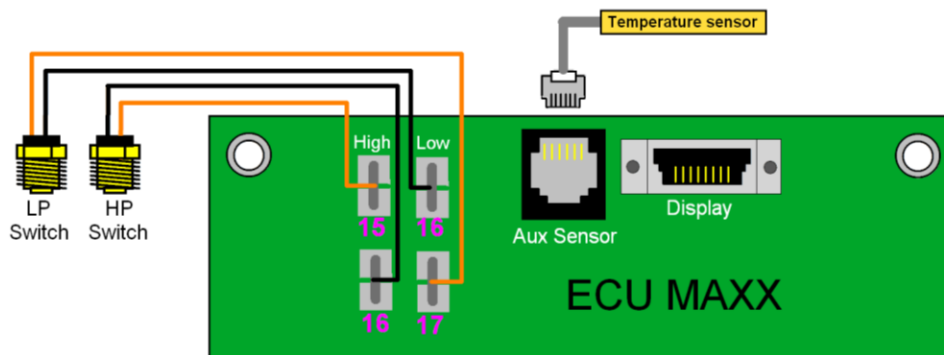


10\* Disconnect compressor "R" wire and connect to "RUN" terminal on EasyStart top board. Connect remaining wire from run capacitor to "RC" terminal on EasyStart top board.

**Note:** All L2 connections on both boards are commonly wired. It is not necessary to make any new additional L2 connections.

Micro Air Corp.	
ECU MAXX to FX-2 EasyStart Conversion	
October 2, 2015	Rev 1.01
Drawn By: Roger Krinic	
ASY-360-00L with ASY-521	

# Sensor Changes



- Compatible displays
- ASY-386-XXX
  - ASY-385-XXX
  - ASY-375-XXX
  - ASY-375-XXX

Micro Air Corp.	
ECU MAXX to FX-2 EasyStart Sensor Wiring	
October 6, 2015	Rev 2.01
Drawn By: Roger Krinic	
ASY-360-00L	

## **COPYRIGHT**

### **© 2017 Micro Air Corporation, All Rights Reserved**

No part of this publication may be reproduced, translated, stored in a retrieval system, or transmitted in any form or by any means electronic, mechanical, photocopying, recording or otherwise without prior written consent by Micro Air Corporation.

Every precaution has been taken in the preparation of this manual to insure its accuracy. However, Micro Air Corporation assumes no responsibility for errors and omissions. Neither is any liability assumed nor implied for damages resulting from the use or misuse of this product and information contained herein.