

ProMariner™

Visit ProMariner online at www.promariner.com, for a complete selection of quality marine products...

Here are just a few:

- ProMar1 Series - Recreational Grade Waterproof Marine Battery Chargers
- ProSport Series - Heavy Duty Recreational Grade Marine Battery Chargers
- ProTournament Series - Professional Grade Tournament Grade Marine Battery Chargers
- ProIsoCharge Series - Digitally Controlled Zero Loss Charging Isolators
- Digital Mobile Charge In-Transit Chargers
- Battery Maintainers
- AC Plug Holders
- Battery Isolators
- Isolation Transformers
- Galvanic Isolators and Monitored Systems
- Corrosion Control Products
- Waterproof Marine Binoculars
- Gold Plated Fuses and Holders
- A Complete Line of Hand Held Test Meters
- Online Technical Support and Service Support

Visit frequently, we are always adding new products for your boating enjoyment!

Professional Mariner, LLC

PO. Box 968
Rye, New Hampshire 03870
TEL: 603-433-4440
FAX: 603-433-4442
www.promariner.com

Made in Taiwan

specifications subject to change without notice

Design and Constructed to:
Marine UL 1236 SB
CSA C22.2 No. 107.2
FCC Class A
ABYCA-28

09/12 A

RECREATIONAL SERIES

ProMariner™

ProMar1

Marine Battery Charger



ProMar Fully Automatic Charging Inside



Owner's Manual and Installation Guide

Model	Part No.	Volts	Amps	Banks	Cables	Size	AC In
5	31405	12	5	1	6'	5.75" x 3.5" x 2"	115
5/3 (OEM only)	31408	12/24	8	2	6'	5.75" x 3.5" x 2"	115
5/5	31410	12/24	10	2	6'	9" x 5.25" x 2"	115
5/5/3	31413	12/24/+ENG	13	3	6'	9" x 5.25" x 2"	115

IMPORTANT NOTICE

Please save and read all safety, operating and installation instructions before installing or applying AC power to your on-board battery charger.

For factory service please call: 800.824.0524 or visit www.promariner.com

For use with Flooded (Lead-Acid) or Gel Batteries. Not for use with AGM (Absorbed Glass Matt) or 4D or 8D large capacity batteries

Safety Instructions.....pages 1-2

General Overview.....pages 3-5

Installation Guidelines.....pages 5-7

Wiring Diagrams.....pages 8-12

Charging Your Batteries..... page 13

Maintenance..... page 14

Trouble Shooting..... page 15

Customer Service & Warranty.....page 16

Selector Guide.....page 17

Accessories.....page 18

Please save and read this manual carefully and fully understand the safety instructions before installing your new ProMariner On-Board Marine Battery Charger.

General Safety

Before connecting your batteries or applying AC power, read all instructions and cautionary markings on the battery charger, cables, and batteries.

CAUTION - To reduce the risk of injury, charge only Lead-acid type rechargeable batteries; Flooded (Lead-acid), Sealed (Lead-acid) and Gel (Gelled Electrolyte Lead-acid). Other types of batteries may burst, causing personal injury.

Use of attachments not recommended or sold by ProMariner may result in a risk of fire, electrical shock or personal injury.

EXTERNAL CONNECTIONS TO CHARGER SHALL COMPLY WITH THE UNITED STATES COAST GUARD ELECTRICAL REGULATIONS (33CFR183, SUB PART 1).

Do not operate the charger if it has received a sharp blow, direct hit of force, been dropped or otherwise damaged in any way. Do not install if any protective AC and DC cable insulation, DC fuse holders and/or ring terminals have been damaged or compromised.

Call ProMariner for repair service to avoid risk of fire, short circuits or electrical shock.

Do not disassemble the battery charger. If service or repair is required please contact customer care at 800.824.0524. Incorrect reassembly or cable modifications may result in a risk of electrical shock, fire or explosion.

To reduce the risk of electrical shock, remove AC power from the charger prior to any maintenance or cleaning.

WARNING: RISK OF EXPLOSIVE GASES

WORKING IN THE VICINITY OF A LEAD-ACID BATTERY IS DANGEROUS. BATTERIES GENERATE EXPLOSIVE GASES DURING NORMAL BATTERY OPERATION. FOR THIS REASON IT IS OF EXTREME IMPORTANCE THAT EACH TIME BEFORE USING YOUR CHARGER YOU FOLLOW THESE SAFETY INSTRUCTIONS.

WARNING AVOID SERIOUS INJURY OR DEATH FROM FIRE, EXPLOSION, OR ELECTRICAL SHOCK

- Make your AC power connection in an open atmosphere free of explosive fumes.
- Make your AC power connection in a secure manner that will avoid contact with water.

Personal Safety Precautions

- a) Someone should be within the range of your voice or close enough to come to your aid when working near a Lead-acid battery.
- b) Have plenty of soap and water nearby in case battery acid comes in contact with skin, clothes, or eyes.
- c) Wear complete eye protection and clothing protection. Avoid touching eyes while working near battery(s).
- d) If battery acid contacts skin or clothing, wash immediately with soap and water. If acid enters eye, immediately flood eye with running cold water for at least 10 minutes and get medical attention immediately.
- e) NEVER smoke or allow a spark or flame in the vicinity of a battery or engine.
- f) Incorrect assembly or modification may result in risk of electrical shock, fire, or explosion.
- g) Be extra cautious to reduce risk of dropping a metal tool onto the battery. It might spark or short-circuit a battery or other electrical hardware which may cause an explosion or fire.

General Safety

h) Remove all personal metal items such as rings, bracelets, necklaces, watches, and jewelry when working near a battery. A battery can produce a short circuit current high enough to weld a ring or any other metal, causing serious burns.

Not intended to supply low voltage electrical systems other than in a marine application. Do not use your marine battery charger to charge dry cell batteries that are commonly used with home appliances. These batteries may burst and cause injury to persons and property. Never charge a frozen battery.

Safety Precautions Prior To Charging Batteries

If necessary to remove a battery from a boat to charge, **always remove the grounded negative terminal from the battery first**. Make sure all accessories in the boat are off, as to not cause an arc. Be sure the area around the charger and batteries is well ventilated while the batteries are being charged. Gases can be forcefully blown away using a piece of cardboard or other nonmetallic material as a fan.

Clean battery terminals with full eye protection to prevent corrosive material from coming in contact with eyes.

For flooded batteries add distilled water in each cell until electrolyte reaches levels specified by the battery manufacturer. This helps purge excessive gases from cells. Do not overfill. For batteries without caps, carefully follow manufacturer's recharging instructions.

Study all manufacturer's specific precautions, such as removing or not removing cell caps while charging, in addition to battery type for proper rate of charge.

Extension cords should be industrial grade / heavy duty UL approved and grounded. Check extension cord before use for damage, bent prongs, and cuts. Replace if damaged. Always make your extension cord connection on the charger side first. After connecting the extension cord to the charger proceed to plug the extension cord to a nearby 120 VAC GFCI protected (Ground Fault Circuit Interrupt) outlet.

Always remove the extension cord from the 120 VAC outlet first when charging is completed followed by unplugging the charger, completely disconnecting

IMPORTANT NOTICE: FCC CLASS A PART 15 NOTIFICATION

Your On-Board Marine Battery Charger has been designed and tested to comply with FCC Class A part 15. These regulations are to provide adequate protection against harmful interference while operated in a commercial application. If in a residential setting, you are encountering interference with TV and radio reception, simply remove AC power from the ProMariner unit to confirm if your battery charger is causing interference. End user can explore the following to minimize interference:

- 1) Chose a different AC circuit to power your On-Board Marine Battery Charger.
- 2) Make sure your outlet is properly grounded.
- 3) Re-position receiving antenna.
- 4) Purchase a separate AC line filter.
- 5) Relocate charger so that it is at the furthest point from home receiving equipment, TV, radio, etc.



General Overview

The ProMar1 Battery Charger is a fully Automatic/ Electronic On-board Marine Battery Charger. The unit is prewired for easy installation and is 100% waterproof for fresh and salt water applications.

The ProMar1 charger incorporates a durable one piece plastic housing. The unit offers fully automatic charging which includes a "Float " maintenance mode that is safe for long and short term storage. The charger can be left on indefinitely without harming or over charging your batteries.

Easy to view LED indicators will provide you with AC Power On and Charging Status.

The ProMar1 Battery Charger is available in 4 models and can be used in 12 and 24 volt with engine battery (model specific) configurations without rewiring or switching. Just attach the DC output cable terminals as illustrated in the installation section of this manual.

Understanding Battery Types

There are three primary types of batteries; Flooded (Lead-acid), AGM (Absorbed Glass Mat) and Gel Cell (Gelled Electrolyte Lead-acid). Traditionally, the most common type of batteries used are Flooded (Lead-acid batteries).

Almost all Gel Cell Batteries will state that they are Gel Cell on the battery case or labels.

NOTE: AGM (Absorbed Glass Mat) batteries are not Gel (Gelled Electrolyte Lead-acid) batteries. AGM batteries are charged with a completely different charge profile when compared to Gel batteries.

For use with Flooded (Lead-Acid) or Gel Batteries. Not for use with AGM (Absorbed Glass Matt) or 4D or 8D large capacity batteries.

***If you are unsure as to what kind of battery you have, we recommend that you contact the manufacturer of the battery.

General Operation

Install your ProMar1 - Fully Automatic / On-Board Marine Battery Charger to the guidelines in this manual.

Make sure your charger and batteries are properly vented. Connect your extension cord with no AC Power present to the battery charger and proceed to plug your extension cord in at a nearby 120 VAC GFCI protected (Ground Fault Circuit Interrupt) outlet.

With your ProMar1 Battery Charger plugged in properly, it will automatically charge your batteries while it conditions and extends the life of your batteries. When you are not at home always leave your charger plugged in to reduce sulfate buildup allowing your batteries to be fully charged and maintained until your next fishing trip.

AC Power and Charging LED Status Indicators

The ProMar1 Battery Charger includes three LED indicators as shown below.

- 1) Blue: AC Power on
- 2) Red: Charging
- 3) Green: Ready

When on, the blue LED remains on and the red LED indicates the unit is in its Automatic Charging Mode. When charging is complete only the blue and green LEDs will remain on.

Fully Automatic Charging Overview

When the ProMar1 Battery Charger is turned on the blue AC power indicator will turn on followed by the red charging LED indicator.

The automatic charger will provide the following:

ProMar1 Charging and Conditioning - Red and Blue LED On

During this mode the unit will use its available charging amps until battery voltage is raised to 14.1 VDC (safe for Lead Acid or Gel batteries).

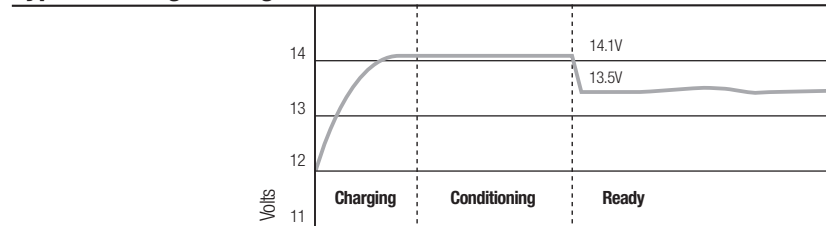
The unit will charge batteries to 14.1 VDC to complete charging while conditioning batteries. Upon completion the charger will go to into its ready mode.

Fully Automatic Charging Overview Continued

ProMar1 Float / Maintenance - Blue and Green LED Only On

During this mode the red "Charging" LED will turn off indicating that the charging process is over and the charger is now maintaining your batteries on-board. Only the blue and green LED will remain on, indicating Power On / Float-Maintenance mode. A precision 13.5 volts finishing voltage that maintains each battery (step down voltage regulation mode) which is perfect for short or long storage periods and will never overcharge your batteries.

Typical Average Voltage



Installation

All ProMar1 Battery Chargers are designed to be permanently mounted on-board, and can be mounted vertically or horizontally (vertically is recommended for LED viewing)

Always mount your Charger in a compartment area that can be properly ventilated during use.

Do NOT mount on a carpeted surface or in an area that will block air flow around or behind unit.

Do NOT mix battery types on-board. All batteries should be of the same age and in good operating condition.

Do NOT make any electrical connections to the battery charger or batteries until the following steps are completed:

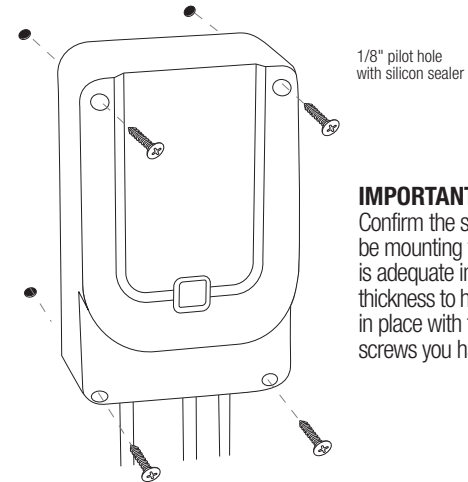
11 Easy to follow installation steps:

1. Select a mounting location that allows for free air ventilation with a minimum of 8 inches of clear unobstructed space around and in front of the battery charger. Open all battery and engine compartments and ventilate for at least 15 minutes before starting the installation of the battery charger.
2. Confirm the selected mounting location allows for a minimum of 8 inches of free space around front and sides of the battery charger. Do not install charger on carpeted, upholstered,

Installation Continued

vinyl or varnished areas. Be sure to place the ProMar1 Battery Charger in an accessible area where all indicators are viewable. Confirm all battery cables can reach each of the batteries.

3. Using the battery charger mounting template included with this manual use a small awl or screwdriver to mark the position of each mounting hole or tape the template in the mounting area to drill the pilot holes.
4. Using a 1/8" drill bit, drill pilot holes in the (4) marked locations as described in step 3. Apply a silicon sealer in each of the mounting locations to waterproof the screw holes.
5. Position the charger over the mounting holes and secure with a power screwdriver by installing 4 marine grade or #10 x 1" stainless steel screws. (mounting screws not included)



IMPORTANT NOTICE

Confirm the surface you will be mounting the charger to is adequate in strength and thickness to hold the charger in place with the mounting screws you have selected.

6. Prepare each battery in advance by cleaning each terminal post with a wire brush until a shiny surface is obtained.

IMPORTANT NOTICE

As you prepare to attach the positive (red) and negative (black) wires to the batteries there will be brief low power spark that is generated as you make the connection. This is due to the high frequency capacitors taking a charge. Make sure the black wires are connected as illustrated to the negative side of the battery and the red wires are connected to the positive side of the battery.

Installation Continued

7. Run your cables free from sharp objects and hold each of them in place with cable ties. Coil excess cable, **do not cut or shorten the length of the cables** as there are in-line fuses located 4 inches from the end of each positive (red) cable. These fuses are in place to protect the charger and output cables in the event of a short or reverse polarity.

8. Connect the DC output cables as illustrated on page 8. Make sure the black wire is connected as illustrated to the negative side of the battery and the red wires are connected to the positive side of the battery.

9. Make sure all DC connections are tight and correct.

10. Locate the AC power cord in an open-air area of your boat at least 21 inches from the charger, batteries and fuel fill lines.

11. Connect a heavy duty U.L. approved extension cord to the battery charger first. After connecting the extension cord to the charger then proceed to plug the extension cord to a nearby 120VAC GFCI protected (Ground Fault Circuit Interrupt) outlet. Always remove the extension cord from the 120VAC outlet first when charging is completed, followed by unplugging the charger.

You are now connected and charging your batteries. View the LED indicators. Assuming your batteries are discharged you should observe both the blue "Power" LED and the red "Charging" LED on, indicating charging mode is in process.

ProMar1 Wiring Diagrams

IMPORTANT NOTICE

If only two batteries are used with a 3 bank charger, then connect the unused output cable to either one of the two batteries, as instructed in item 8 above

Always connect each charger output to a single 12V battery even if the batteries are wired series for 24V or 24V with an engine battery.

Installation

When connecting each jacketed battery charger cable, make sure it is connected to only **one 12 VDC battery** and observe the polarity and color of all connections:

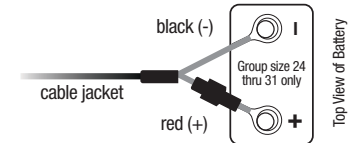
Red Wire = + (Positive) Battery connection

Black Wire = - (Negative) Battery connection

The black wire can never be connected to a terminal with red wires. Only black.

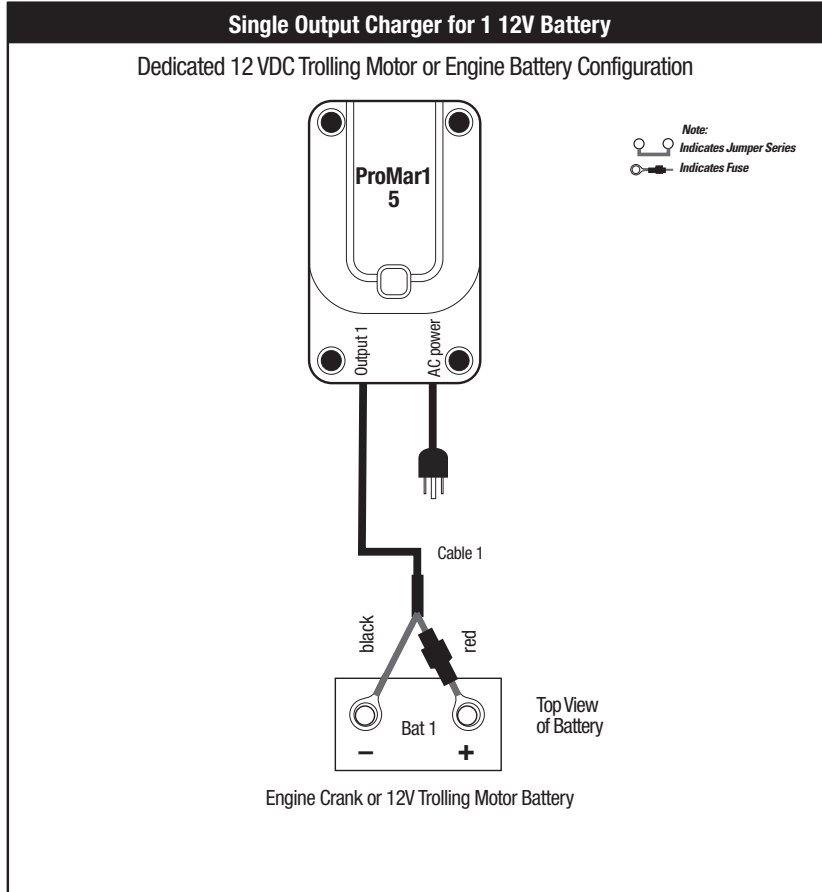
Important: The pair of red and black wires in 1 cable jacket MUST GO TO THE SAME 12VDC battery.

Each charger cable must be connected to 1 battery, just as shown. Observe black to (-) and red to (+). Do this for each battery.



When connecting to an engine start battery only connect the battery bank cable that is LABELED: "FOR ENGINE BATTERY USE THIS BANK CABLE ONLY".

ProMar1 Wiring Diagrams

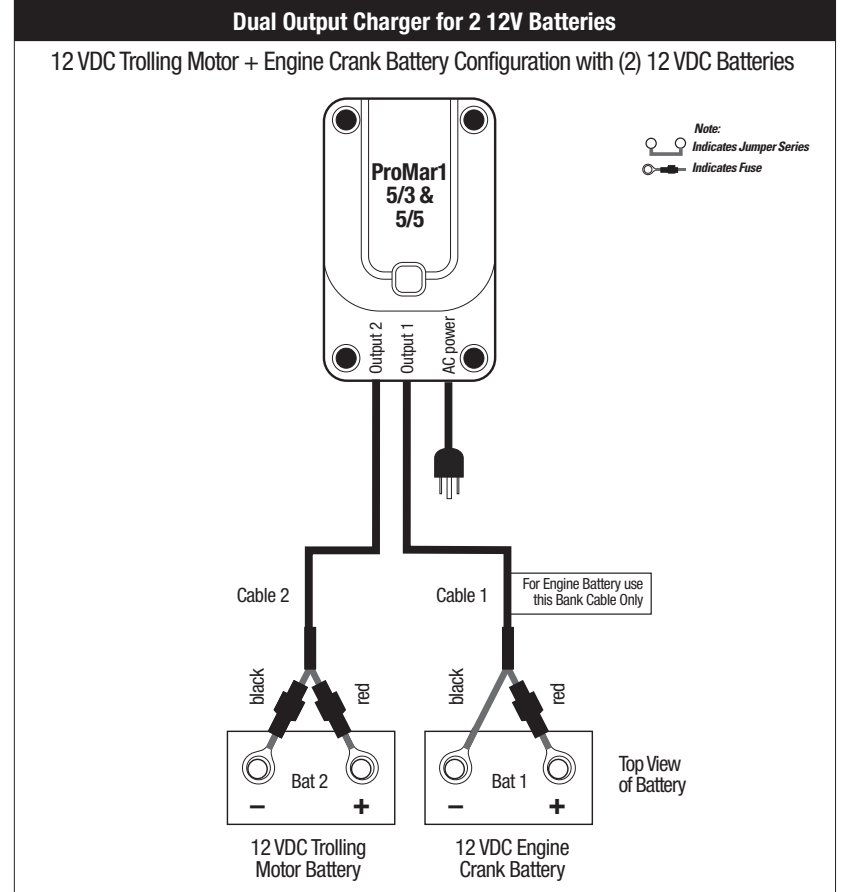


Installation

When connecting each jacketed battery charger cable, make sure it is connected to only **one 12 VDC battery** and observe the polarity and color of all connections:

- Red Wire = + (Positive) Battery connection
- Black Wire = - (Negative) Battery connection
- The black wire can never be connected to a terminal with red wires. Only black.

ProMar1 Wiring Diagrams



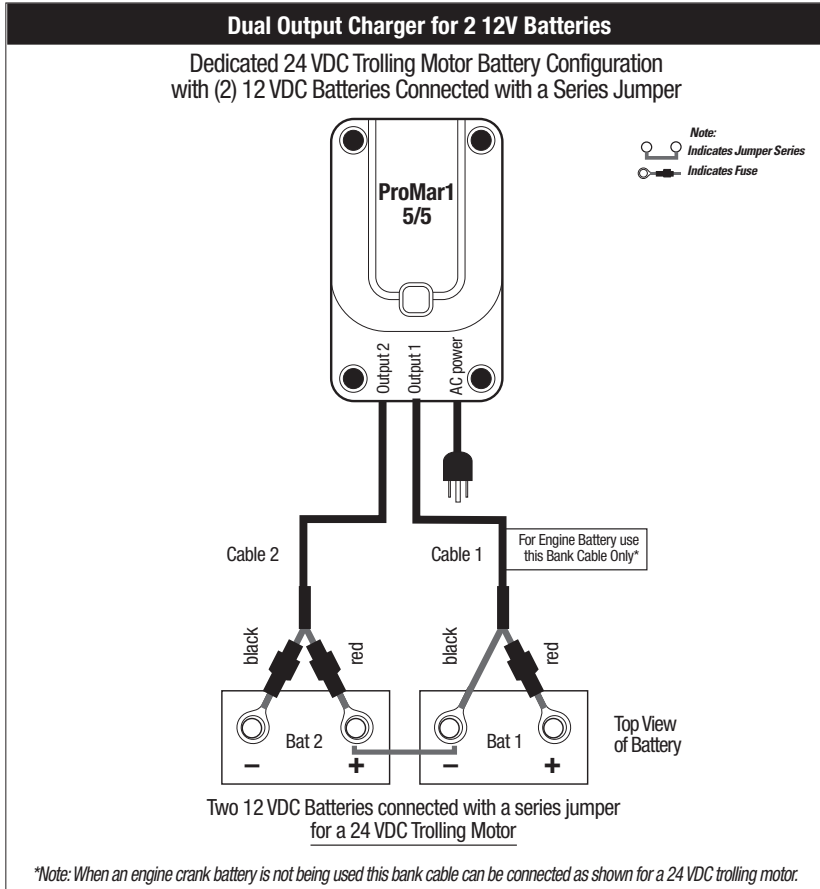
Installation

When connecting each jacketed battery charger cable, make sure it is connected to only **one 12 VDC battery** and observe the polarity and color of all connections:

- Red Wire = + (Positive) Battery connection
- Black Wire = - (Negative) Battery connection
- The black wire can never be connected to a terminal with red wires. Only black.

Important: The pair of red and black wires in 1 cable jacket MUST GO TO THE SAME 12VDC battery.

ProMar1 Wiring Diagrams



Installation

When connecting each jacketed battery charger cable, make sure it is connected to only **one 12 VDC battery** and observe the polarity and color of all connections:

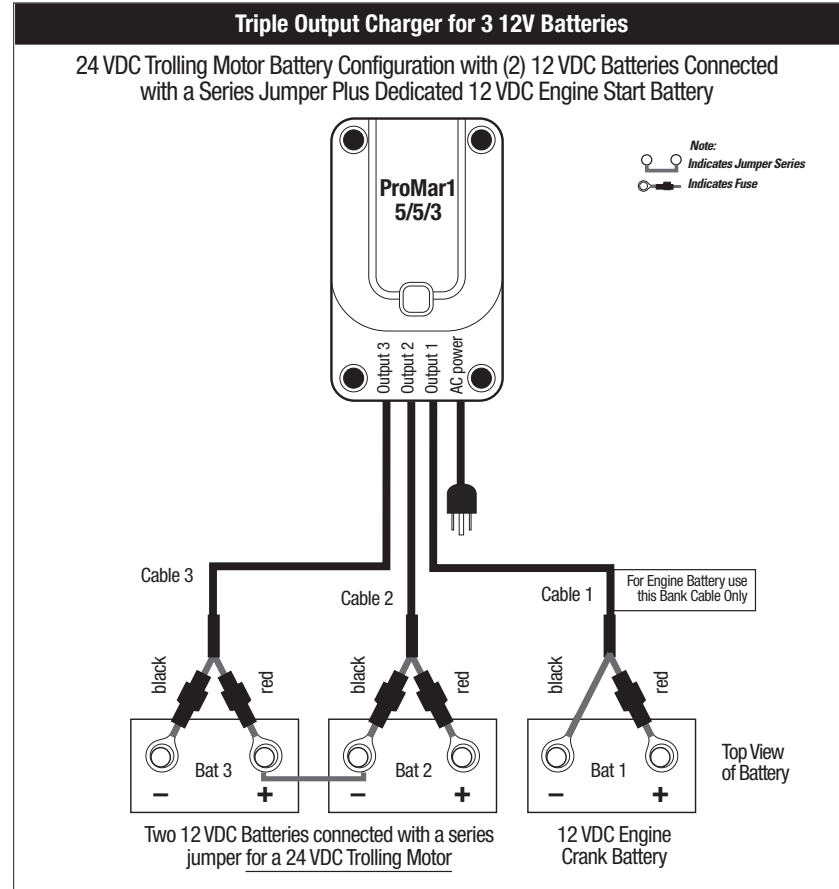
Red Wire = + (Positive) Battery connection

Black Wire = - (Negative) Battery connection

The black wire can never be connected to a terminal with red wires. Only black.

Important: The pair of red and black wires in 1 cable jacket MUST GO TO THE SAME 12VDC battery.

ProMar1 Wiring Diagrams



Installation

When connecting each jacketed battery charger cable, make sure it is connected to only **one 12 VDC battery** and observe the polarity and color of all connections:

Red Wire = + (Positive) Battery connection

Black Wire = - (Negative) Battery connection

The black wire can never be connected to a terminal with red wires. Only black.

Important: The pair of red and black wires in 1 cable jacket MUST GO TO THE SAME 12VDC battery.

Charging Batteries

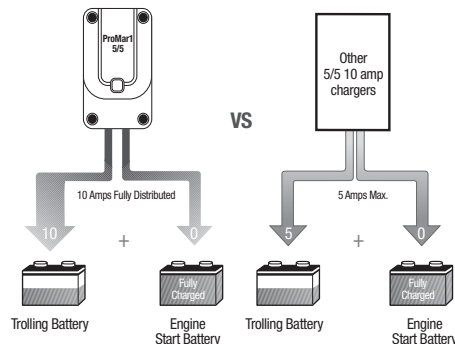
The ProMar1 Battery Charger is designed to charge and maintain your batteries. Please follow these steps each time you use your ProMar1 charger:

1. Open all battery compartments and ventilate for at least 15 minutes before applying AC power to your charger. While charging your batteries make sure to keep your battery compartment open allowing for free air ventilation.
2. Make sure all DC battery connections are tight and clean. Follow battery manufacturer's recommendations for battery cell caps (loosen caps if applicable).
3. Connect a heavy duty U.L. approved extension cord to the ProMar1 charger first. After connecting the extension cord to the charger then proceed to plug the extension cord to a nearby 120VAC GFCI protected (Ground Fault Circuit Interrupt) outlet.
4. Observe the on-board LED indicators for a solid blue and solid red LED Indication. This will tell you the batteries are in the charging process.
5. Charge your batteries until only the blue and green LED indicators remains on. This indicates the charging process is completed and your batteries are fully charged and are now being maintained in a gentle float / storage mode. (recommended while your boat is not in use).
The battery charger can be left on in this mode indefinitely and will never overcharge your batteries. Refer to the page 4.
6. When ready to use your boat, unplug the extension cord from the 120 VAC outlet first, followed by unplugging the charger.

Distributed-On-Demand™ Technology vs. Traditional Fixed Amp per Bank Chargers

How Distributed On-Demand™ Technology Works...

Distributed-On-Demand™ Charging Technology ensures 100% of the available charging amps are fully utilized to meet the demand of each battery on-board. Let's say your engine start battery is fully charged and needs 0 amps from your "ProMar1" (5/5) 2 bank charger. No problem, the unused 5 amps will be automatically Distributed-On-Demand™ to your trolling motor battery providing a total of 10 amps for faster charging versus only 5 amps that the conventional 5/5 charger would provide.



Owner's Periodic Maintenance Guide

Item:	Battery Connections
Process:	Clean and tighten all battery connections. Follow battery manufacturer's instructions for cleaning a battery. Clean all battery terminals with a wire brush where required and tighten all battery connections.
When:	Monthly

Item:	Battery Electrolyte
Process:	In the case of flooded batteries, per battery manufactures instructions, monitor and maintain proper levels of distilled water in each battery.
When:	Monthly

Item:	DC Output Wiring
Process:	Visually inspect all wiring for cuts and abrasions. Contact ProMariner if charger needs to be serviced with new wiring.
When:	Monthly

Item:	AC Power Cord and Mounting Hardware Inspection
Process:	Process: Visually inspect the AC power cord. Confirm ground blade is present and all plug blades are in good conditions and not bent out of place. Check all mounting hardware to ensure there is no loose hardware. Tighten were required.
When:	Monthly

Trouble Shooting Guide

No Blue, Red or Green LED Indicators

Check for loss of AC power at the 120VAC outlet. Confirm GFCI (Ground Fault Circuit Interrupt) outlet has not tripped. Check with a meter or 120VAC test light that AC is present at the end of your extension cord.

Confirm all charger cables are installed with the correct polarity connections at each battery and that all connections are clean and tight.

With the AC Power removed and the engine off, check the charge level of each battery with a DC meter or handheld DC tester. If there is no charge level indication for a battery, check each battery with a hydrometer to determine if it has one or more bad cells. (batteries should always be replaced in sets, and always the same type.)

If everything above checks out ok, contact ProMariner for product service.

Batteries are not Charging, but Blue and RED LED Indicators are “on”

Confirm all charger cables are installed with the correct polarity connections at each battery, and that all connections are clean and tight. *Reverse polarity connections will blow output fuse, resulting in no output voltage.*

With the charger on, read DC voltage at each battery. If any of the readings are less than 13 VDC Proceed with the following:

A. Disconnect AC power at the 120VAC outlet.

B. Remove charger cables from each battery.

C. Reconnect AC power and read DC Voltage across each output cable, if output voltage is approximately 14.1DC the charger is ok and each battery should be tested with a hydrometer with the charger and engine off to determine if one or more batteries have bad cells. (batteries should always be replaced in sets, and always the same type.)

D. If there is no output when trying to read DC voltage check each output fuse and replace as needed.

If the DC voltage at each charger output is less than 13.0 volts contact ProMariner for product service.

ProMar1 Limited Warranty

We are committed to customer satisfaction and value your business. If at any time during the warranty period you experience a problem with your new ProMar1 On-Board Marine Battery Charger simply call us at 1-800-824-0524 for technical support.

PROMAR1 LIMITED TWO-YEAR FACTORY WARRANTY

Each ProMite model is guaranteed against defects in material and workmanship to the original consumer in normal use for 2 years from the date of purchase. Professional Mariner, LLC will at it's discretion repair or replace free of charge any defects in material or workmanship. The following conditions apply:

- Warranty is calculated from manufacture date if not registered within two weeks of sale.
- Warranty void if unauthorized repairs attempted.
- Customer is responsible for returning the product to Professional Mariner, LLC. Inbound shipping costs must be prepaid.
- This warranty does not cover blemishes due to normal wear and tear or damaged caused by accidents, abuse, alterations or misuse.
- Cosmetic repairs can be done at owner's request and expense.

Purchase or other acceptance of the product shall be on the condition and agreement that Professional Mariner SHALL NOT BE LIABLE FOR INCIDENTAL OR CONSEQUENTIAL DAMAGES OF ANY KIND. (Some states do not allow the exclusion or limitation of incidental or consequential damages, so the above limitations may not apply to you.) This warranty is made in lieu of all other obligations or liabilities on the part of Professional Mariner. Professional Mariner neither assumes nor authorizes any person for any obligation or liability in connection with the sale of this product.

To make a claim under warranty, write directly to Professional Mariner, LLC at P.O. Box 968, Rye, NH 03870, identifying the product and giving its locations. Follow the company's return instructions, which will then be provided by the company. Professional Mariner will make its best effort to repair or replace the product, if found defective within the terms of the warranty, within (30) days after return of the product to the company. Professional Mariner will ship the repaired, or replaced product back to the purchaser.

This warranty gives you specific legal rights, and you may also have other rights, which vary from state to state. This warranty is in lieu of all others expressed or implied.

Professional Mariner, LLC Headquarters
Tel: (603) 433-4440 / Fax: (603) 433-4442

Factory Service Center & Technical Offices
Professional Mariner, LLC
200 International Drive STE 195
Portsmouth, NH 03801
Tel: 1-800-824-0524 www.promariner.com

3 ProMar1 Marine Battery Charger Models to Choose From...

5 Amp Single Bank

Model: 31405

- Max. Batteries:** 1 12V
- Ideal Use:** Single 12V engine crank battery
or
Single 12V trolling motor battery
- DC Output:** Single 12V output at 5 Amps Max.
- AC Input:** 115 VAC / 60Hz
- Cable Length** 6' AC and DC



5/3 Amp Dual Bank (OEM Only)

Model: 31408

- Max. Batteries:** 2 12V 12V
- Ideal Use:** Single 12V engine crank battery
+
One 12V trolling motor battery (for 12V trolling motor)
- DC Output:** Dual 12V output at 5 Amps maximum fully distributed
- AC Input:** 115 VAC / 60Hz
- Cable Length** 6' AC and DC



5/5 10 Amp Dual Bank

Model: 31410

- Max. Batteries:** 2 12V 12V
- Ideal Use:** Single 12V engine crank battery
+
One 12V trolling motor battery (for 12V trolling motor)
or
Two 12V trolling motor batteries (for 24V trolling motor)
or
Two 12V engine crank batteries
- DC Output:** Dual 12V output at 10 amps maximum fully distributed
- AC Input:** 115 VAC / 60Hz
- Cable Length** 6' AC and DC



5/5/3 13 Amp Triple Bank

Model: 31413

- Max. Batteries:** 3 12V 12V 12V
- Ideal Use:** Single 12V engine crank battery
+
Two 12V trolling motor batteries (for a 24V trolling motor)
or
Three 12V engine crank batteries
- DC Output:** Triple 12V outputs at 13 amps maximum fully distributed
- AC Input:** 115 VAC / 60Hz
- Cable Length** 6' AC and DC



Note: Not for use with AGM (Absorbed Glass Matt) or 4D or 8D large capacity batteries

Accessories

ProSport 1.5 Battery Maintainers

Fully automatic, with built-in safety.
LED status indicator, 1-year warranty



ProMariner & Universal Plug Holders

Secure your AC plug with an easy to mount plug holder. No cutting or stripping of wires required. Safe and easy to use. Choose from two colors, black or white.



Remote Battery Bank Status Monitor

Remote "Push to Test" status indicators for up to 3 batteries with easy to read LED indicators. Universal flush or surface mount capable.



Battery Bank Cable Extenders

No cutting, stripping, or splicing wires! 2 convenient sizes to choose from: 5' or 15'. Gold plated terminals, in line fuses and hardware included.



Hand Held Digital Multi-Meter

Test and measure AC and DC voltage and amperage, continuity, resistance fuses outlets and more. Large digital LCD display with back light and hold feature. Test leads included.



Model	Part No.	Cable Length	Volts	Banks
Handheld DC System Tester	87710	n/a	n/a	n/a
Remote Battery Bank Status Monitor	51060	10'	12	3
ProMariner AC Plug Holder (white)	51200	n/a	n/a	n/a
ProMariner AC Plug Holder (black)	51201	n/a	n/a	n/a
Universal AC Plug Holder (black)	51202	n/a	n/a	n/a
Universal AC Plug Holder (white)	51203	n/a	n/a	n/a
15' Battery Bank Cable Extender	51070	15'	n/a	n/a
5' Battery Bank Cable Extender	51071	5'	n/a	n/a

To place an order

contact your local retailer, dealer or ProMariner at: 603-433-4440 / Fax: 603-433-4442 / or visit us online at www.promariner.com