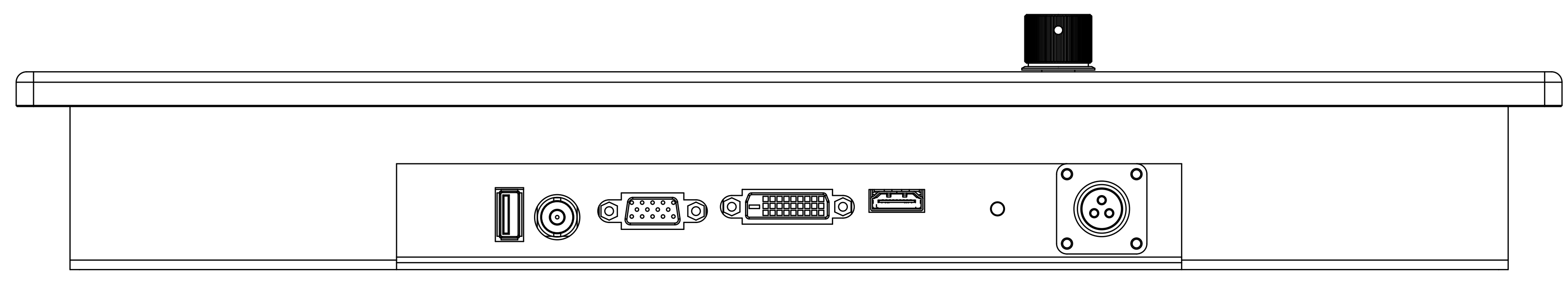
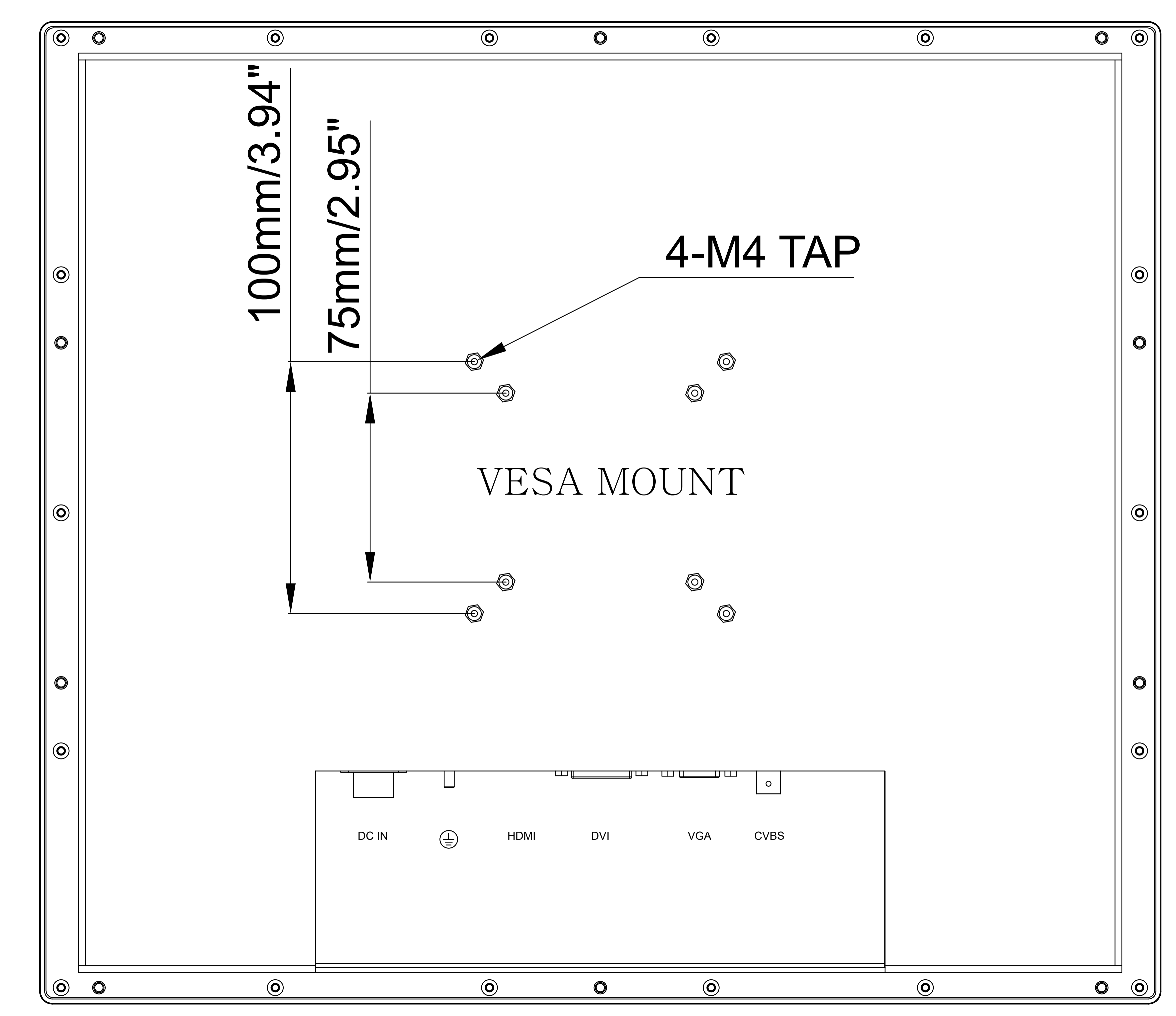
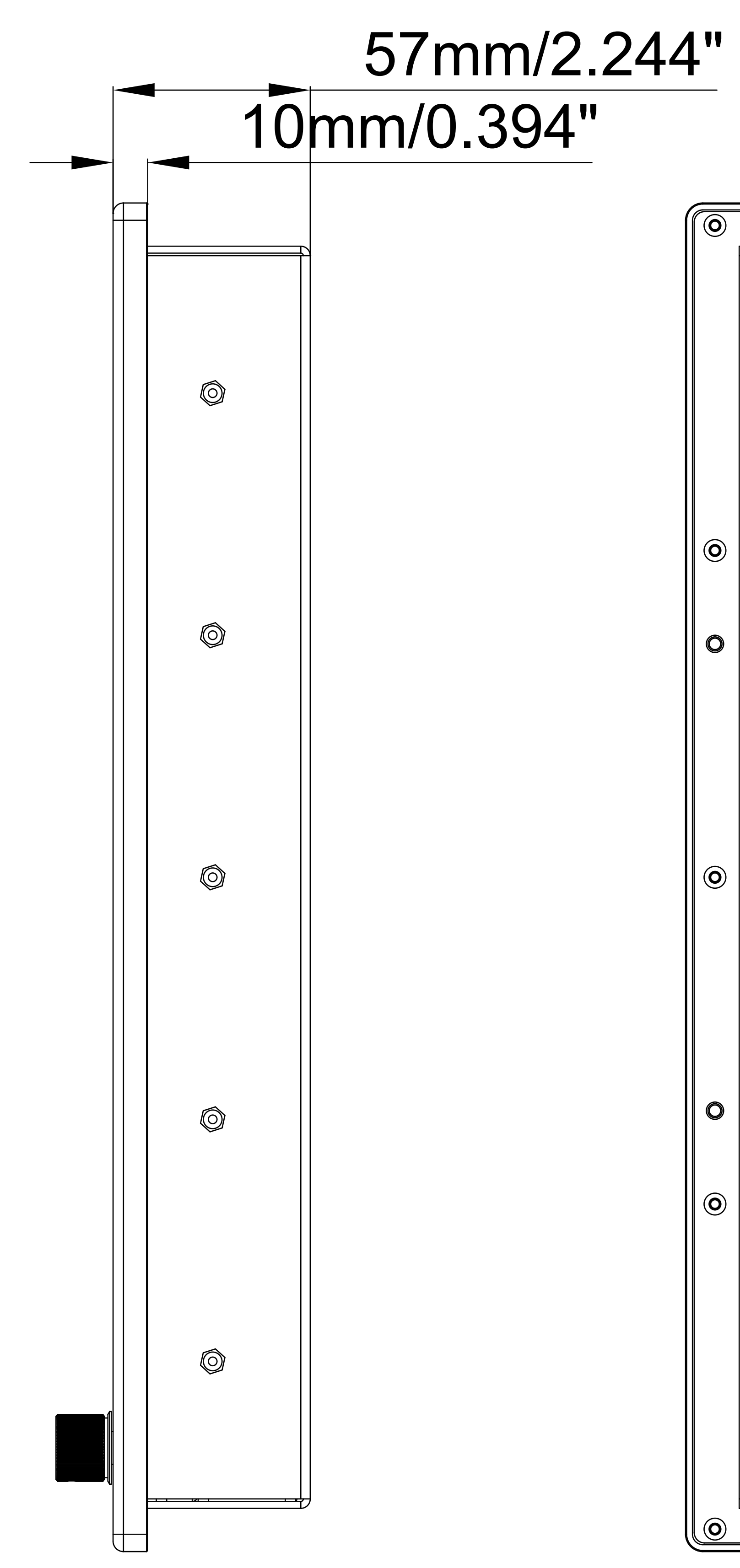
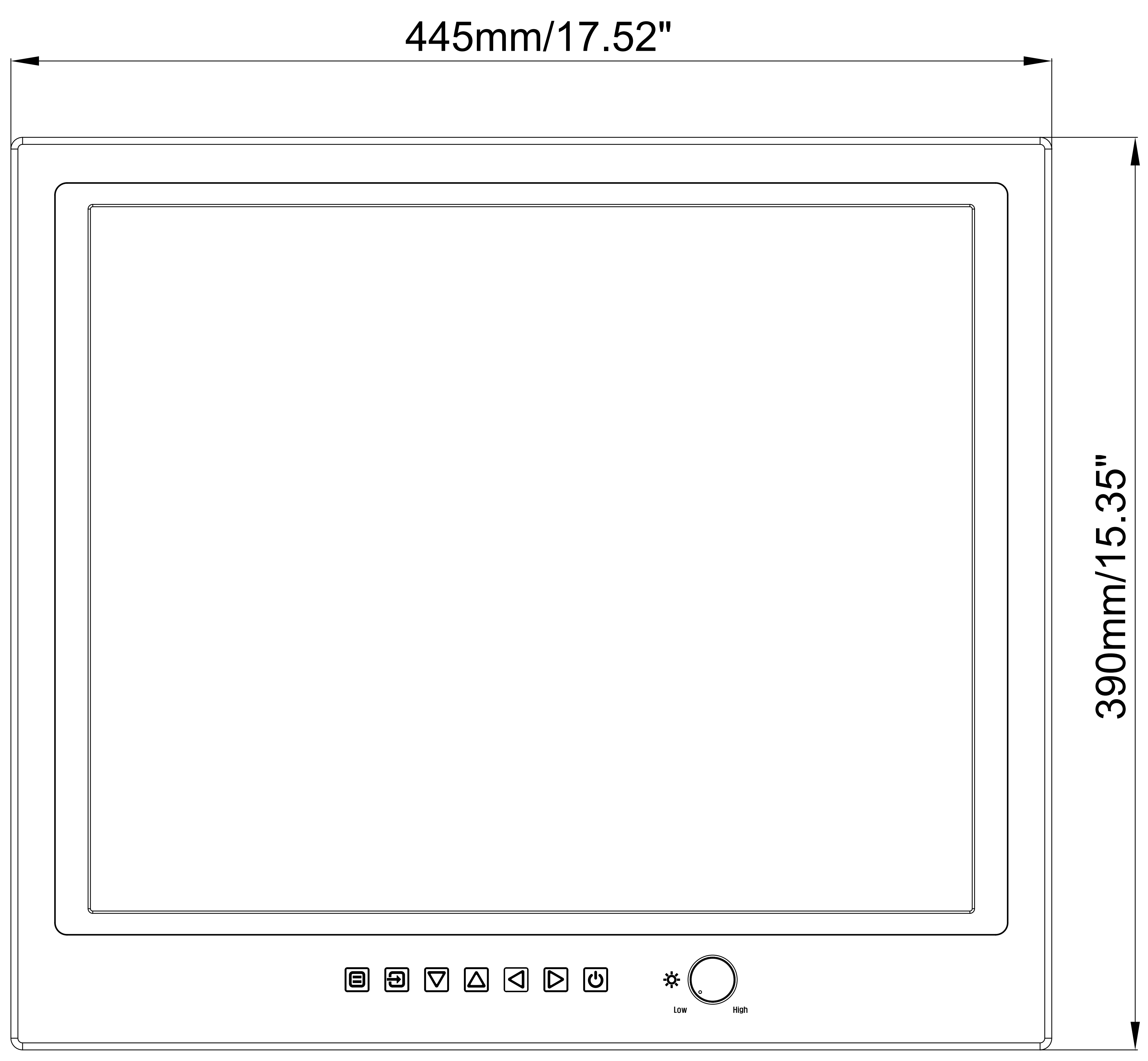
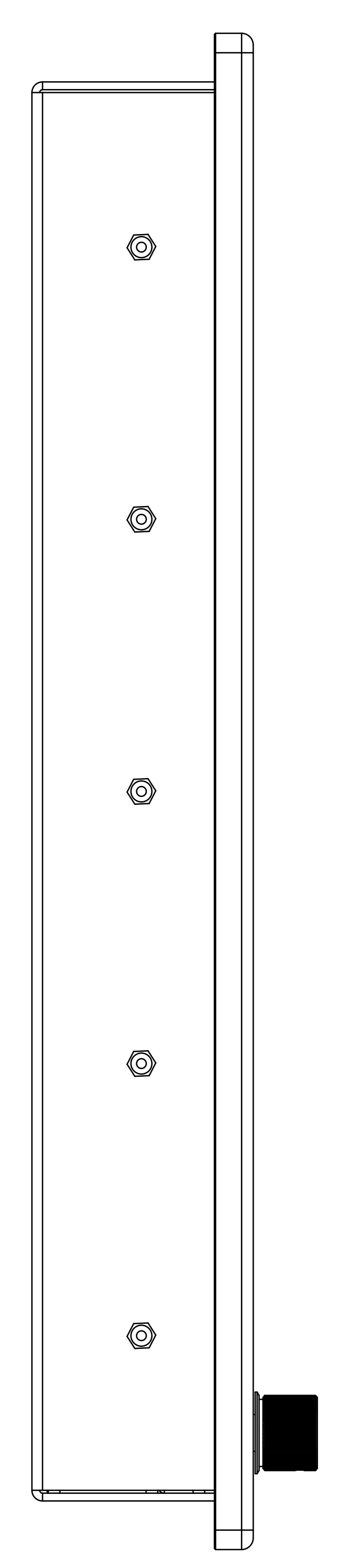
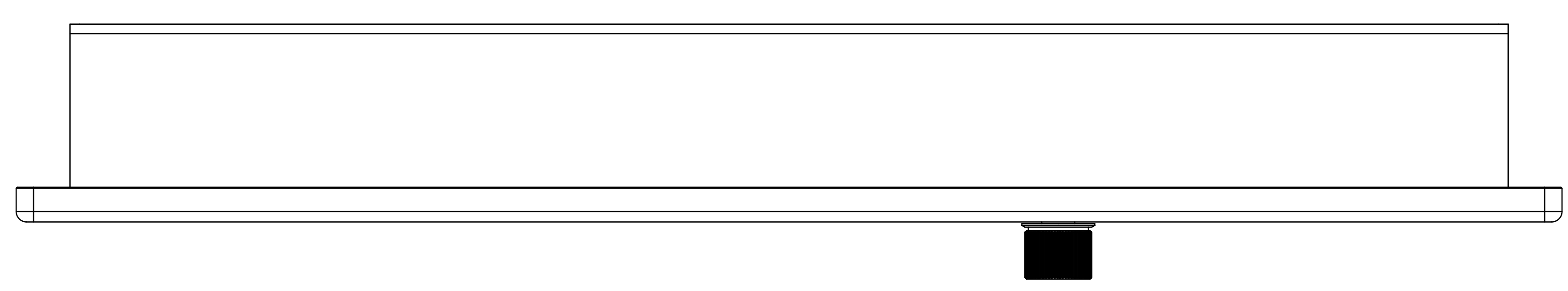
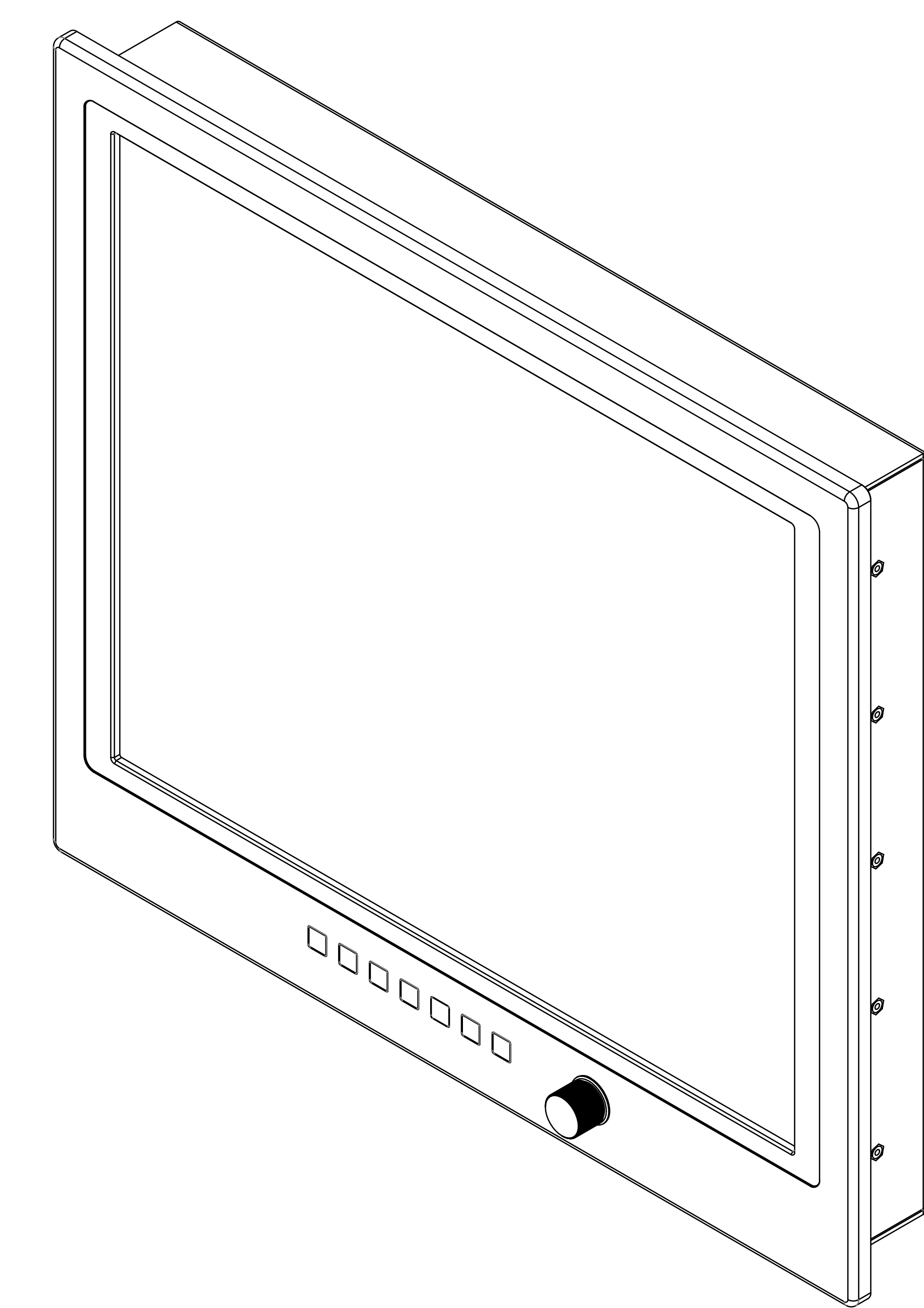
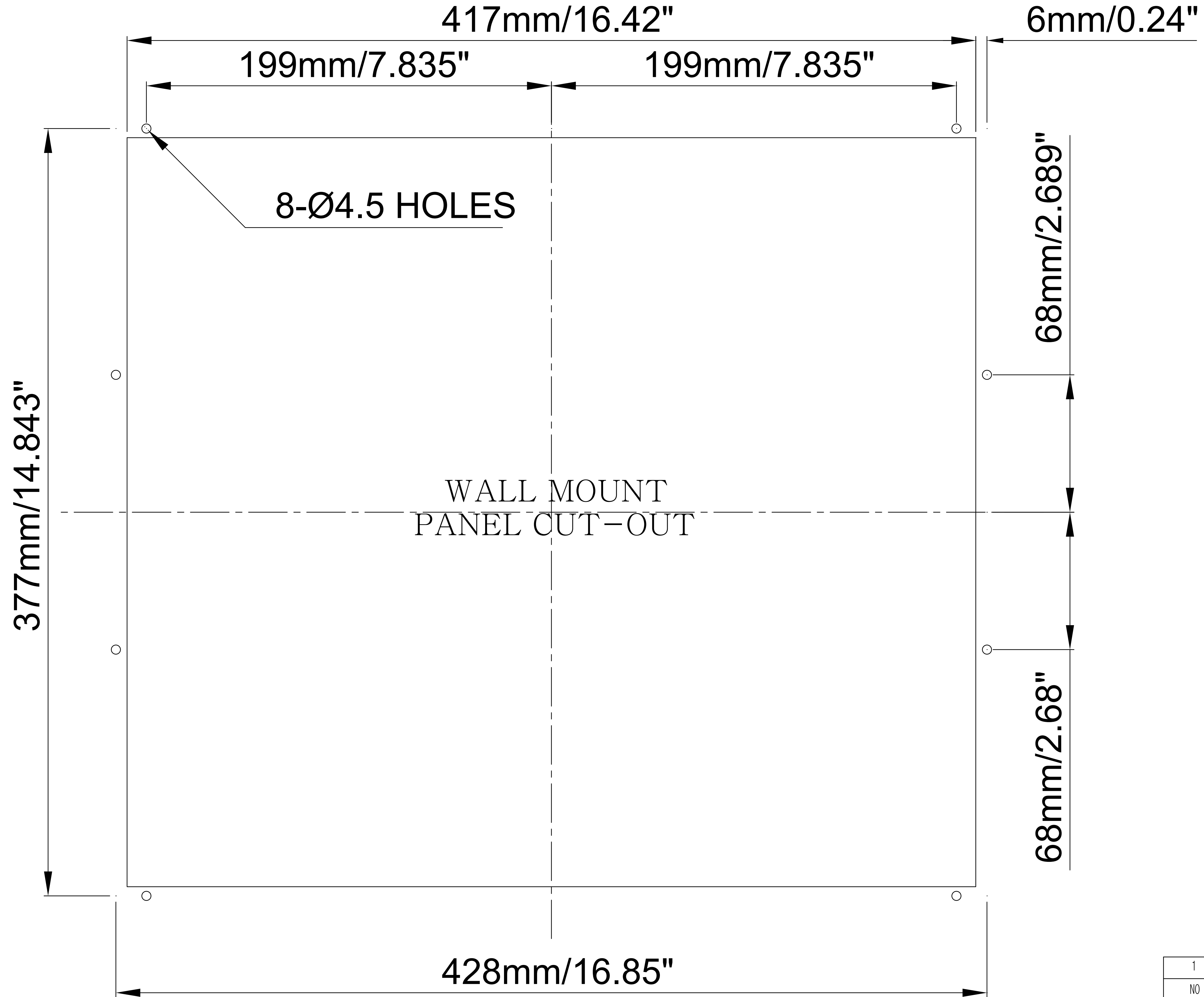


NO	REVISION	ALTERATION	DATE	APPL
△				



NO	MATERIAL	FINISH	Q'TY	REMARK
1	-	-	-	-
DRAWN BY	CHECKED BY	APPROVED BY	UNIT	PART NO
			mm	
			3rd	PART NAME
			SCALE	PROJECT
			1/1	DHWIM19S
				1/1

NO	REVISION	ALTERATION	DATE	APPL
△				



1	-	-	-	-
NO	MATERIAL	FINSH	Q'TY	REMARK
DRAWN BY	CHECKED BY	APPROVED BY	UNIT	PART NO
			mm	
			ANGLE	PART NAME
			3rd	
		SCALE	PROJECT	DIM19S
		1/1		1/1