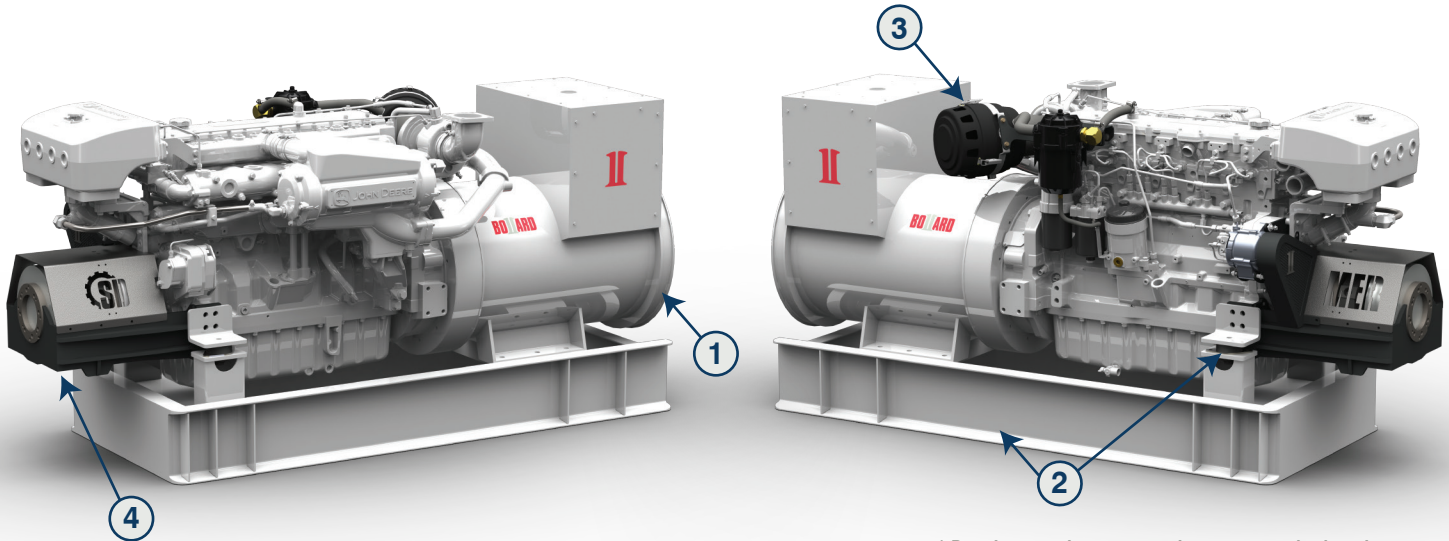


# BOLLARD™ MG260 Series

260kW Marine Generator Specifications

# II 260kW



\* Drawings or pictures may show non-standard equipment

## Features and Benefits

### Unsurpassed Quality & Reliability

- BOLLARD™ Generators are designed and built in the USA specifically for the rugged conditions of commercial use. The expected time between overhauls on the BOLLARD™ packaged generator set is 40 to 50 thousand hours.

### 1: High Efficiency Generators

- Heavy Duty windings engineered for 80°C rise of 40°C ambient yield extended insulation service life, high electrical efficiency for maximum fuel economy, and superior motor starting at all voltages. PMG dedicated excitation is standard, resulting in even higher motor starting together with 300% sustained short circuit capacity along with VFD and paralleling compatibility.

### Emissions

- The Bollard MG50 –MG 395 Gen-Sets are EPA certified Tier 3 Marine, CARB, EU, and MOC. They meet the lowest emissions levels available on the market today without exhaust after-treatment resulting in reduced maintenance and operating costs while preserving our clean air and water quality.

### Keel Cooling, Heat Exchange, or Radiator Compatibility

### Premium Marine Grade Protection

- Bollard generators feature Imron™ 2 part marine epoxy overcoats on the engine, generator, and baseframe. Accessory brackets are typically powder coated, and fasteners are primarily stainless steel to protect your investment from the harsh marine environment.

### 2: Heavy Duty Structural Steel Base Frame & Reduced Noise

- For ease of installation, added structural integrity, safety and durability. Superior vibration and noise dampening with a high mass flywheel, polyurethane vibration isolators, mass loaded & stiffened baseframe, and de-noised engine.

### 3: Heavy Duty Air Intake Filtration & Silencing

- For increased performance, extended engine life, and quiet operation

### Controls, Gauges, & Instrumentation

- Standard enclosed prewired J1939 digital control panel with key start/stop and run/idle switch. Safety shutdowns are programmed for high water temp, low oil pressure, and over-speed. Included are LED readout of all J1939 trouble codes and diagnostics. Custom panels offer, auto-start/stop function for inverter or paralleling interface, load sharing, digital generator output LEDs and full function electrical distribution switchboards.

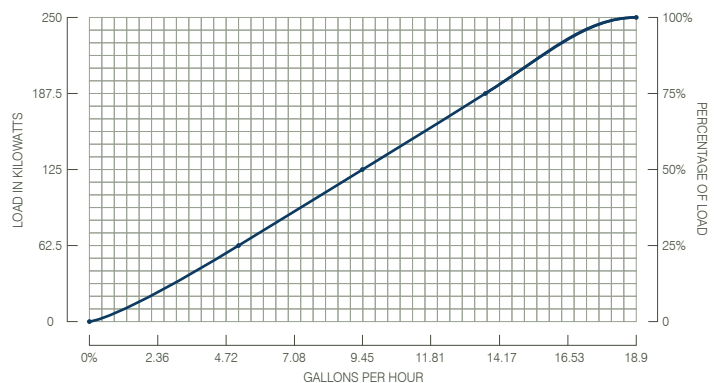
### 4: Optional SEADRIVE™ Front Power Take Off System

- Compact heavy duty housing, pre aligned, easy to install, service friendly, integrated torsional coupling, and available with or without a clutch.

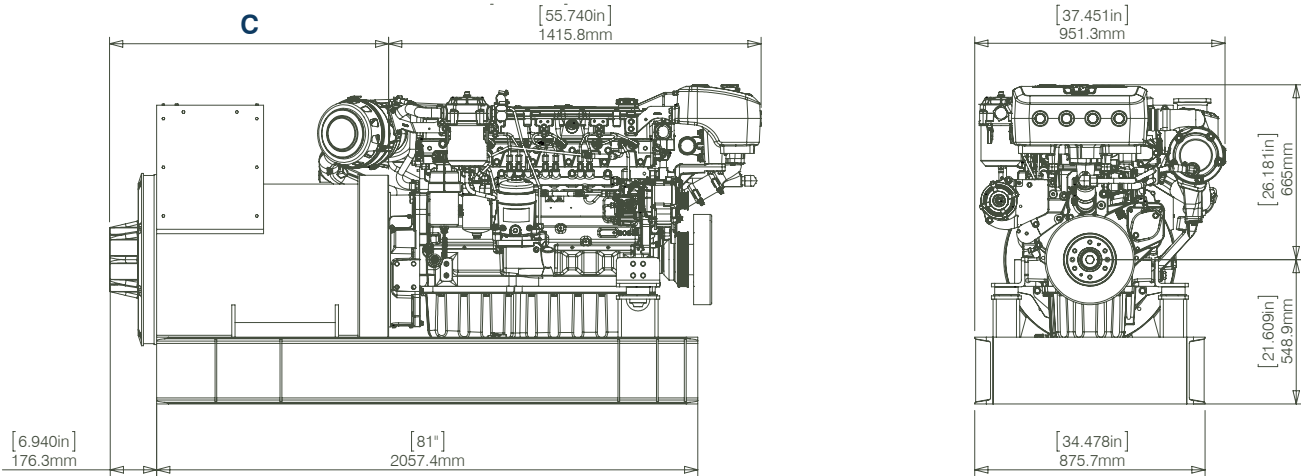
## General Specifications

Engine Model	6090SFM85
Engine Type	In-Line   6 Cylinder   Diesel
Displacement - L (cu.in)	9.0 (549.21)
Bore x Stroke - mm (in)	118 (4.65) x 136 (5.35)
Aspiration	Turbocharged - Seawater Aftercooled
Oil Sump Capacity - qts (L)	32.75 (31)
Emission Regulation	EPA Commercial Marine Tier 3
Prime - 60hz, 1800RPM (HP)	260kW (373)
Standby - 60Hz, 1800RPM (HP)	287kW (410)
Voltage Regulation	+/- .25%
Starter	24v   4.5 kW
Alternator	24v   75Amp
Max Operating Angle	12° (Constant)   30° (Intermittent)
Dry Weight - lbs	4973 (engine, 433 gen, skid)
Length x Width x Height - inches	(see back for details)

## Fuel Performance



## Dimensions



### Alternate Dimensions

Alternate Dimensions	C - Length - In	Total Weight
433-6216	42.39" (46.99" w/ PMG)	2235
HCI434E	46.14" (50.34" w/ PMG)	2257

\* Drawings or pictures may show non-standard equipment

\* Dimensions are subject to change without notice and or with the use of alternate generators and cooling systems.

\* Please confirm exact configuration if dimensions are critical.

Load Performance	25%	50%	75%	100%
Load in kW	65	130	195	260
Pounds Per Hour	36.21	66.74	98.69	134.19
Gallons Per Hour	5.1	9.4	13.9	18.9
kW Per Gallons Per Hour	12.745	13.830	14.029	13.757
Pounds Per Gallon	7.1	7.1	7.1	7.1
Continuous kWm Output	278	278	278	278
Horsepower At Load	93.25	186.50	279.75	373.00
Horsepower Continuous	373	373	373	373
Pounds Per Horsepower Per Hour	.236	.218	.215	.219

## Customizable Options and Accessories

Engine	Controls & Instrumentation	DC Electrical System	Exhaust	Additional Options
Single Circuit Keel Cooling Package	Control Panel	Battery: 12v   24v	SS Wet Exhaust Mixing Elbow	Sea Trial Start Up
Single Circuit Heat Exchange Package	Custom Harness Length	Battery Rack & Cables	Dry Exhaust Matching Flange	MER Site Start-Up w/ Load Bank
Single Circuit Marine Radiator Package	Auxiliary Start Panel	Battery Isolation Switch	SUPERFLEX™ Exhaust Bellows	Custom Frame / Skid
	Auto Start/Stop		Cowl & EM Exhaust Silencers	Dual Vibration Isolation Mounts
<b>Motor Starting Upgrade Options</b>	Pre-Alarm Senders	<b>Fuel-Lube Oil System</b>	Heat Recovery Silencer	Custom Sound Enclosure
<b>(Code G Motor @ 208VAC)</b>	AC Meter Panel	SCOR™ Oil Regeneration System		Galvanized or Powder Coated
Up to 1:1 HP per kW	Low Coolant Level Shutdown	Oil Drain Extension W/ Valve	<b>Power Take Off</b>	Skids & Accessories
	High Water Temp. Shutdown	Oil Drain Pump To Engine	SEADRIVE™ Clutched Front PTO	Racor Fuel Water Separator
<b>Air Intake &amp; Filtration</b>	Low Oil Pressure Shutdown	Move Dipstick To Opposite Side	Clutch: Air   Oil   Electric	
K&N Air Filters	Low Oil Level Gauge/Shutdown	High/Low Oil Level Shut Down	SEADRIVE™ Direct Drive Front PTO	
Donaldson Air Silencer	Overspeed Shutdown	Custom Oil Drain Hose Length	Aux. A/B 2 Sheave Universal Pulley	
Closed Crank Case Vent Loop	Paralleling & Load Share	Single Side Service	Aux. A/B 4 Sheave Universal Pulley	
	Over-Voltage Alarm	Lube Oil Drip Pan	Additional Belts	
	Over-Current Alarm			
	Under-Current Alarm			