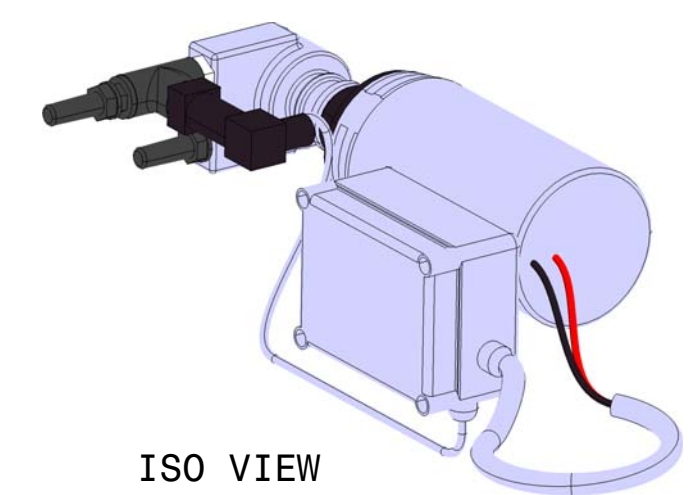
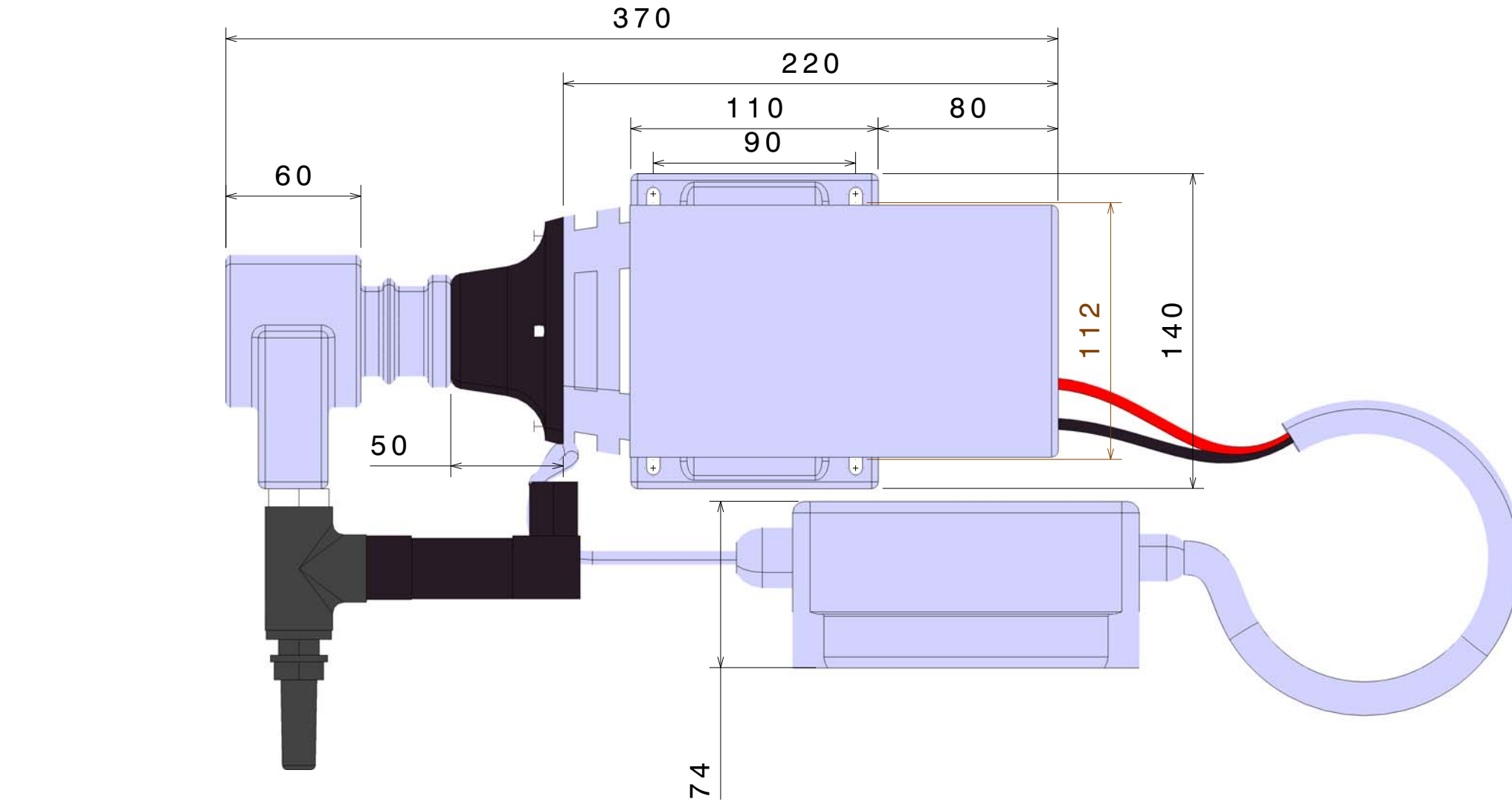
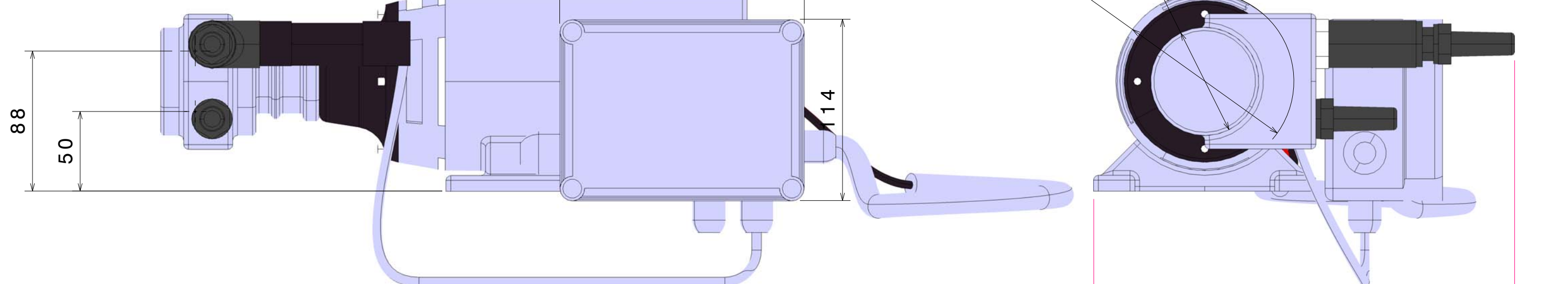


H G F E D C B A



SCHENKER ITALIA			
DRAWING TITLE			
POMPA 80/100/150 L/h			
SIZE	DRAWING NUMBER		REV
A3			X
SCALE	2:5	WEIGHT (kg)	SHEET 1/1

H G B A