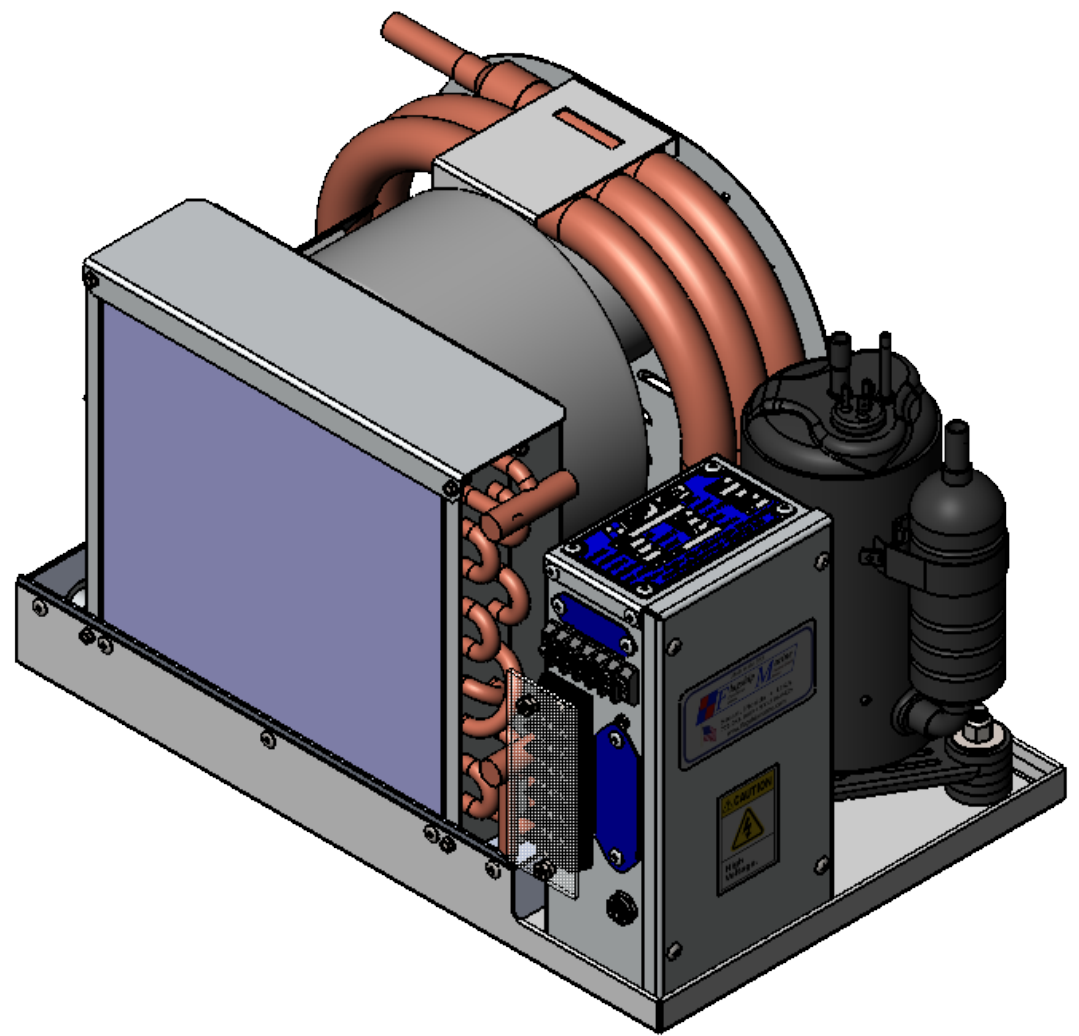


PART NUMBER	DESCRIPTION
20021-001	ASSEMBLY, AIR CONDITIONER FM9R, 120V SIDE
20021-011	ASSEMBLY, AIR CONDITIONER FM9R, 120V SIDE, WITH OPTIONAL HEAT
20021-101	ASSEMBLY, AIR CONDITIONER FM9R, 230V SIDE
20021-111	ASSEMBLY, AIR CONDITIONER FM9R, 230V SIDE, WITH OPTIONAL HEAT

FLAGSHIP MARINE, INC.				
REV.	ZONE	DESCRIPTION	DATE	ENG APPROVAL
J		LOCATION TABS ADDED FOR SHROUD, TAGS ADDED	7/11/2018	
K		REMOVED 60657-001	11/16/2018	
L		ADJUSTMENT TO SHROUD AND BASE	3/8/2019	



20021-011 SHOWN
SEE SHEET 3 OF 7 FOR DIMENSIONS

40	1	1	1	1	80900-001	WELDMENT, DRY DRAIN PAN, EVAPORATOR, AIR CONDITIONER, FM9R
39	-	-	1	1	80022-003	WELDMENT, BASE, AIR CONDITIONER, FM9R, SIDE
38	1	1	-	-	80022-001	WELDMENT, BASE, AIR CONDITIONER, FM9R, SIDE
37	1	1	1	1	70999-001	TAG, WATER IN, ANODIZED, ETCHED
36	1	1	1	1	70998-001	TAG, WATER OUT, ANODIZED, ETCHED
35	1	1	1	1	70901-001	FABRICATION, SHROUD, EVAPORATOR, AIR CONDITIONER, FM9R, SIDE
34	1	1	1	1	70090-001	DETAIL, PLATE, DECORATIVE CONDENSER COVER, FM9R
33	1	1	1	1	70088-001	FABRICATION, BRACKET, CONDENSER, AIR CONDITIONER, FM9R, SIDE
32	1	1	1	1	70087-001	FABRICATION, BRACKET, BLOWER, AIR CONDITIONER, FM9R
31	-	1	-	1	70086-001	FABRICATION, LID, ENCLOSURE, HEATER COIL, AIR CONDITIONER, FM9R - FM20R
30	-	1	-	1	70085-001	FABRICATION, ENCLOSURE, HEATER COIL, AIR CONDITIONER, FM9R - FM20R
29	A/R	A/R	A/R	A/R	61000-001	INSULATION, 1/8" FOAM PEEL AND STICK
28	A/R	A/R	A/R	A/R	60998-001	TAPE, CORK ROLL, 30"x2"
27	1	1	-	-	60784-001	COMPRESSOR, 6500 BTU, 115V, R410A, 45/370 RUN CAP, B260-160-241E OVERLOAD, GA066CAA
26	-	-	1	1	60775-001	COMPRESSOR, 9K UNITS, GA066KAA, 6400 BTU, 230v, R410a, 20/370 RUN CAP, OVERLOAD B120-160-241E
25	4	4	4	4	60656-001	BOLT, M6 X 1.0 X 12, HEX HEAD, SS
24	3	3	3	3	60539-001	NUT, 3/8-16 NYLON LOCK NUT 18-8 SS
23	4	4	2	2	60534-001	WASHER, 3/8" X 1.25", FLAT
22	22	22	22	22	60533-001	RIVET, 3/16" DIA. .062-.125" GRIP RANGE, SSB6-2S
21	16	19	16	19	60527-001	SELF TAP, #8 X 1/2 HWH SELF DRILL 410 SS
20	-	4	-	2	60517-001	SCREW, #8-32 X 3/8" PAN HEAD MACHINE SCREW, #2 DRIVE PHILLIPS, 18-8 SS
19	A/R	A/R	A/R	A/R	60329-002	REFRIGERANT, R410a
18	1	1	1	1	60210-001	EVAPORATOR, 9000 MBTU, 10HX10.13W, 2 ROW
17	1	1	1	1	60148-001	SWITCH, HIGH PRESSURE, SPST, OPEN ON PRESSURE RISE, OPEN (600 PSI) CLOSE (475 PSI)
16	-	1	-	1	60131-001	GROMMET, 11/16" PUSH-IN LOCKING, NYLON
15	1	1	1	1	60079-001	DRIER, FILTER, 5/16" SOLDER, 1 TON, SUD116
14	15	15	15	15	60070-001	WASHER, .385 ID X 1.406 OD X .25 THK, 60 DURO EPDM BLACK
13	-	1	-	1	60062-001	SWITCH, THERMAL LIMIT, 130 DEG. F, NC
12	-	-	-	1	60031-002	HEATER ELEMENT, COIL, 45"L, 8MM, 1700W, 240VAC, DBL END THRD BULKHEAD
11	-	1	-	-	60031-001	HEATER ELEMENT, COIL, 45"L, 8MM, 1700W, 120VAC, DBL END THRD BULKHEAD
10	-	-	1	1	60019-001	BLOWER, PSC, SHADED POLE, 1TDR4, 230V
9	1	1	-	-	60018-001	BLOWER, PSC, SHADED POLE, 1TDR3, 115V
8	3	3	3	3	40102-001	VALVE, 1/4" STANDARD SERVICE, CAP W/RUBBER O-RING
7	1	1	1	1	40096-001	VALVE, EXPANSION, BALANCED PORT, 3/8" ODF IN X 1/2" ODF OUT, 2-5 1/2 TON, SBQBODY3X4
6	1	1	1	1	40086-001	VALVE, EXPANSION, HEAD, UP TO 5 TON, R410A, KT45ZGA
5	1	1	1	1	40077-001	ORIFICE CARTIDGE, BALANCE PORT, YELLOW, 1/2-3/4 TON (R410a), BQC-AA
4	A/R	A/R	A/R	A/R	30230-001	LOOM, SPLIT-TYPE, BLUE TRACER, 1/2", 1100', M125-0120-A
3	1	1	1	1	20515-001	ASSEMBLY, THERMOSTAT, SELF-CONTAINED, A/C, 9K-36K UNIVERSAL
2	1	1	1	1	20232-001	CONDENSER, LIQUID COOLED, FM9R SIDE
1	1	1	1	1	20145-001	ASSEMBLY, CONTROL ENCLOSURE, SELF-CONTAINED 9K-36K, INSTALLED ON-BOARD, 115v/230v

ITEM NO.	001 QTY	011 QTY	101 QTY	111 QTY	PART NUMBER	DESCRIPTION
----------	---------	---------	---------	---------	-------------	-------------

FLAGSHIP MARINE, INC. BILL OF MATERIALS

Flagship Marine
 FLAGSHIP MARINE, INC.
 2427 SE DIXIE HIGHWAY
 STUART | FLORIDA | 34996 | USA
 (772) 283-1609 | (800) 316-6426
 FAX (772) 283-4611

PROPRIETARY AND CONFIDENTIAL
 THIS DOCUMENT CONTAINS INFORMATION PROPRIETARY TO FLAGSHIP MARINE, INC. NO PART MAY BE REPRODUCED, USED IN ANY FORM, OR STORED ELECTRONICALLY WITHOUT THE WRITTEN PERMISSION OF FLAGSHIP MARINE, INC.

UNLESS OTHERWISE SPECIFIED:	NAME	DATE
DIMENSIONS ARE IN INCHES	DRAWN	8/2/2010
TOLERANCES:	CHECKED	TCM
FRACTIONS ± 1/32	ENG APPR.	TCM
ANG: MACH ± 0°30' BEND ± 2°	MFG APPR.	TCM
DECIMALS .XX ± .01	Q.A.	EAS
.XXX ± .005		
HOLE Ø .XX ± .005		
INTERPRET GEOMETRIC TOLERANCING PER: ASME Y14.5M		
MATERIAL	PERP	.003/IN
	STRAIGHTNESS	.005/IN
	FLATNESS	.005/IN
FINISH	THREADS:	
	EXTERNAL - CLASS 2A	
	INTERNAL - CLASS 2B	
	MACHINED SURFACES: ✓ U.O.S	

TITLE: ASSEMBLY, AIR CONDITIONER FM9R, SIDE

PART NO. 20021-XX1

SIZE DWG. NO. REV
B FM20021 **L**

OLD PART NO. -

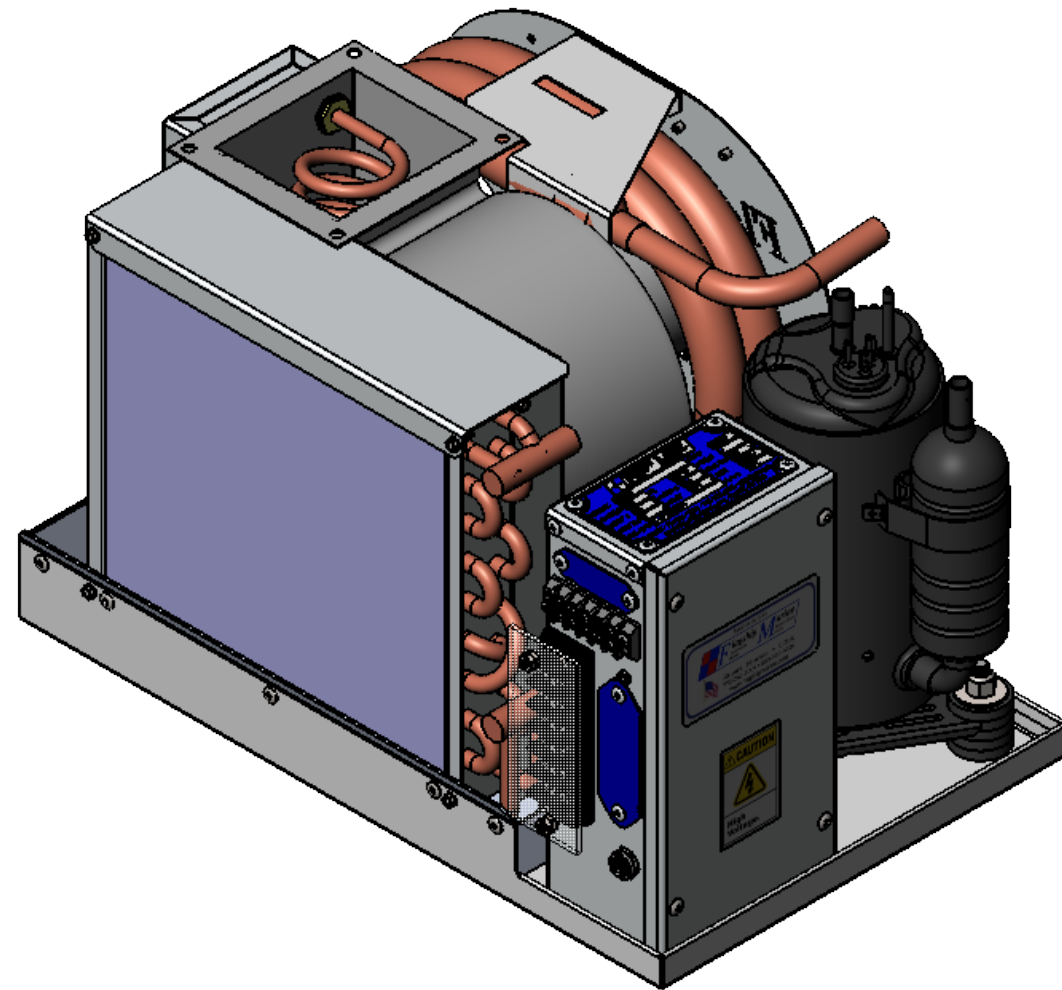
SCALE: 1:4 WGT: 48.76 LBS SHEET 1 OF 7

2. PREFERRED LIMITS AND FITS PER ANSI B4.1 (INCHES).

1. DIMENSIONING & TOLERANCING PER ASME Y14.5M.

NOTES:

PART NUMBER	DESCRIPTION
20021-002	ASSEMBLY, AIR CONDITIONER FM9R, 120V TOP
20021-012	ASSEMBLY, AIR CONDITIONER FM9R, 120V TOP, WITH OPTIONAL HEAT
20021-102	ASSEMBLY, AIR CONDITIONER FM9R, 230V TOP
20021-112	ASSEMBLY, AIR CONDITIONER FM9R, 230V TOP, WITH OPTIONAL HEAT



20021-012 SHOWN
SEE SHEET 4 OF 7 FOR DIMENSIONS

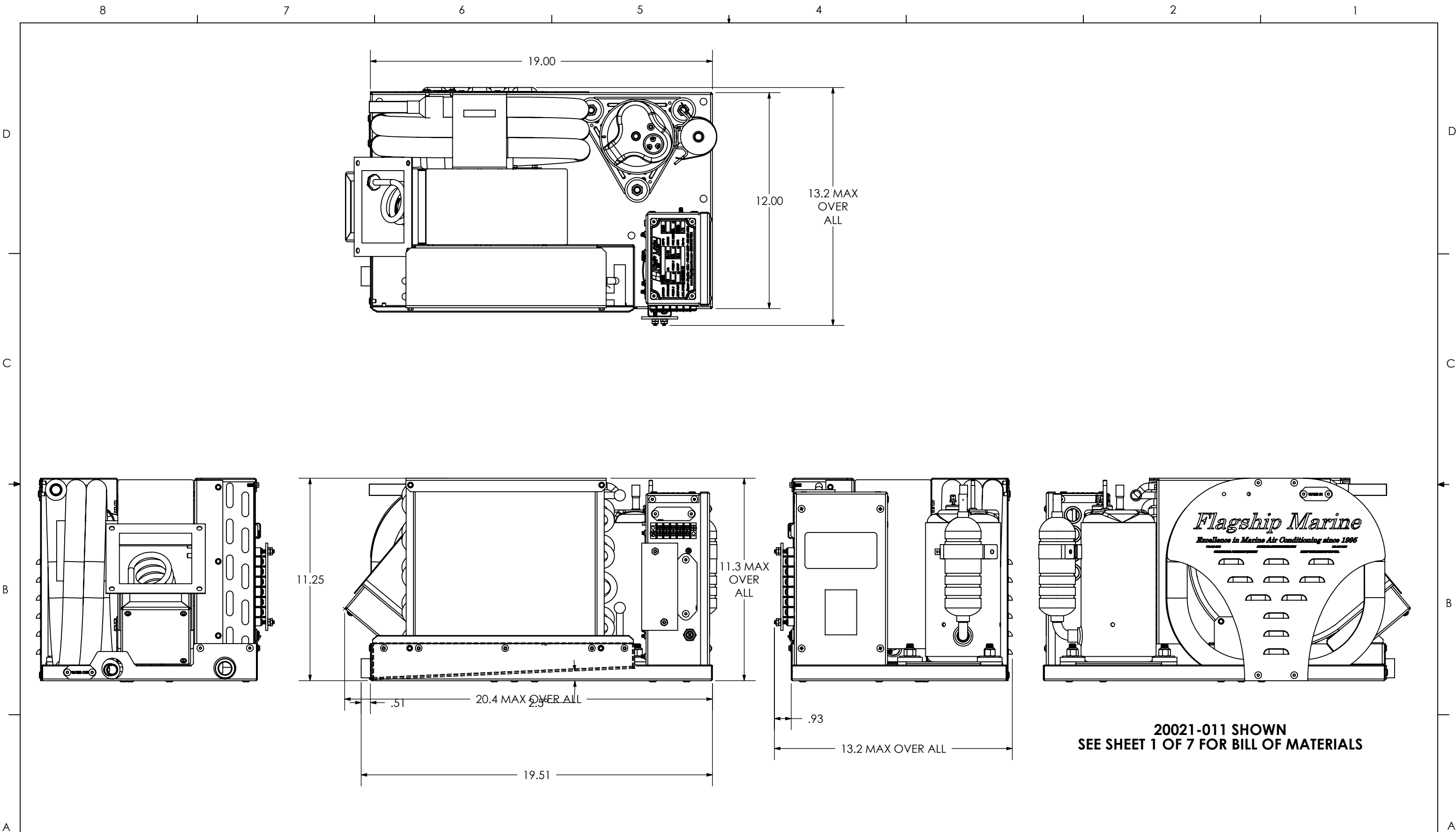
41	1	1	1	1	80900-002	WELDMENT, DRY DRAIN PAN, EVAPORATOR, AIR CONDITIONER, FM9R
40	-	-	1	1	80022-004	WELDMENT, BASE, AIR CONDITIONER, FM9R, TOP
39	1	1	-	-	80022-002	WELDMENT, BASE, AIR CONDITIONER, FM9R, TOP
38	1	1	1	1	70999-001	TAG, WATER IN, ANODIZED, ETCHED
37	1	1	1	1	70998-001	TAG, WATER OUT, ANODIZED, ETCHED
36	1	1	1	1	70901-002	FABRICATION, SHROUD, EVAPORATOR, AIR CONDITIONER, FM9R, TOP
35	1	1	1	1	70090-001	DETAIL, PLATE, DECORATIVE CONDENSER COVER, FM9R
34	1	1	1	1	70089-001	FABRICATION, BRACKET, CONDENSER, AIR CONDITIONER, FM9R, TOP
33	1	1	1	1	70087-001	FABRICATION, BRACKET, BLOWER, AIR CONDITIONER, FM9R
32	-	1	-	1	70086-001	FABRICATION, LID, ENCLOSURE, HEATER COIL, AIR CONDITIONER, FM9R - FM20R
31	-	1	-	1	70085-001	FABRICATION, ENCLOSURE, HEATER COIL, AIR CONDITIONER, FM9R - FM20R
30	A/R	A/R	A/R	A/R	61000-001	INSULATION, 1/8" FOAM PEEL AND STICK
29	A/R	A/R	A/R	A/R	60998-001	TAPE, CORK ROLL, 30"x2"
28	1	1	-	-	60784-001	COMPRESSOR, 6500 BTU, 115V, R410A, 45/370 RUN CAP, B260-160-241E OVERLOAD, GA066CAA
27	-	-	1	1	60775-001	COMPRESSOR, 9K UNITS, GA066KAA, 6400 BTU, 230v, R410a, 20/370 RUN CAP, OVERLOAD B120-160-241E
26	4	4	4	4	60656-001	BOLT, M6 X 1.0 X 12, HEX HEAD, SS
25	3	3	3	3	60539-001	NUT, 3/8-16 NYLON LOCK NUT 18-8 SS
24	4	4	2	2	60534-001	WASHER, 3/8" X 1.25", FLAT
23	22	22	22	22	60533-001	RIVET, 3/16" DIA. .062-.125" GRIP RANGE, SSB6-2S
22	16	19	16	19	60527-001	SELF TAP, #8 X 1/2 HWH SELF DRILL 410 SS
21	-	4	-	4	60517-001	SCREW, #8-32 X 3/8" PAN HEAD MACHINE SCREW, #2 DRIVE PHILLIPS, 18-8 SS
20	A/R	A/R	A/R	A/R	60329-002	REFRIGERANT, R410a
19	1	1	1	1	60210-001	EVAPORATOR, 9000 MBTU, 10HX10.13W, 2 ROW
18	1	1	1	1	60148-001	SWITCH, HIGH PRESSURE, SPST, OPEN ON PRESSURE RISE, OPEN (600 PSI) CLOSE (475 PSI)
17	-	1	-	1	60131-001	GROMMET, 11/16" PUSH-IN LOCKING, NYLON
16	1	1	1	1	60079-001	DRIER, FILTER, 5/16" SOLDER, 1 TON, SUD116
15	15	15	15	15	60070-001	WASHER, .385 ID X 1.406 OD X .25 THK, 60 DURO EPDM BLACK
14	-	1	-	1	60062-001	SWITCH, THERMAL LIMIT, 130 DEG. F, NC
13	-	-	-	1	60031-002	HEATER ELEMENT, COIL, 45"L, 8MM, 1700W, 240VAC, DBL END THRD BULKHEAD
12	-	1	-	-	60031-001	HEATER ELEMENT, COIL, 45"L, 8MM, 1700W, 120VAC, DBL END THRD BULKHEAD
11	-	-	1	1	60019-001	BLOWER, PSC, SHADED POLE, 1TDR4, 230V
10	1	1	-	-	60018-001	BLOWER, PSC, SHADED POLE, 1TDR3, 115V
9	1	1	1	1	40286-001	ADAPTOR, WATER OUT, FM9R, TOP DISCHARGE, COPPER NICKLE
8	3	3	3	3	40102-001	VALVE, 1/4" STANDARD SERVICE, CAP W/RUBBER O-RING
7	1	1	1	1	40096-001	VALVE, EXPANSION, BALANCED PORT, 3/8" ODF IN X 1/2" ODF OUT, 2-5 1/2 TON, SBQBODY3X4
6	1	1	1	1	40086-001	VALVE, EXPANSION, HEAD, UP TO 5 TON, R410A, KT45ZGA
5	1	1	1	1	40077-001	ORIFICE CARTIDGE, BALANCE PORT, YELLOW, 1/2-3/4 TON (R410a), BQC-AA
4	A/R	A/R	A/R	A/R	30230-001	LOOM, SPLIT-TYPE, BLUE TRACER, 1/2", 1100', M125-0120-A
3	1	1	1	1	20515-001	ASSEMBLY, THERMOSTAT, SELF-CONTAINED, A/C, 9K-36K UNIVERSAL
2	1	1	1	1	20234-001	CONDENSER, LIQUID COOLED, FM9R TOP
1	1	1	1	1	20145-001	ASSEMBLY, CONTROL ENCLOSURE, SELF-CONTAINED 9K-36K, INSTALLED ON-BOARD, 115v/230v

ITEM NO.	QTY	002	012	102	112	PART NUMBER	DESCRIPTION
-	-	-	-	-	-	-	UNLESS OTHERWISE SPECIFIED: DIMENSIONS ARE IN INCHES TOLERANCES: FRACTIONS ± 1/32 ANG: MACH ± 0°30' BEND ± 2° DECIMALS .XX ± .01 .XXX ± .005 HOLE Ø .XX ± .005
-	-	-	-	-	-	-	INTERPRET GEOMETRIC TOLERANCING PER: ASME Y14.5M
-	-	-	-	-	-	-	MATERIAL
-	-	-	-	-	-	-	FINISH
-	-	-	-	-	-	-	PERP STRAIGHTNESS .003/IN FLATNESS .005/IN THREADS: EXTERNAL - CLASS 2A INTERNAL - CLASS 2B MACHINED SURFACES: √ U.O.S
-	-	-	-	-	-	-	NAME DATE TITLE: DRAWN SWC 8/2/2010 ASSEMBLY, AIR CONDITIONER FM9R, TOP CHECKED TCM - ENG APPR. TCM - MFG APPR. TCM - Q.A. EAS -
-	-	-	-	-	-	-	PART NO. 20021-XX2
-	-	-	-	-	-	-	SIZE DWG. NO. REV B FM20021 L
-	-	-	-	-	-	-	OLD PART NO. -
-	-	-	-	-	-	-	SCALE: 1:4 WGT: 50.77 LBS SHEET 2 OF 7
-	-	-	-	-	-	-	APPLICATION DO NOT SCALE DRAWING


Flagship Marine
 FLAGSHIP MARINE, INC.
 2427 SE DIXIE HIGHWAY
 STUART | FLORIDA | 34996 | USA
 (772) 283-1609 | (800) 316-6426
 FAX (772) 283-4611

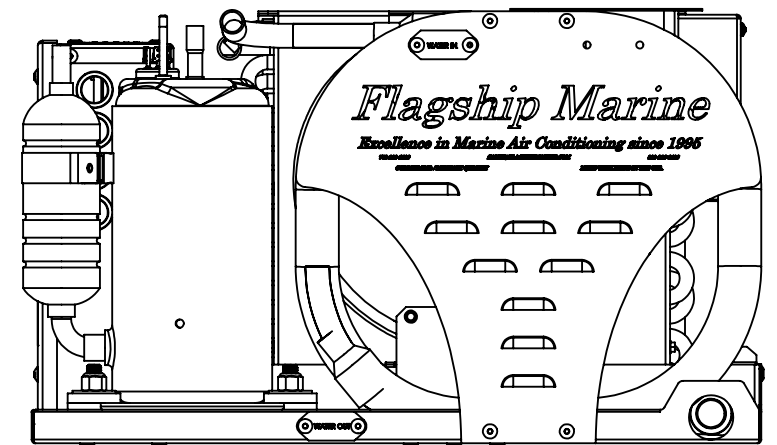
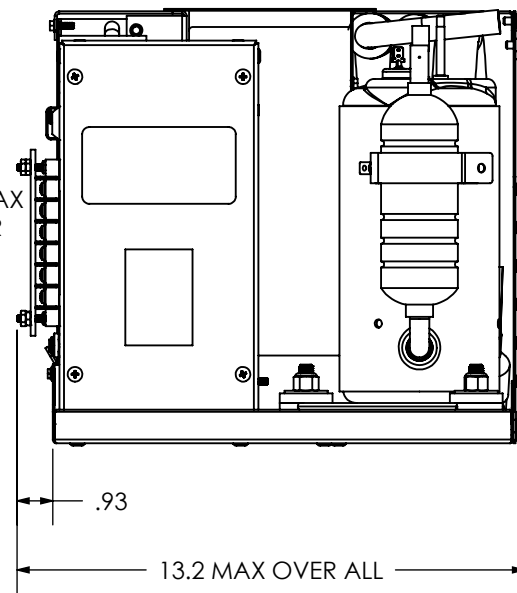
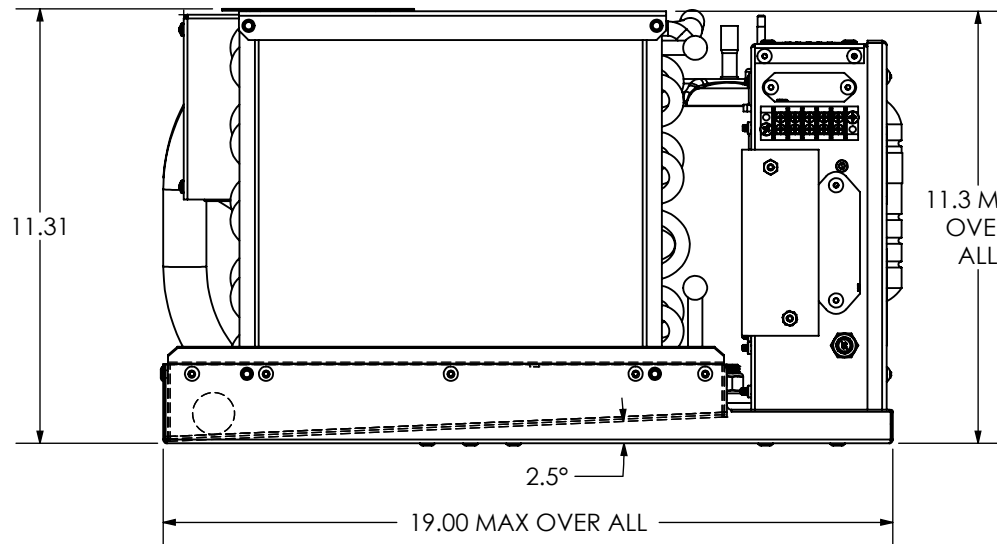
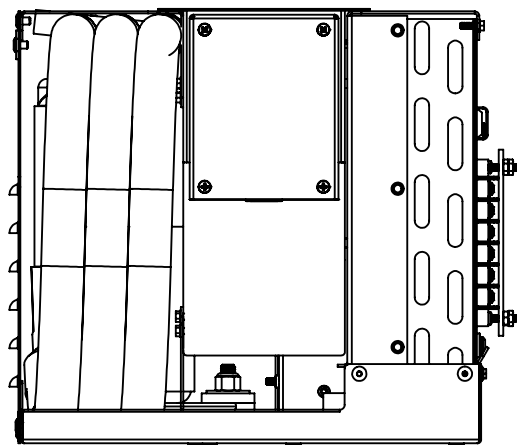
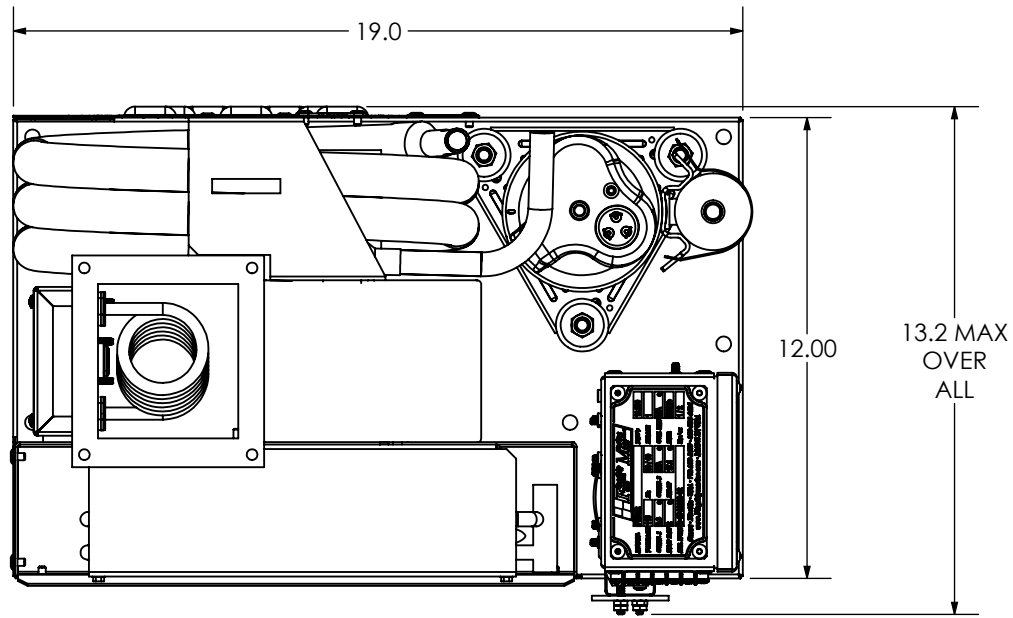
PROPRIETARY AND CONFIDENTIAL
 THIS DOCUMENT CONTAINS INFORMATION PROPRIETARY TO FLAGSHIP MARINE, INC. NO PART MAY BE REPRODUCED, USED IN ANY FORM, OR STORED ELECTRONICALLY WITHOUT THE WRITTEN PERMISSION OF FLAGSHIP MARINE, INC.

2. PREFERRED LIMITS AND FITS PER ANSI B4.1 (INCHES).
 1. DIMENSIONING & TOLERANCING PER ASME Y14.5M.
 NOTES:



20021-011 SHOWN
SEE SHEET 1 OF 7 FOR BILL OF MATERIALS

 2427 SE DIXIE HIGHWAY STUART FLORIDA 34996 USA (772) 283-1609 (800) 316-6426 FAX (772) 283-4611	DRAWN	SWC	SIZE	DRAWING NO.	REV
	CHECKED	-	B	FM20021	L
ENG APPR.	-	WGT: 50.30 LBS	SCALE: 1:5	SHEET 3 OF 7	



**2021-012 SHOWN
SEE SHEET 2 OF 7 FOR BILL OF MATERIALS**

Flagship Marine
Quality Design. Proven Durability. Proven Performance.

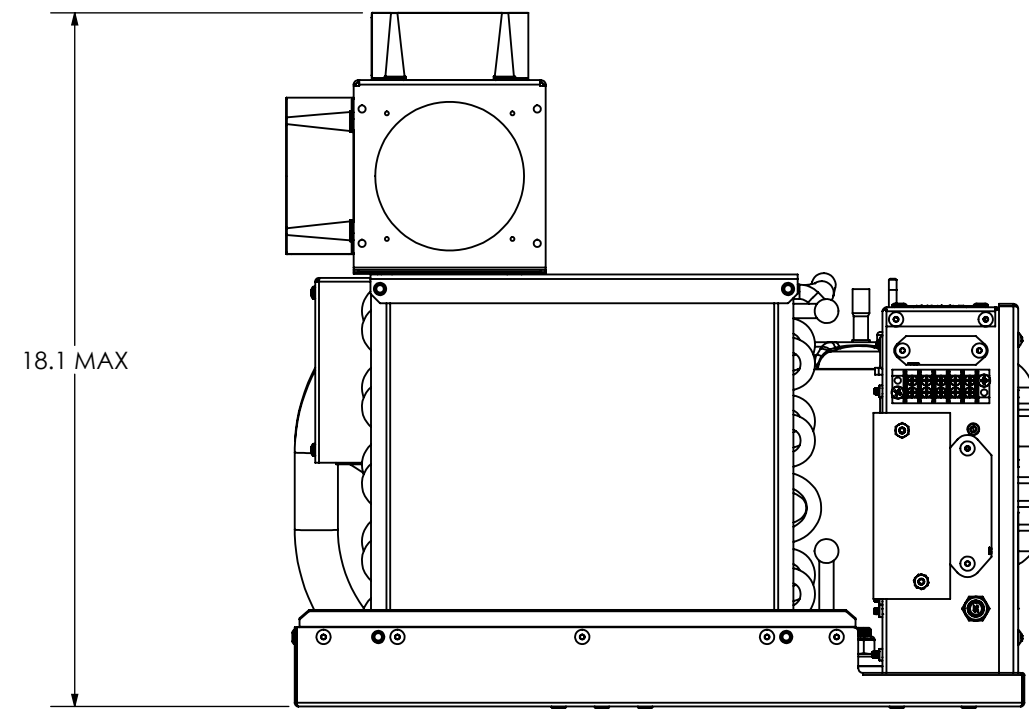
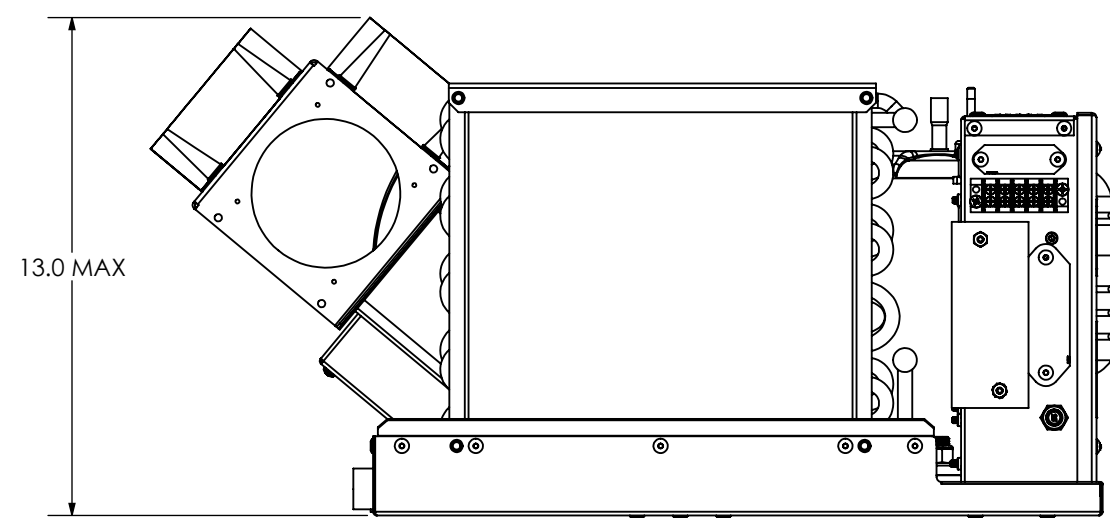
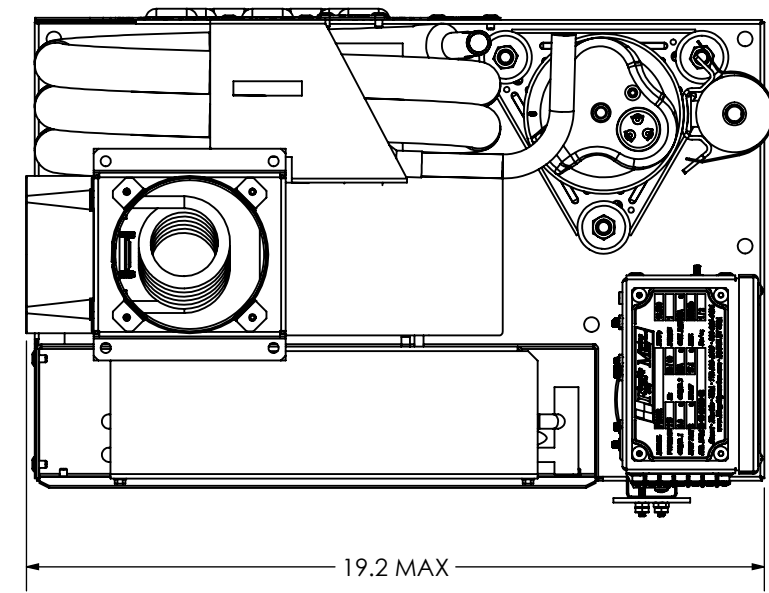
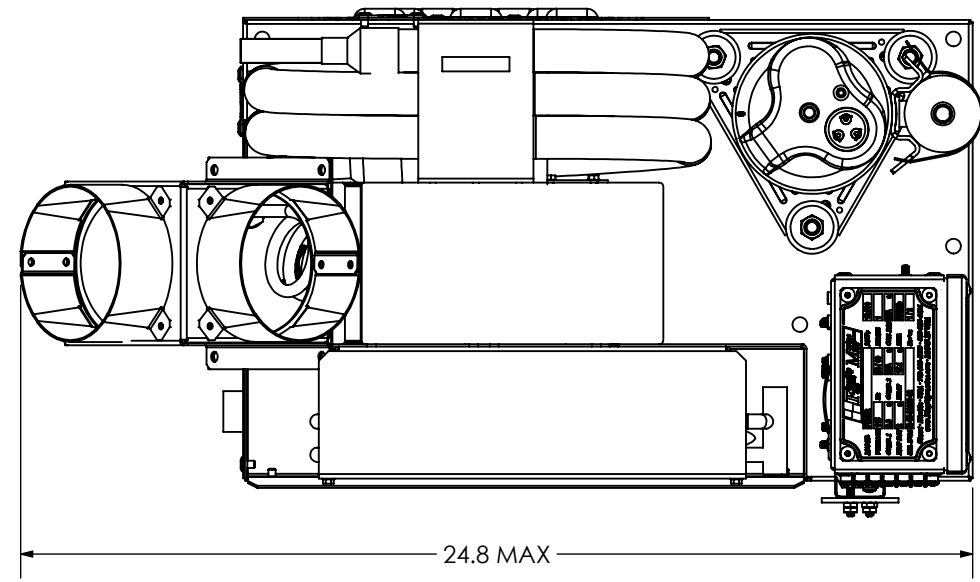
2427 SE DIXIE HIGHWAY | STUART | FLORIDA | 34996 | USA
(772) 283-1609 | (800) 316-6426 FAX (772) 283-4611

DRAWN	SWC	SIZE	DRAWING NO.	REV
CHECKED	-	B	FM20021	L
ENG APPR.	-	WGT: 50.77 LBS	SCALE: 1:5	SHEET 4 OF 7

8 7 6 5 4 3 2 1

D
C
B
A

D
C
B
A



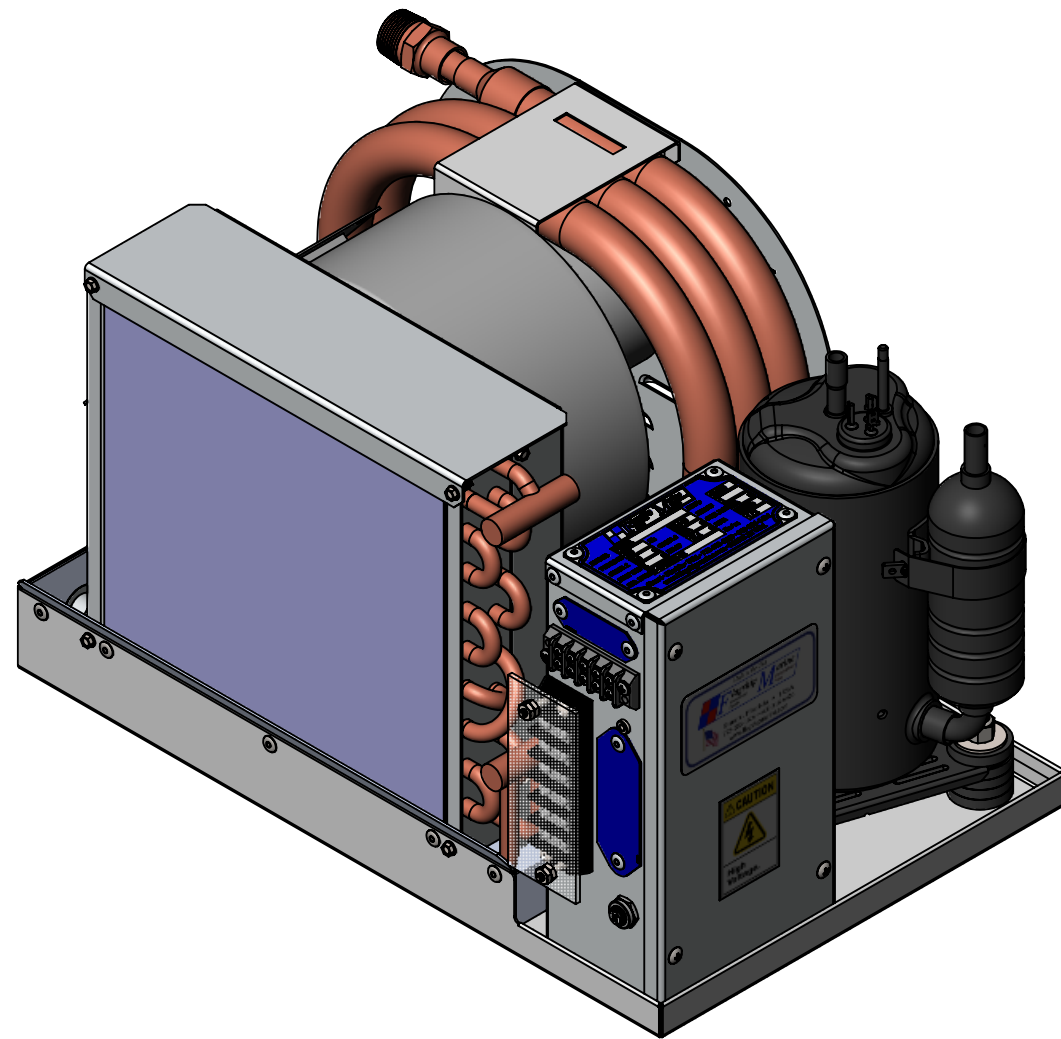
20021-011
 SHOWN WITH OPTIONAL PLENUM & DISCHARGE RINGS
 FOR DIMENSIONAL REFERENCE ONLY

20021-012
 SHOWN WITH OPTIONAL PLENUM & DISCHARGE RINGS
 FOR DIMENSIONAL REFERENCE ONLY

2427 SE DIXIE HIGHWAY | STUART | FLORIDA | 34996 | USA
 (772) 283-1609 | (800) 316-6426 FAX (772) 283-4611

DRAWN	SWC	SIZE	DRAWING NO.	REV
CHECKED	-	B	FM20021	L
ENG APPR.	-	WGT: 50.68 LBS	SCALE: 1:5	SHEET 5 OF 7

8 7 6 5 4 3 2 1



ONTARIO WATERWAY CRUISES

37	1	80900-001	WELDMENT, DRY DRAIN PAN, EVAPORATOR, AIR CONDITIONER, FM9R
36	1	80022-003	WELDMENT, BASE, AIR CONDITIONER, FM9R, SIDE
35	1	70999-001	TAG, WATER IN, ANODIZED, ETCHED
34	1	70998-001	TAG, WATER OUT, ANODIZED, ETCHED
33	1	70901-001	FABRICATION, SHROUD, EVAPORATOR, AIR CONDITIONER, FM9R, SIDE
32	1	70090-001	DETAIL, PLATE, DECORATIVE CONDENSER COVER, FM9R
31	1	70088-001	FABRICATION, BRACKET, CONDENSER, AIR CONDITIONER, FM9R, SIDE
30	1	70087-001	FABRICATION, BRACKET, BLOWER, AIR CONDITIONER, FM9R
29	1	70086-001	FABRICATION, LID, ENCLOSURE, HEATER COIL, AIR CONDITIONER, FM9R - FM20R
28	1	70085-001	FABRICATION, ENCLOSURE, HEATER COIL, AIR CONDITIONER, FM9R - FM20R
27	A/R	61000-001	INSULATION, 1/8" FOAM PEEL AND STICK
26	A/R	60998-001	TAPE, CORK ROLL, 30"x2"
25	1	60775-001	COMPRESSOR, 9K UNITS, GA066KAA, 6400 BTU, 230v, R410a, 20/370 RUN CAP, OVERLOAD B120-160-241E
24	4	60656-001	BOLT, M6 X 1.0 X 12, HEX HEAD, SS
23	3	60539-001	NUT, 3/8-16 NYLON LOCK NUT 18-8 SS
22	3	60534-001	WASHER, 3/8" X 1.25" , FLAT
21	22	60533-001	RIVET, 3/16" DIA. .062-.125" GRIP RANGE, SSB6-2S
20	19	60527-001	SELF TAP, #8 X 1/2 HWH SELF DRILL 410 SS
19	4	60517-001	SCREW, #8-32 X 3/8" PAN HEAD MACHINE SCREW, #2 DRIVE PHILLIPS, 18-8 SS
18	A/R	60329-002	REFRIGERANT, R410a
17	1	60210-001	EVAPORATOR, 9000 MBTU, 10HX10.13W, 2 ROW
16	1	60148-001	SWITCH, HIGH PRESSURE, SPST, OPEN ON PRESSURE RISE, OPEN (600 PSI) CLOSE (475 PSI)
15	1	60131-001	GROMMET, 1 1/16" PUSH-IN LOCKING, NYLON
14	1	60079-001	DRIER, FILTER, 5/16" SOLDER, 1 TON, SUD116
13	15	60070-001	WASHER, .385 ID X 1.406 OD X .25 THK, 60 DURO EPDM BLACK
12	1	60062-001	SWITCH, THERMAL LIMIT, 130 DEG. F, NC
11	1	60031-002	HEATER ELEMENT, COIL, 45"L, 8MM, 1700W, 240VAC, DBL END THRD BULKHEAD
10	1	60019-001	BLOWER, PSC, SHADED POLE, 1TDR4, 230V
9	2	40142-001	FITTING, 1/2"x3/4" MNPT, COPPER, 30316, 104R
8	3	40102-001	VALVE, 1/4" STANDARD SERVICE, CAP W/RUBBER O-RING
7	1	40096-001	VALVE, EXPANSION, BALANCED PORT, 3/8" ODF IN X 1/2" ODF OUT, 2-5 1/2 TON, SBQBODY3X4
6	1	40086-001	VALVE, EXPANSION, HEAD, UP TO 5 TON, R410A, KT45ZGA
5	1	40077-001	ORIFICE CARTIDGE, BALANCE PORT, YELLOW, 1/2-3/4 TON (R410a), BQC-AA
4	A/R	30230-001	LOOM, SPLIT-TYPE, BLUE TRACER, 1/2", 1100', M125-0120-A
3	1	20515-001	ASSEMBLY, THERMOSTAT, SELF-CONTAINED, A/C, 9K-36K UNIVERSAL
2	1	20232-001	CONDENSER, LIQUID COOLED, FM9R SIDE
1	1	20145-001	ASSEMBLY, CONTROL ENCLOSURE, SELF-CONTAINED 9K-36K, INSTALLED ON-BOARD, 115v/230v

ITEM NO.	QTY	PART NUMBER	DESCRIPTION
----------	-----	-------------	-------------

FLAGSHIP MARINE, INC. BILL OF MATERIALS

Flagship Marine
 FLAGSHIP MARINE, INC.
 2427 SE DIXIE HIGHWAY
 STUART | FLORIDA | 34996 | USA
 (772) 283-1609 | (800) 316-6426
 FAX (772) 283-4611

PROPRIETARY AND CONFIDENTIAL
 THIS DOCUMENT CONTAINS INFORMATION PROPRIETARY TO FLAGSHIP MARINE, INC. NO PART MAY BE REPRODUCED, USED IN ANY FORM, OR STORED ELECTRONICALLY WITHOUT THE WRITTEN PERMISSION OF FLAGSHIP MARINE, INC.

-	-	UNLESS OTHERWISE SPECIFIED:		NAME	DATE
-	-	DIMENSIONS ARE IN INCHES	DRAWN	TJW	8/2/2010
-	-	TOLERANCES:	CHECKED	TCM	-
-	-	FRACTIONS ± 1/32	ENG APPR.	TCM	-
-	-	ANG: MACH ± 0°30' BEND ± 2°	MFG APPR.	TCM	-
-	-	DECIMALS .XX ± .01	Q.A.	EAS	-
-	-	.XXX ± .005			
-	-	HOLE Ø .XX ± .005			
-	-	INTERPRET GEOMETRIC TOLERANCING PER: ASME Y14.5M			
-	-	MATERIAL	PERP	∓	.003/IN
-	-		STRAIGHTNESS	∓	.005/IN
-	-		FLATNESS	∓	.005/IN
-	-		THREADS:		
-	-		EXTERNAL - CLASS 2A		
-	-		INTERNAL - CLASS 2B		
-	-	FINISH	MACHINED SURFACES:	∓	U.O.S
NEXT ASSY	USED ON				
APPLICATION		DO NOT SCALE DRAWING			

TITLE: ASSEMBLY, AIR CONDITIONER FM9R, SIDE, 1.7KW HEAT, 3/4" MNPT WATER IN/OUT, ONTARIO WATERWAY CRUISES		
PART NO. 20021-006		
SIZE B	DWG. NO. FM20021	REV L
NSN NO. -		
SCALE: 1:4	WGT: 50.61 LBS	SHEET 6 OF 7

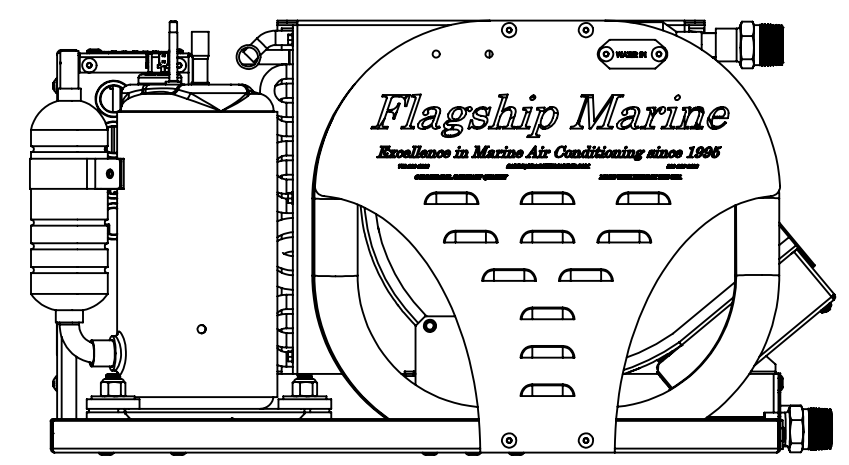
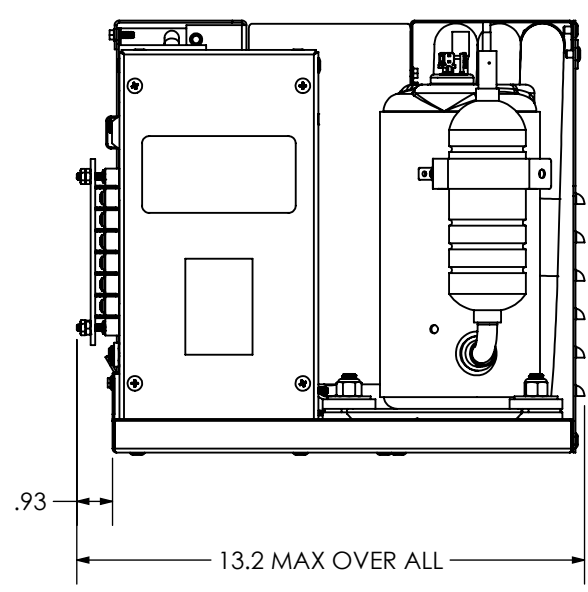
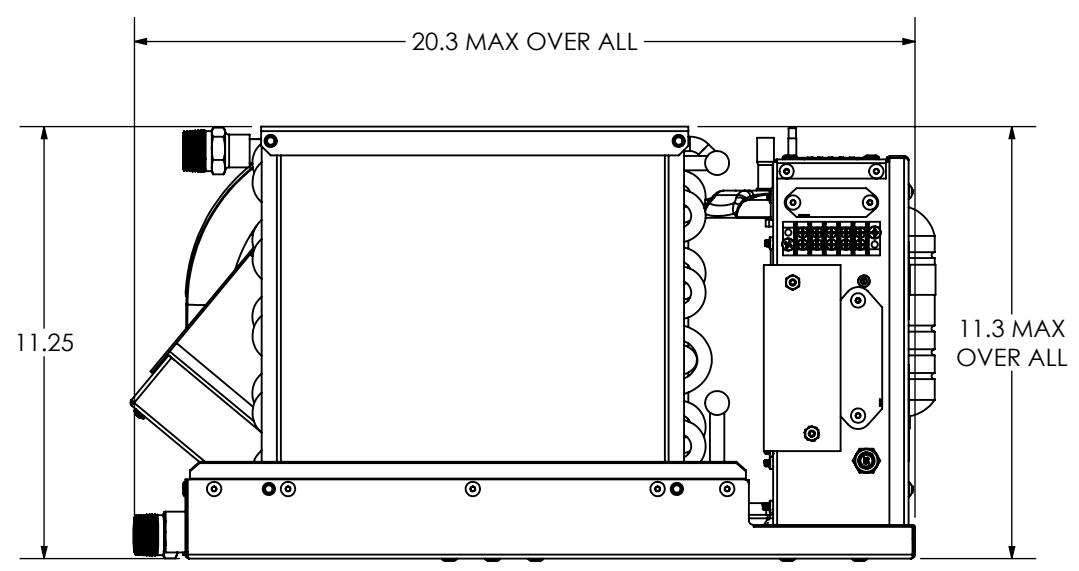
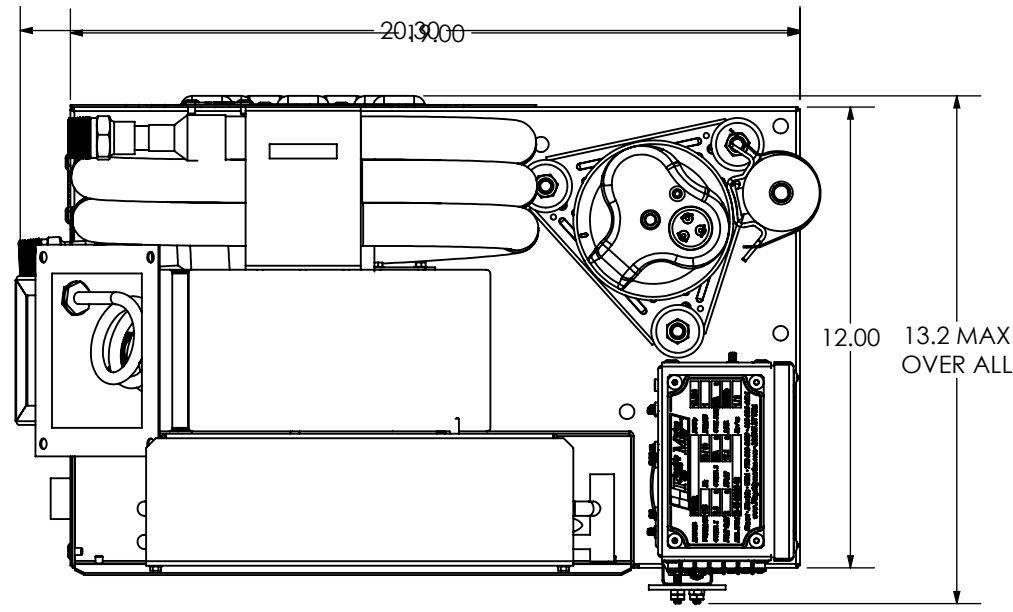
2. PREFERRED LIMITS AND FITS PER ANSI B4.1 (INCHES).
 1. DIMENSIONING & TOLERANCING PER ASME Y14.5M.


NOTES:

8 7 6 5 4 2 1

D
C
B
A

D
C
B
A



 2427 SE DIXIE HIGHWAY STUART FLORIDA 34996 USA (772) 283-1609 (800) 316-6426 FAX (772) 283-4611	DRAWN SWC	SIZE B	DRAWING NO. FM20021	REV L
	CHECKED -	WGT: 50.61 LBS	SCALE: 1:5	SHEET 7 OF 7
ENG APPR. -				

8 7 6 5 4 3 2 1