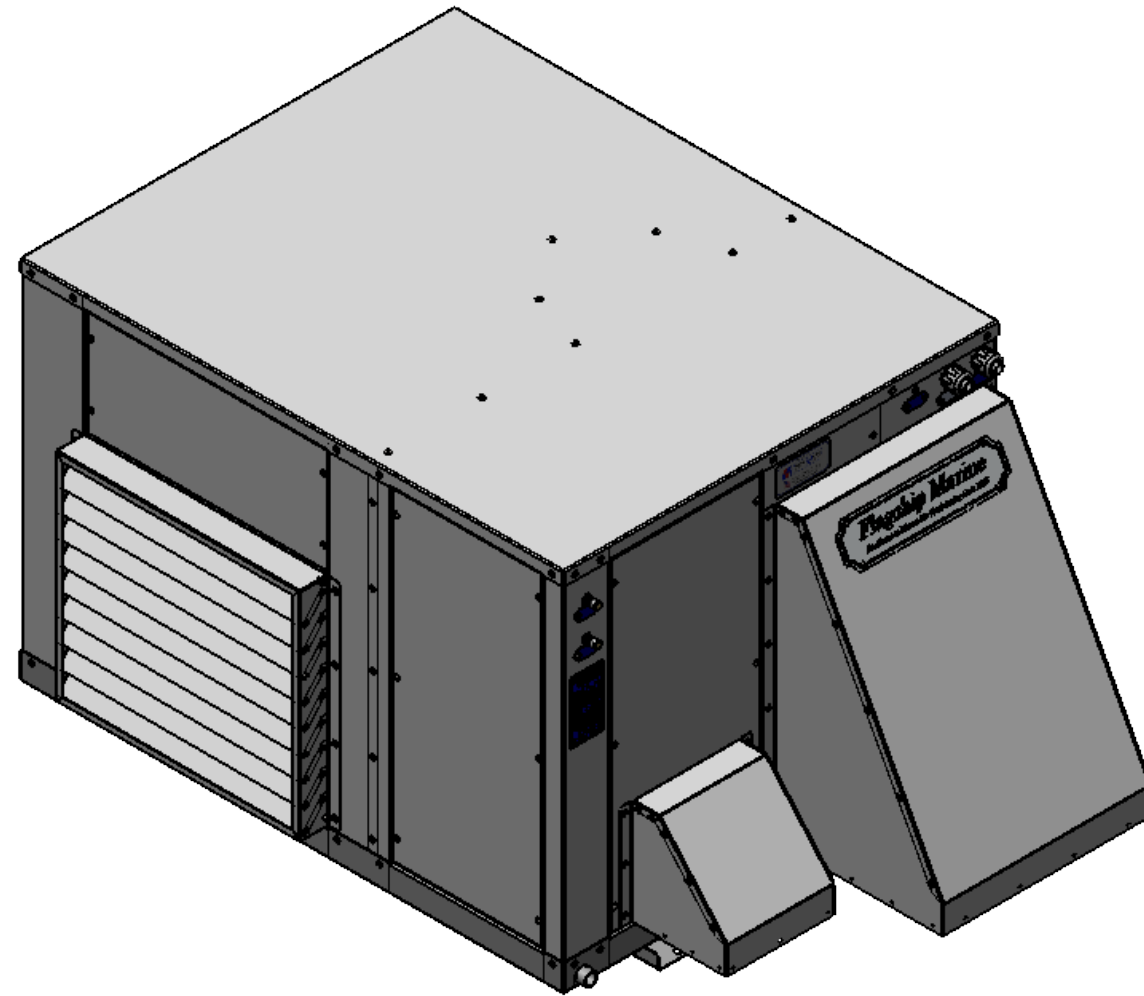


PART NUMBER	DESCRIPTION
21100-001	AIR CONDITIONER, FM24AC, SELF-CONTAINED, AIR COOLED, 230/1/60, (COOL ONLY)
21100-002	AIR CONDITIONER, FM24AC, SELF-CONTAINED, AIR COOLED, 230/3/60, (COOL ONLY)
21100-003	AIR CONDITIONER, FM24AC, SELF-CONTAINED, AIR COOLED, 460/3/60, (COOL ONLY)
21100-011	AIR CONDITIONER, FM24AC, SELF-CONTAINED, AIR COOLED, 230/1/60, 4KW HEAT
21100-012	AIR CONDITIONER, FM24AC, SELF-CONTAINED, AIR COOLED, 230/3/60, 4KW HEAT
21100-013	AIR CONDITIONER, FM24AC, SELF-CONTAINED, AIR COOLED, 460/3/60, 4KW HEAT

FLAGSHIP MARINE, INC.				
REV.	ZONE	DESCRIPTION	DATE	ENG APPROVAL
06	-	ADDED TAG, HARDWARE CHANGE	7/5/2017	-
A	-	MULTIPLE UPDATES TO ALL CONFIGURATIONS	10/10/2018	-
B	-	UPDATED FM81150 ASSEMBLY AND DRAWING	12/6/2018	-



Flagship Marine
 FLAGSHIP MARINE, INC.
 2427 SE DIXIE HIGHWAY
 STUART | FLORIDA | 34996 | USA
 (772) 283-1609 | (800) 316-6426
 FAX (772) 283-4611

PROPRIETARY AND CONFIDENTIAL
 THIS DOCUMENT CONTAINS INFORMATION
 PROPRIETARY TO FLAGSHIP
 MARINE, INC. NO PART MAY BE
 REPRODUCED, USED IN ANY FORM,
 OR STORED ELECTRONICALLY
 WITHOUT THE WRITTEN PERMISSION OF
 FLAGSHIP MARINE, INC.

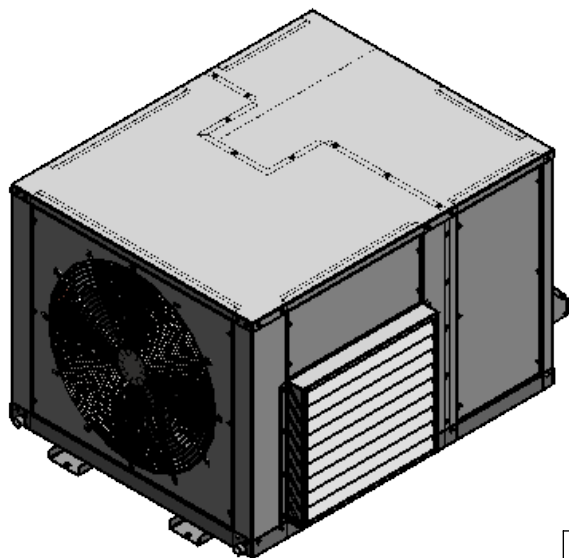
		UNLESS OTHERWISE SPECIFIED:		NAME	DATE
		DIMENSIONS ARE IN INCHES	DRAWN	SWC	10/16/2009
		TOLERANCES:	CHECKED	TCM	-
		FRACTIONS ± 1/32	ENG APPR.	TCM	-
		ANG: MACH ± 0°30' BEND ± 2°	MFG APPR.	TCM	-
		DECIMALS .XX ± .01	Q.A.	EAS	-
		.XXX ± .005			
		HOLE Ø .XX ± .005			
		INTERPRET GEOMETRIC			
		TOLERANCING PER: ASME Y14.5M			
		MATERIAL	PERP	±	.003/IN
			STRAIGHTNESS	≡	.005/IN
			FLATNESS	▭	.005/IN
		FINISH	THREADS:		
			EXTERNAL - CLASS 2A		
			INTERNAL - CLASS 2B		
			MACHINED SURFACES: ✓	U.O.S	
NEXT ASSY	USED ON				
APPLICATION		DO NOT SCALE DRAWING			

TITLE:		ASSEMBLY, SELF CONTAINED, AIR COOLED, FM24AC	
PART NO.		21100-0XX	
SIZE	DWG. NO.	REV	
B	FM21100	B	
OLD PART NO. -			
SCALE: 1:10	WGT: 540.63 LBS	SHEET 1 OF 3	

2. PREFERRED LIMITS AND FITS PER ANSI B4.1 (INCHES).
 1. DIMENSIONING & TOLERANCING PER ASME Y14.5M.
 NOTES:

D

D



C

C

B

B

B

B

A

A

81	-	1	1	-	1	1	81150-002	WELDMNT, BASE, SELF CONTAINED, AIR COOLED, 3PH, FM24AC	41	4	4	4	4	4	4	60539-001	NUT, 3/8-16 NYLON LOCK NUT 18-8 SS
80	1	-	-	1	-	-	81150-001	WELDMNT, BASE, SELF CONTAINED, AIR COOLED, 1PH, FM24AC	40	4	4	4	4	4	4	60534-001	WASHER, 3/8" X 1.25", FLAT
79	1	1	1	1	1	1	71412-001	FABRICATION, PANEL, BIVECTOR, CONDENSOR, SELF CONTAINED, AIR COOLED, FM24AC	39	8	8	8	8	8	8	60533-001	RIVET, 3/16" DIA. .062-.125" GRIP RANGE, SSB6-2S
78	1	1	1	1	1	1	71411-001	FABRICATION, PLENUM, RETURN AIR, SELF CONTAINED, AIR COOLED, FM24AC	38	5	5	5	5	5	5	60532-001	RIVET, 3/16" DIA. .062-.125" GRIP RANGE, AB62A ALUM
77	1	1	1	1	1	1	71410-001	FABRICATION, PLENUM, SUPPLY AIR, SELF CONTAINED, AIR COOLED, FM24AC	37	135	135	135	135	135	135	60531-001	RIVET, 3/16" DIA. .126-.250" GRIP RANGE TS, SS
76	1	1	1	1	1	1	71409-001	FABRICATION, FLUE, BLOWER, SELF CONTAINED, AIR COOLED, FM24AC	36	57	57	57	60	60	60	60527-001	SELF TAP, #8 X 1/2 HWH SELF DRILL 410 SS
75	2	2	2	2	2	2	71408-004	FABRICATION, PANEL, ACCESS, SELF CONTAINED, AIR COOLED, FM24AC	35	4	4	4	4	4	4	60515-001	NUT, 5/16-18, 18-8 SST, NYLON INSERT LOCKNUT
74	2	2	2	2	2	2	71408-003	FABRICATION, PANEL, ACCESS, SELF CONTAINED, AIR COOLED, FM24AC	34	1	1	1	1	1	1	60500-001	LABEL, FMI MANUFACTURED BY
73	1	1	1	1	1	1	71408-002	FABRICATION, PANEL, CONDENSING FAN, SELF CONTAINED, AIR COOLED, FM24AC	33	1	1	1	1	1	1	60471-001	LED, RED INIDICATOR LIGHT, PRIMARY
72	1	1	1	1	1	1	71408-001	FABRICATION, PANEL, BLOWER, SELF CONTAINED, AIR COOLED, FM24AC	32	-	1	1	-	1	1	60342-001	MOTOR,.75HP,1140RPM,3PH,60HZ,143T,3428M,TEFC,7/8" SHAFT
71	1	1	1	1	1	1	71407-001	FABRICATION, PANEL, BIVECTOR, SELF CONTAINED, AIR COOLED, FM24AC	31	1	1	1	1	1	1	60329-001	REFRIGERANT, NU-22B
70	1	1	1	1	1	1	71406-004	FABRICATION, JOIST, CONDENSING FAN, SELF CONTAINED, AIR COOLED, FM24AC	30	1	-	-	1	-	-	60302-001	MOTOR,.75HP,1140RPM,1PH,60HZ,143T,3528LC,TEFC,7/8" SHAFT
69	3	3	3	3	3	3	71406-003	FABRICATION, JOIST, CONTROL BOX, SELF CONTAINED, AIR COOLED, FM24AC	29	-	-	1	-	-	1	60258-001	COMPRESSOR, SCROLL, 460/3/60, 24K BTU, R22, ZR25
68	2	2	2	2	2	2	71406-002	FABRICATION, JOIST, ACCESS LOWER, SELF CONTAINED, AIR COOLED, FM24AC	28	-	1	-	-	1	-	60257-001	COMPRESSOR, SCROLL, 230/3/60, 24K BTU, R22, ZR25
67	2	2	2	2	2	2	71406-001	FABRICATION, JOIST, ACCESS UPPER, SELF CONTAINED, AIR COOLED, FM24AC	27	1	-	-	1	-	-	60256-001	COMPRESSOR, SCROLL, 230/1/60, 24K BTU AIR-COOLED UNITS, 40x370 RUN CAP, ZR25
66	1	1	1	1	1	1	71405-002	FABRICATION, PILLAR, BIVECTOR, SELF CONTAINED, AIR COOLED, FM24AC	26	3	3	3	3	3	3	60228-001	EVAPORATOR/CONDENSER, 24K BTU, ALUMINUM/COPPER, 2-ROW
65	1	1	1	1	1	1	71405-001	FABRICATION, PILLAR, BIVECTOR, SELF CONTAINED, AIR COOLED, FM24AC	25	1	1	1	1	1	1	60156-001	GRILL, 3/8" WIRE SPACE, 4" CNTR PLATE, 11ga (.120) SPIRAL, (8).187 SPOKES 304SS, MT HOLES #8
64	1	1	1	1	1	1	71404-004	FABRICATION, PILLAR, CORNER, BLOWER RIGHT, SELF CONTAINED, AIR COOLED, FM24AC	24	7	7	7	7	7	7	60131-001	GROMMET, 11/16" PUSH-IN LOCKING, NYLON
63	1	1	1	1	1	1	71404-003	FABRICATION, PILLAR, CORNER, BLOWER LEFT, SELF CONTAINED, AIR COOLED, FM24AC	23	1	1	1	1	1	1	60122-001	FILTER DRIER, 24K-36K, 3/8", LIQUID LINE, TYPE LLD163S
62	1	1	1	1	1	1	71404-002	FABRICATION, PILLAR, CORNER, ELECTRICAL I/O, SELF CONTAINED, AIR COOLED, FM24AC	22	1	1	1	1	1	1	60075-001	FAN, 2100CFM, 0.5H2O, 3/4HP, 22/4-4/P5ZR/45.0/PA/0.875/0.187/BR/JA
61	1	1	1	1	1	1	71404-001	FABRICATION, PILLAR, CORNER, CHARGING PORTS, SELF CONTAINED, AIR COOLED, FM24AC	21	20	20	20	20	20	20	60070-001	WASHER, .385 ID X 1.406 OD X .25 THK, 60 DURO EPDM BLACK
60	1	1	1	1	1	1	71403-001	FABRICATION, LID, SELF CONTAINED, AIR COOLED, FM24AC	20	1	1	1	1	1	1	60069-001	SWITCH, PRESSURE, OPEN (400) CLOSE (300)
59	1	1	1	1	1	1	71180-001	TAG, THERMOSTAT CONNECTIONS, ANODIZED, ETCHED	19	-	-	-	1	1	1	60062-001	SWITCH, THERMAL LIMIT, 130 DEG. F, NC
58	1	1	1	1	1	1	71000-001	TAG, PLATE, SERIAL NUMBER, ANODIZED, ETCHED	18	-	-	-	-	-	1	60035-002	HEATER ELEMENT, COIL, 74"L, 8MM, 4000W, 460VAC, DBL END THRD BULKHEAD
57	1	1	1	1	1	1	70997-001	TAG, LOW PRESSURE, ANODIZED, ETCHED	17	-	-	-	1	1	1	60035-001	HEATER ELEMENT, COIL, 74"L, 8MM, 4000W, 230VAC, DBL END THRD BULKHEAD
56	1	1	1	1	1	1	70996-001	TAG, HIGH PRESSURE, ANODIZED, ETCHED	16	1	1	1	1	1	1	60012-001	BLOWER, 1202 CFM, 20/24/36, 115/230v, 1TDU2
55	1	1	1	1	1	1	70992-001	TAG, HIGH PRESSURE FAULT, ANODIZED, ETCHED	15	3	3	3	3	3	3	40102-001	VALVE, 1/4" STANDARD SERVICE, CAP W/RUBBER O-RING
54	1	1	1	1	1	1	70984-001	TAG, POWER CONNECTIONS, ANODIZED, ETCHED	14	1	1	1	1	1	1	40096-001	VALVE, EXPANSION, BALANCED PORT, 2-5 1/2-TON, R22, SBQBODY3X4
53	1	1	1	1	1	1	70657-002	FABRICATION, STRAP, FILTER DRIER, CHILLER, FM360CW	13	1	1	1	1	1	1	40095-001	VALVE, EXPANSION, CHARGE ELEMENT AND CAP TUBE, 2-6 TON, KT43VGA
52	1	1	1	1	1	1	70170-001	DETAIL, PLATE, DECORATIVE, FLAGSHIP MARINE	12	1	1	1	1	1	1	40080-001	ORIFICE, CARTRIDGE, BALANCED PORT VALVES, WHITE, 3-1/4 - 5-1/2 TON (R22), 4-6 TON (R410g), BQC-C
51	A/R	A/R	A/R	A/R	A/R	A/R	61002-001	WEATHER STRIP, NEOPRENE/EPDM/SBR FOAM, ADHESIVE BACK, 3/16" THICK, 3/4" WIDE	11	A/R	A/R	A/R	A/R	A/R	A/R	30230-001	LOOM, SPLIT-TYPE, BLUE TRACER, 1/2", 1100', M125-0120-A
50	A/R	A/R	A/R	A/R	A/R	A/R	61000-001	INSULATION, 1/8" FOAM PEEL AND STICK	10	4	4	4	4	4	4	30139-002	CONNECTOR, STRAIGHT, 1/2" PVC LIQUID TIGHT
49	A/R	A/R	A/R	A/R	A/R	A/R	60998-001	TAPE, CORK ROLL, 30"x2"	9	-	-	1	-	-	1	30124-001	TRANSFORMER, 2 KVA PRI: 240x480 SEC: 120/240 60hz - PART NO. 411-0091-000 SINGLE PHASE ENCAPSULATED
48	1	1	1	1	1	1	60850-001	SQUARE HEAD NYLON PUSH-IN NUT #8 THREAD	8	-	-	1	-	-	1	30119-001	TRANSFORMER, 1 KVA PRI: 240 X 480 SEC: 120/240 60HZ
47	2	2	2	2	2	2	60687-001	GROMMET, 1/2" DIA x 1/16" PANEL x 3/8" ID, SBR RUBBER	7	-	1	1	-	1	1	30034-002	WIRING, SELF-CONTAINED, AIR-COOLED, 230/460/3/60, FM24SSAC-FM72SSAC
46	32	32	32	32	32	32	60652-001	SCREW, #8-32 X 1" - #2 DRIVE TRUSS HEAD PHILLIPS, 18-8 SS	6	1	-	-	1	-	-	30034-001	WIRING, SELF-CONTAINED, AIR-COOLED, 230/1/60, FM24SSAC-FM72SSAC
45	45	45	45	45	45	45	60648-001	SCREW, #8-32 X 3/8" - #2 DRIVE TRUSS HEAD PHILLIPS, 316 SS	5	2	2	2	2	2	2	20800-001	ASSEMBLY, LOUVER PANEL, SELF CONTAINED, AIR COOLED, 24K BTU
44	4	4	4	4	4	4	60644-001	BOLT, 5/16 X 3/4, HHCS, 18-8 SS	4	1	1	1	1	1	1	20515-001	ASSEMBLY, THERMOSTAT, SELF-CONTAINED, A/C, 9K-36K UNIVERSAL
43	8	8	8	8	8	8	60643-001	WASHER, 5/16" USS FLAT, 18-8 SS	3	-	1	1	-	1	1	20035-012	CONTROL ENCLOSURE, CDU/SC, AIR COOLED, SINGLE COMPRESSOR, 230/460/3/60, OPTIONAL HEAT
42	12	12	12	12	12	12	60636-001	WASHER, REGULAR FLAT TYPE B, #10 X .203"ID x .562"OD X .04"THK, 410 SS	2	-	-	-	1	-	-	20035-011	CONTROL ENCLOSURE, CDU/SC, AIR COOLED, SINGLE COMPRESSOR, 230/1/60, OPTIONAL HEAT
41	1	1	1	1	1	1	60636-001	WASHER, REGULAR FLAT TYPE B, #10 X .203"ID x .562"OD X .04"THK, 410 SS	1	1	-	-	-	-	-	20035-001	CONTROL ENCLOSURE, CDU/SC, AIR COOLED, SINGLE COMPRESSOR, 230/1/60
ITEM NO.	001 QTY	002 QTY	003 QTY	011 QTY	012 QTY	013 QTY	PART NUMBER	DESCRIPTION	ITEM NO.	001 QTY	002 QTY	003 QTY	011 QTY	012 QTY	013 QTY	PART NUMBER	DESCRIPTION

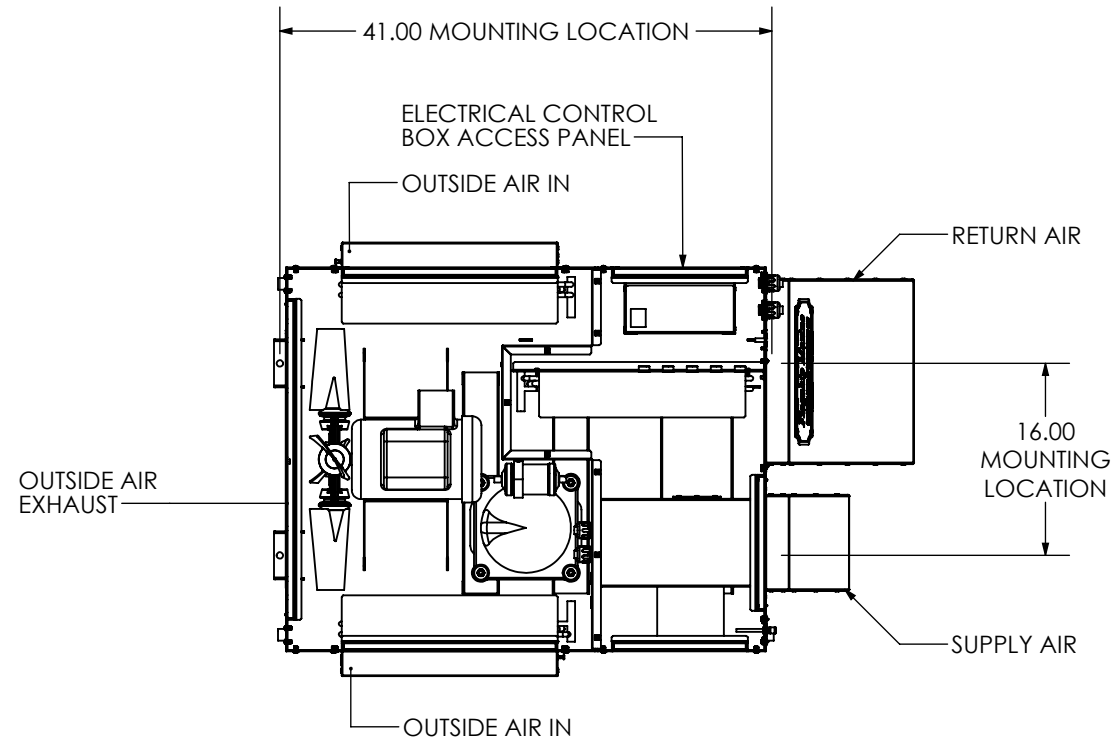
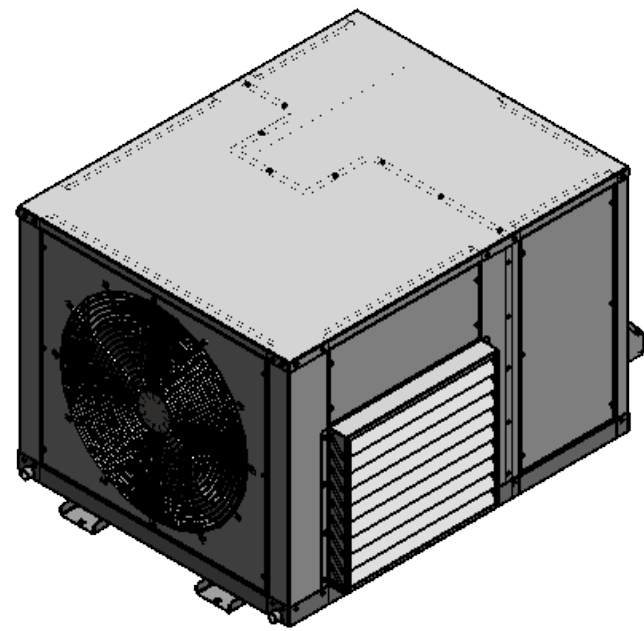
FLAGSHIP MARINE, INC. BILL OF MATERIALS

FLAGSHIP MARINE, INC. BILL OF MATERIALS

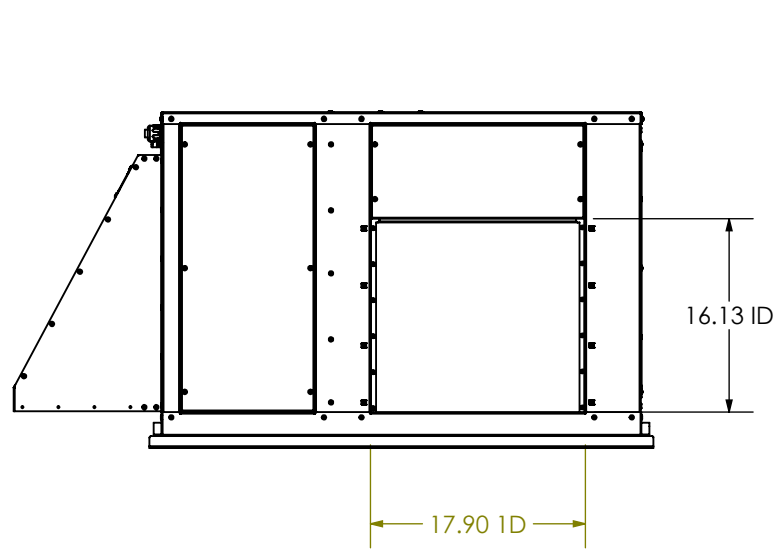


2427 SE DIXIE HIGHWAY | STUART | FLORIDA | 34996 | USA
(772) 283-1609 | (800) 316-6426 FAX (772) 283-4611

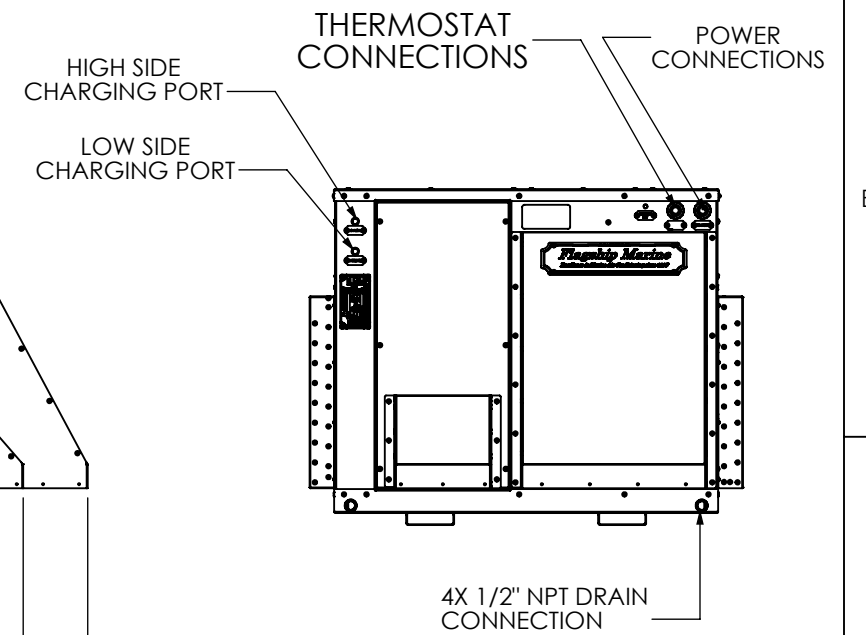
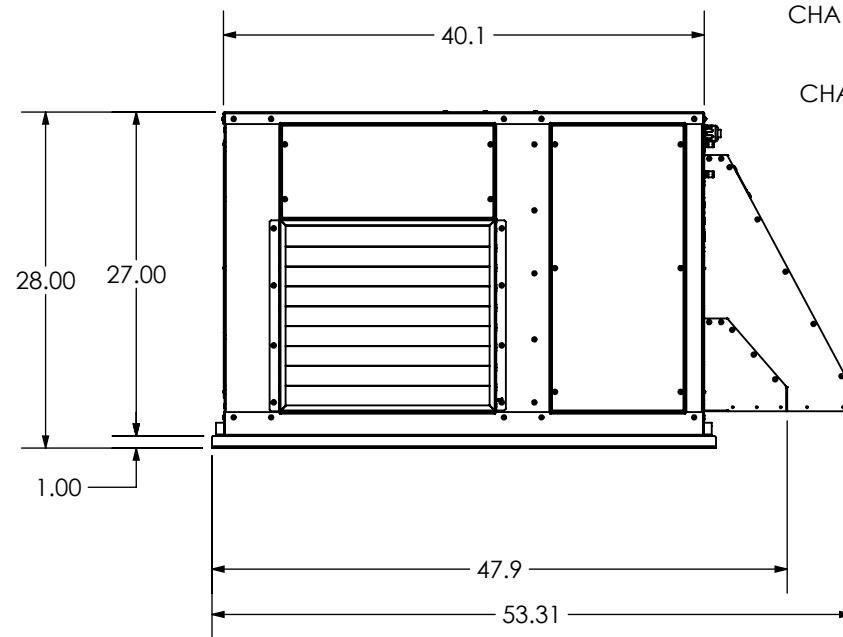
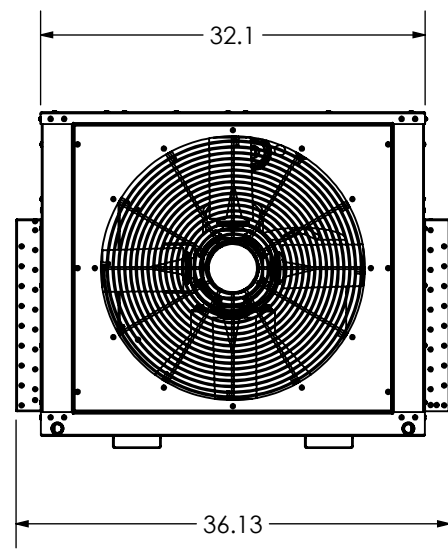
DRAWN	-	SIZE	B	DRAWING NO.	FM21100	REV	B
CHECKED	-	WGT:	540.63 LBS	SCALE:	1:18	SHEET 2 OF 3	
ENG APPR.	-						



TOP VIEW
WITH LID REMOVED FOR CLAIRITY



TOP VIEW
WITH LOUVER PANEL REMOVED
FOR CLAIRITY



Flagship Marine
COMMERCIAL QUALITY FRESHWATER ENGINE PARTS

2427 SE DIXIE HIGHWAY | STUART | FLORIDA | 34996 | USA
(772) 283-1609 | (800) 316-6426 FAX (772) 283-4611

DRAWN	-
CHECKED	-
ENG APPR.	-

SIZE	DRAWING NO.	REV
B	FM21100	B
WGT: 540.63 LBS	SCALE: 1:16	SHEET 3 OF 3