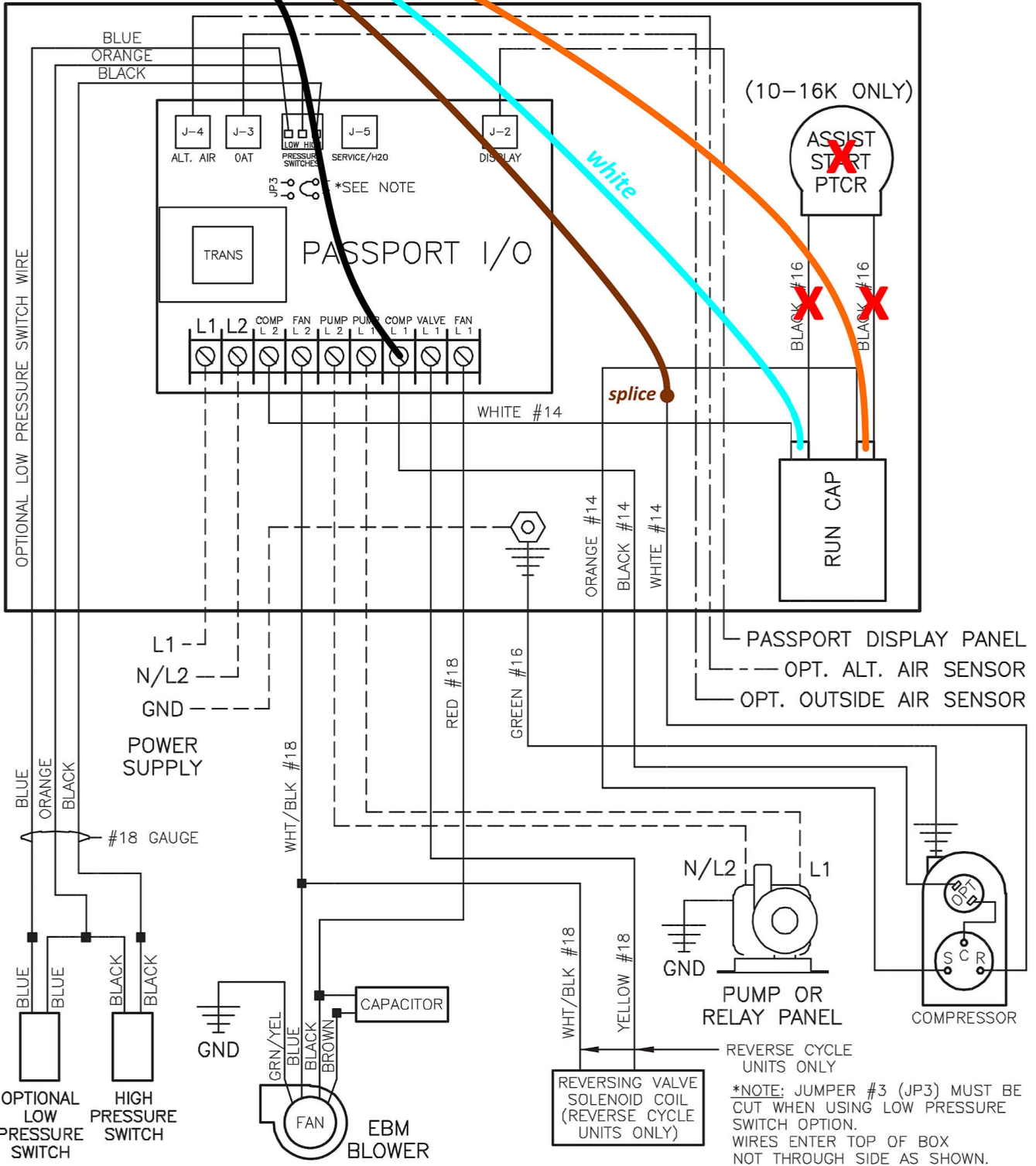


EasyStart 364

REV	DATE	REVISION	DWG	APR
A	1/14/03	REVISED VCP TO VCD IN TITLE,CAD023-03	DRR	RAP
B	3/13/03	ADDED PART NUMBER,CAD211-03	DRR	RAP
C	5/10/04	CHANGED WIRE SIZES,CAD317-04	DRR	MFG

ELECTRICAL BOX



DATE:	12/6/02
PART NUMBER:	335547
SCALE:	N.T.S.
DRAWN BY:	DRR
APPROVED BY:	PJM

WIRING DIAGRAM	
VCD5-16K(Z)HV	
HIGH VELOCITY VCD w/PSPRT I/O	
115-230VAC/50-60HZ/1Ø	
DRAWING NO.:	M1010123
REV:	C
SIZE:	A

Dometic Environmental Corporation	
Marine Air	
Cruisair - Marine Air - Grunert - Sentry - Tundra	