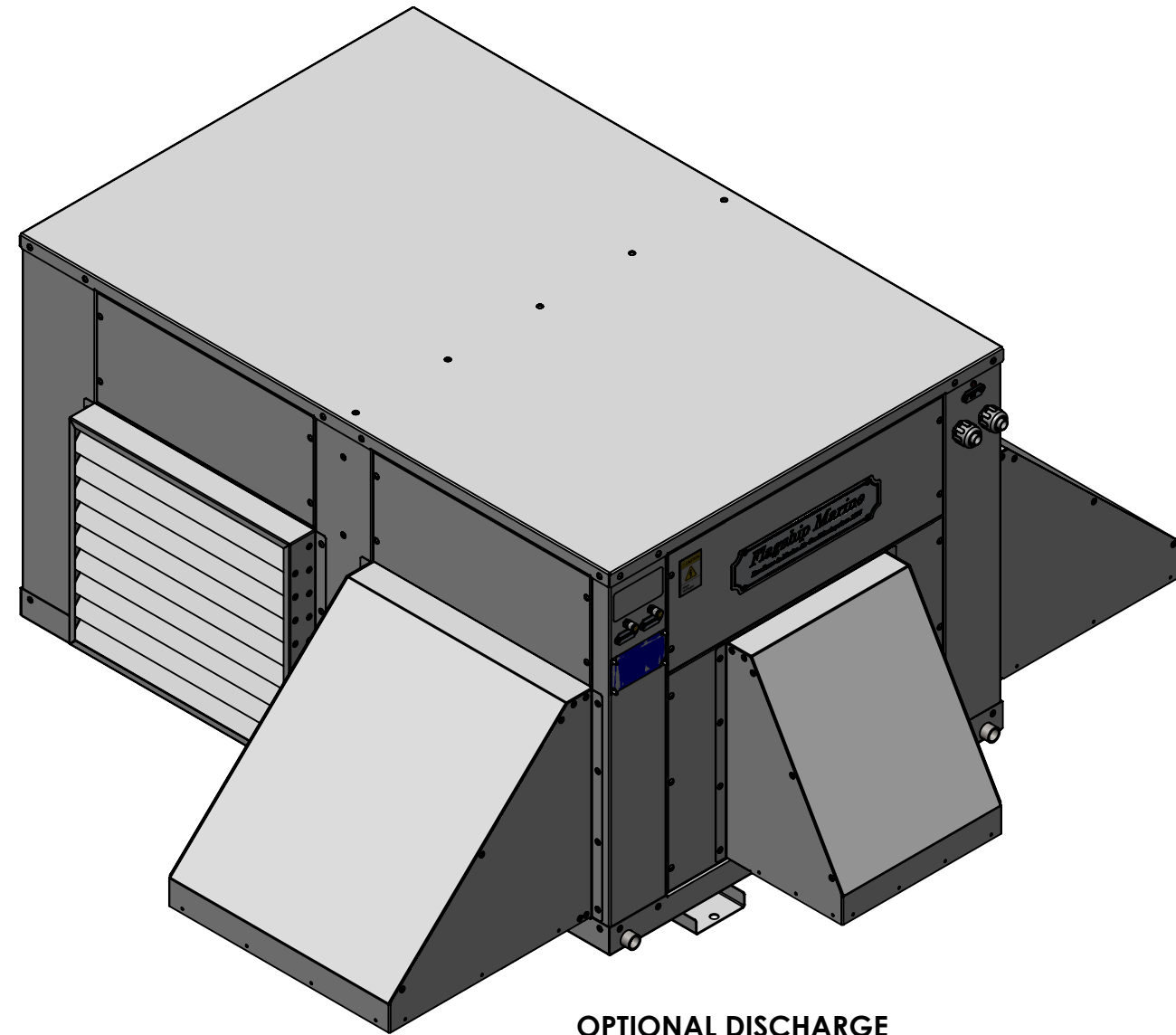


PART NUMBER	DESCRIPTION
21103-001	ASSEMBLY, SELF CONTAINED, AIR COOLED, 230/1/60, FM48AC
21103-002	ASSEMBLY, SELF CONTAINED, AIR COOLED, 230/3/60, FM48AC
21103-003	ASSEMBLY, SELF CONTAINED, AIR COOLED, 460/3/60, FM48AC
21103-011	ASSEMBLY, SELF CONTAINED, AIR COOLED, 230/1/60, FM48AC, WITH OPTIONAL HEAT
21103-012	ASSEMBLY, SELF CONTAINED, AIR COOLED, 230/3/60, FM48AC, WITH OPTIONAL HEAT
21103-013	ASSEMBLY, SELF CONTAINED, AIR COOLED, 460/3/60, FM48AC, WITH OPTIONAL HEAT

FLAGSHIP MARINE, INC.				
REV.	ZONE	DESCRIPTION	DATE	ENG APPROVAL
02	-	ADDED SQUARE HEAD NYLON PUSH-IN NUT #8 THREAD	12/15/2014	-
03	-	60228 WAS 60215, 60039 WAS 60035, ADDED 70992, UPDATED DRAWING	7/3/2017	-
04	-	MULTIPLE CHANGES AND UPDATES	9/8/2017	-



OPTIONAL DISCHARGE AND RETURN AIR PLENUMS SHOWN

2. PREFERRED LIMITS AND FITS PER ANSI B4.1 (INCHES).
 1. DIMENSIONING & TOLERANCING PER ASME Y14.5M.
 NOTES:



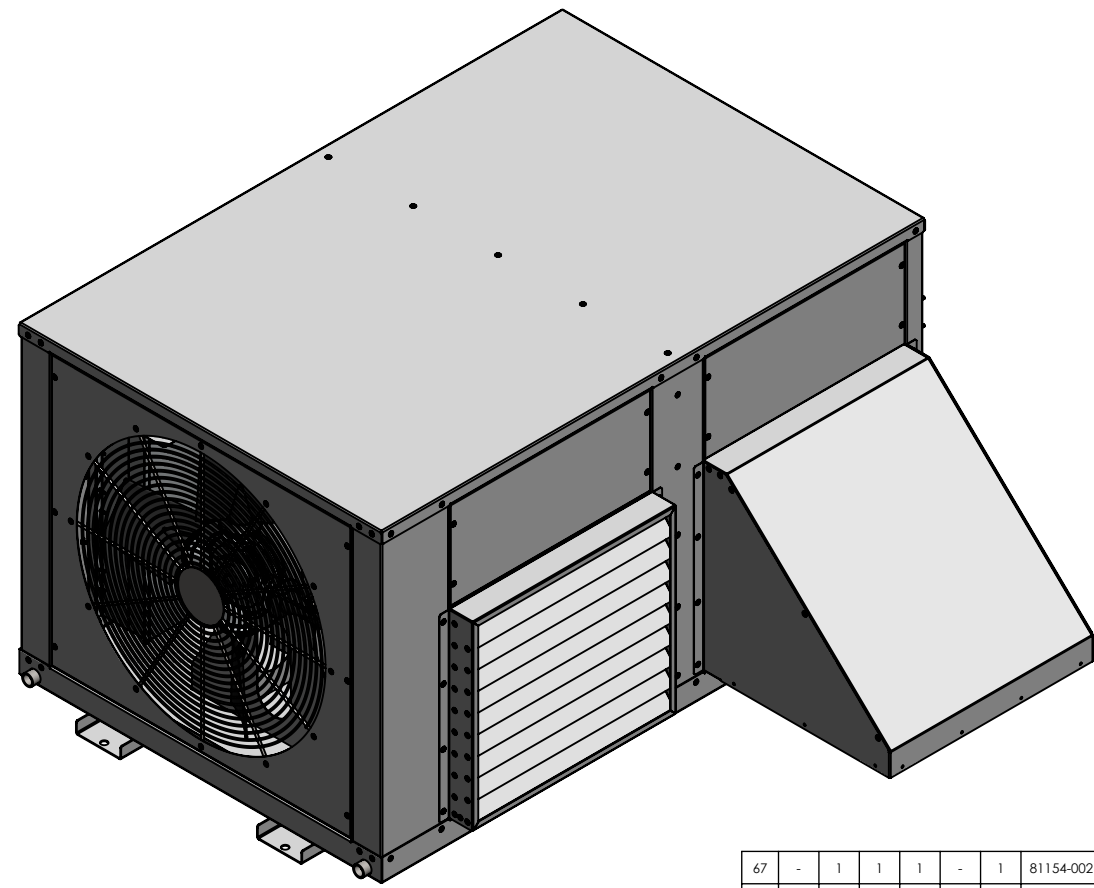
FLAGSHIP MARINE, INC.
 2427 SE DIXIE HIGHWAY
 STUART | FLORIDA | 34996 | USA
 (772) 283-1609 | (800) 316-6426
 FAX (772) 283-4611

PROPRIETARY AND CONFIDENTIAL
 THIS DOCUMENT CONTAINS INFORMATION PROPRIETARY TO FLAGSHIP MARINE, INC. NO PART MAY BE REPRODUCED, USED IN ANY FORM, OR STORED ELECTRONICALLY WITHOUT THE WRITTEN PERMISSION OF FLAGSHIP MARINE, INC.

UNLESS OTHERWISE SPECIFIED:		NAME	DATE	TITLE: ASSEMBLY, SELF CONTAINED, AIR COOLED, FM48AC	
DIMENSIONS ARE IN INCHES		DRAWN	SWC		PART NO. 21103-0XX
TOLERANCES:		CHECKED	TCM		
FRACTIONS ± 1/32		ENG APPR.	TCM		
ANG: MACH ± 0°30' BEND ± 2°		MFG APPR.	TCM		
DECIMALS .XX ± .01 .XXX ± .005 HOLE Ø .XX ± .005		Q.A.	EAS		
INTERPRET GEOMETRIC TOLERANCING PER: ASME Y14.5M		PERP STRAIGHTNESS	± .003/IN	SIZE	
MATERIAL		FLATNESS	± .005/IN	DWG. NO.	
FINISH		THREADS:	EXTERNAL - CLASS 2A INTERNAL - CLASS 2B	REV	
NEXT ASSY	USED ON	MACHINED SURFACES:	√ U.O.S	B	
APPLICATION		DO NOT SCALE DRAWING		FM21103	
				OLD PART NO. -	
				SCALE: 1:10 WGT: 569.37 LBS SHEET 1 OF 3	

8 7 6 5 4 2 1

D
C
B
A

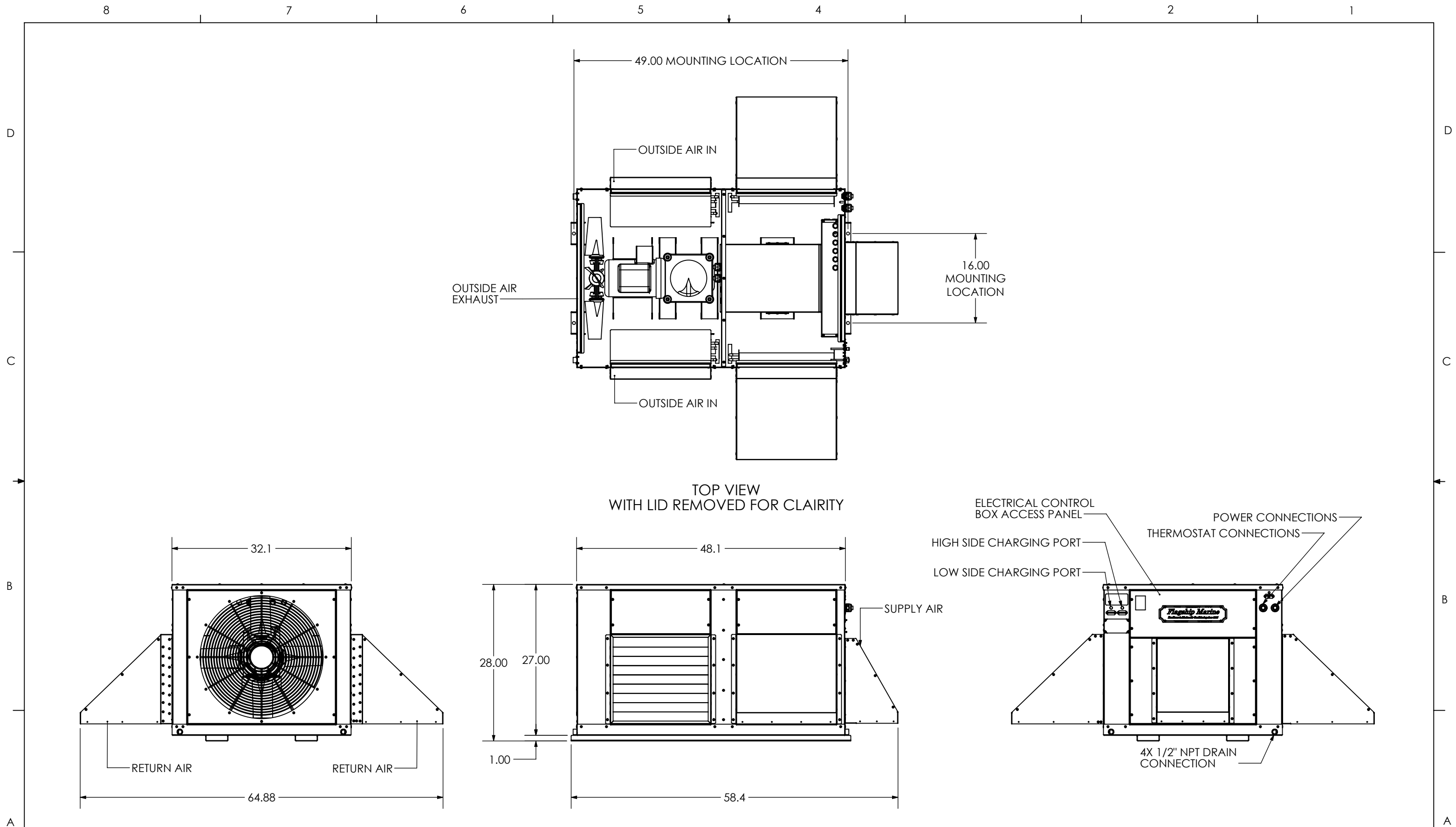


67	-	1	1	1	-	1	81154-002	WELDMENT, BASE, SELF CONTAINED, AIR COOLED, 3PH, FM48AC	34	4	4	4	4	4	4	60539-001	NUT, 3/8-16 NYLON LOCK NUT 18-8 SS
66	1	-	-	-	1	-	81154-001	WELDMENT, BASE, SELF CONTAINED, AIR COOLED, 1PH, FM48AC	32	4	4	4	4	4	4	60534-001	WASHER, 3/8 X 1 1/4 FENDER WASHER, 18-8 SS
65	2	2	2	2	2	2	71461-001	FABRICATION, PLENUM, RETURN AIR, SELF CONTAINED, AIR COOLED, FM48AC	31	1	1	1	1	1	1	60532-001	RIVET, 3/16" DIA. .062-.125" GRIP RANGE, AB62A ALUM
64	1	1	1	1	1	1	71460-001	FABRICATION, PLENUM, SUPPLY AIR, SELF CONTAINED, AIR COOLED, FM48AC	30	161	161	161	161	161	161	60531-001	RIVET, 3/16" DIA. .126-.250" GRIP RANGE TS, SS
63	-	-	-	1	1	1	71459-002	FABRICATION, FLUE, HEATING ELEMENTS, BLOWER, SELF CONTAINED, AIR COOLED, FM48AC	29	130	130	130	134	134	134	60527-001	SELF TAP, #8 X 1/2 HWH SELF DRILL 18-8 SS
62	1	1	1	-	-	-	71459-001	FABRICATION, FLUE, BLOWER, SELF CONTAINED, AIR COOLED, FM48AC	29	4	4	4	4	4	4	60515-001	NUT, 5/16-18, 18-8 SST, NYLON INSERT LOCKNUT
61	1	1	1	1	1	1	71458-004	FABRICATION, PANEL, CONTROL BOX, SELF CONTAINED, AIR COOLED, FM48AC	28	1	1	1	1	1	1	60504-001	DECAL, CAUTION HIGH VOLTAGE CU64447-81870
60	4	4	4	4	4	4	71458-003	FABRICATION, PANEL, ACCESS, SELF CONTAINED, AIR COOLED, FM48AC	27	1	1	1	1	1	1	60500-001	LABEL, FMI MANUFACTURED BY
59	1	1	1	1	1	1	71458-002	FABRICATION, PANEL, CONDENSING FAN, SELF CONTAINED, AIR COOLED, FM48AC	26	1	1	1	1	1	1	60471-001	LED, RED INDICATOR LIGHT, PRIMARY
58	1	1	1	1	1	1	71458-001	FABRICATION, PANEL, BLOWER, SELF CONTAINED, AIR COOLED, FM48AC	25	-	1	1	1	-	1	60343-001	MOTOR, 1755 RPM, 2 HP, TEFC, 230/460/3/60, 7/8" SHAFT, BALDOR EM3558T
57	1	1	1	1	1	1	71457-001	FABRICATION, PANEL, BIVECTOR, SELF CONTAINED, AIR COOLED, FM48AC	24	-	-	1	1	-	-	60338-001	COMPRESSOR, SCROLL, 3PH, 60 Hz, 460/3/60, ZR48 SERIES
56	1	1	1	1	1	1	71456-004	FABRICATION, JOIST, CONDENSING FAN, SELF CONTAINED, AIR COOLED, FM48AC	23	-	1	-	-	-	1	60337-001	COMPRESSOR, SCROLL, 3PH, 60 Hz, 230/3/60, ZR48 SERIES
55	2	2	2	2	2	2	71456-003	FABRICATION, JOIST, CONTROL BOX, SELF CONTAINED, AIR COOLED, FM48AC	22	1	-	-	-	1	-	60304-001	MOTOR, 2HP, 1730RPM, 1PH, 60HZ, 56HZ, 3528LC, TEFC, F1, 7/8" SHAFT
54	2	2	2	2	2	2	71456-002	FABRICATION, JOIST, ACCESS LOWER, SELF CONTAINED, AIR COOLED, FM48AC	21	1	-	-	-	1	-	60269-001	COMPRESSOR, SCROLL, 1PH, 60 Hz, 230/1/60, ZR48 SERIES
53	6	6	6	6	6	6	71456-001	FABRICATION, JOIST, ACCESS UPPER, SELF CONTAINED, AIR COOLED, FM48AC	20	6	6	6	6	6	6	60228-001	EVAPORATOR, 24000 MBTU, 16HX17W, 2 ROW
52	2	2	2	2	2	2	71455-001	FABRICATION, PILLAR, BIVECTOR, SELF CONTAINED, AIR COOLED, FM48AC	19	1	1	1	1	1	1	60156-001	GRILL, 3/8" WIRE SPACE, 4" CNTR PLATE, 11ga (.120) SPIRAL, (8), 187 SPOKES 304SS, MT HOLES #8
51	1	1	1	1	1	1	71454-004	FABRICATION, PILLAR, CORNER, BLOWER RIGHT, SELF CONTAINED, AIR COOLED, FM48AC	18	2	2	2	2	2	2	60131-001	GROMMET, 11/16" PUSH-IN LOCKING, NYLON
50	1	1	1	1	1	1	71454-003	FABRICATION, PILLAR, CORNER, BLOWER LEFT, SELF CONTAINED, AIR COOLED, FM48AC	16	1	1	1	1	1	1	60083-001	DRIER, FILTER, 1/2" SOLDER, C304S
49	1	1	1	1	1	1	71454-002	FABRICATION, PILLAR, CORNER, ELECTRICAL I/O, SELF CONTAINED, AIR COOLED, FM48AC	15	1	1	1	1	1	1	60078-001	FAN, (6000CFM, 1.1H2O, 2HP) - (4000CFM, 1.1H2O, 1.63HP), 22/4-4/P52R/32.5/PA/0.875/0.187/BR/JA
48	1	1	1	1	1	1	71454-001	FABRICATION, PILLAR, CORNER, CHARGING PORTS, SELF CONTAINED, AIR COOLED, FM48AC	14	20	20	20	20	20	20	60070-001	WASHER, .385 ID X 1.406 OD X .25 THK, 60 DURO EPDM BLACK
47	1	1	1	1	1	1	71453-001	FABRICATION, LID, SELF CONTAINED, AIR COOLED, FM48AC	13	1	1	1	1	1	1	60069-001	SWITCH, PRESSURE, OPEN (400) CLOSE (300)
45	1	1	1	1	1	1	71000-001	TAG, PLATE, SERIAL NUMBER, ANODIZED, ETCHED	12	-	-	-	2	2	2	60062-001	SWITCH, THERMAL LIMIT, 130 DEG. F, NC
46	1	1	1	1	1	1	70997-001	TAG, LOW PRESSURE, ANODIZED, ETCHED	11	-	-	-	2	2	2	60039-001	HEATER ELEMENT, COIL, 66"L, 8MM, 3000W, 240VAC, DBL END THRD BULKHEAD
45	1	1	1	1	1	1	70996-001	TAG, HIGH PRESSURE, ANODIZED, ETCHED	10	1	1	1	1	1	1	60014-001	BLOWER, PSC, FORWARD CURVE, DIRECT DRIVE, WHEEL DIA 13", DAYTON 1XJY4
44	1	1	1	1	1	1	70992-001	TAG, HIGH PRESSURE FAULT, ANODIZED, ETCHED	9	2	2	2	2	2	2	40109-001	NUT, 1JLR4, SERVICE VALVE HI/LOW, BRN 1/2x1/8"
43	1	1	1	1	1	1	70170-001	DETAIL, PLATE, DECORATIVE, FLAGSHIP MARINE	8	2	2	2	2	2	2	40101-001	VALVE, THRU BHD FITTING, 1/4", SERVICE
42	1	1	1	1	1	1	60850-001	NUT, SQUARE HEAD, PUSH-IN, NYLON, #8	7	1	1	1	1	1	1	40091-001	VALVE, EXPANSION, BALANCED PORT, 8-TON, R22
41	32	32	32	32	32	32	60652-001	SCREW, #8-32 X 1" - #2 DRIVE TRUSS HEAD PHILLIPS, 18-8 SS	6	-	-	1	1	-	-	30124-001	TRANSFORMER, 2 KVA PRI: 240x480 SEC: 120/240 60hz - PART NO. 411-0091-000 SINGLE PHASE ENCAPSULATED
40	39	39	39	39	39	39	60648-001	SCREW, #8-32 X 3/8" - #2 DRIVE TRUSS HEAD PHILLIPS, 316 SS	5	2	2	2	2	2	2	20800-001	ASSEMBLY, LOUVER PANEL, SELF CONTAINED, AIR COOLED, 24K BTU
38	4	4	4	4	4	4	60644-001	BOLT, 5/16 X 3/4, HHCS, 18-8 SS	4	-	-	-	-	1	-	20036-012	ASSEMBLY, CONTROL BOX, SELF CONTAINED, AIR COOLED, 230/3/60, WITH OPTIONAL HEAT
36	8	8	8	8	8	8	60643-001	WASHER, 5/16" X 7/8" OD SAE FLAT, 18-8 SS	3	-	-	-	-	1	-	20036-011	ASSEMBLY, CONTROL BOX, SELF CONTAINED, AIR COOLED, 230/1/60, WITH OPTIONAL HEAT
35	12	12	12	12	12	12	60636-001	WASHER, REGULAR FLAT TYPE B, #10 X .203"ID X .562"OD X .04"THK, 410 SS	2	-	1	1	-	-	-	20036-002	ASSEMBLY, CONTROL BOX, SELF CONTAINED, AIR COOLED, 230/3/60
									1	1	-	-	-	-	-	20036-001	ASSEMBLY, CONTROL BOX, SELF CONTAINED, AIR COOLED, 230/1/60
ITEM NO.	001 QTY	002 QTY	003 QTY	013 QTY	011 QTY	012 QTY	PART NUMBER	DESCRIPTION	ITEM NO.	001 QTY	002 QTY	003 QTY	013 QTY	011 QTY	012 QTY	PART NUMBER	DESCRIPTION

Flagship Marine
Commercial Factory Direct Quality Prices
2427 SE DIXIE HIGHWAY | STUART | FLORIDA | 34996 | USA
(772) 283-1609 | (800) 316-6426 FAX (772) 283-4611

DRAWN -	SIZE B	DRAWING NO. FM21103	REV 04
CHECKED -	WGT: 569.37 LBS	SCALE: 1:20	SHEET 2 OF 3
ENG APPR. -			

8 7 6 5 4 3 2 1



TOP VIEW
WITH LID REMOVED FOR CLAIRITY

Flagship Marine
Commercial Quality Factory Direct Prices

2427 SE DIXIE HIGHWAY | STUART | FLORIDA | 34996 | USA
(772) 283-1609 | (800) 316-6426 FAX (772) 283-4611

DRAWN -	SIZE B	DRAWING NO. FM21103	REV 04
CHECKED -	WGT: 569.37 LBS	SCALE: 1:16	SHEET 3 OF 3
ENG APPR. -			