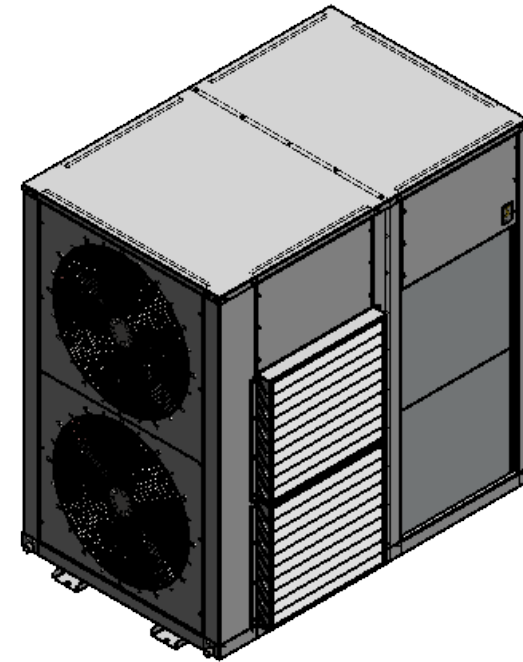


PART NUMBER	DESCRIPTION
21106-001	ASSEMBLY, SELF CONTAINED, AIR COOLED, 230/3/60, FM120AC (COOL ONLY)
21106-011	ASSEMBLY, SELF CONTAINED, AIR COOLED, 230/3/60, FM120AC (16KW HEAT)

FLAGSHIP MARINE, INC.				
REV.	ZONE	DESCRIPTION	DATE	ENG APPROVAL
01	-	INITIAL RELEASE	1/22/2018	-
02	-	ADDED STIFFENER, ROTATED 20156	8/13/2018	-



74	1	1	81166-001	WELDMENT, BASE, SELF CONTAINED, AIR COOLED, 1PH, FM120AC	37	16	16	60643-001	WASHER, 5/16" USS FLAT, 18-8 SS
73	1	1	80924-001	WELDMENT, PANEL, CONDENSING FAN, SELF CONTAINED, AIR COOLED, FM120AC	36	24	24	60636-001	WASHER, REGULAR FLAT TYPE B, #10 X .203"ID X .562"OD X .04"THK, 410 SS
72	-	1	71569-001	FABRICATION, BRACKET, ENCLOSURE, LOW VOLTAGE, SELF CONTAINED, AIR COOLED, CHILLER UNIT, FM96/120AC	35	4	4	60539-001	NUT, 3/8-16 NYLON LOCK NUT 18-8 SS
71	2	2	71559-002	FABRICATION, FLUE, HEATING ELEMENTS, BLOWER, SELF CONTAINED, AIR COOLED, FM60AC	34	4	4	60534-001	WASHER, 3/8" X 1.25", FLAT
70	1	1	71556-004	FABRICATION, JOIST, CONDENSING FAN, SELF CONTAINED, AIR COOLED, FM60AC	33	134	138	60531-001	RIVET, 3/16" DIA. .126-.250" GRIP RANGE TS, SS
69	3	3	71556-003	FABRICATION, JOIST, CONTROL BOX, SELF CONTAINED, AIR COOLED, FM60AC	32	276	284	60527-001	SELF TAP, #8 X 1/2 HWH SELF DRILL 18-8 SS
68	4	4	71556-001	FABRICATION, JOIST, ACCESS UPPER, SELF CONTAINED, AIR COOLED, FM60AC	31	8	8	60515-001	NUT, 5/16-18, 18-8 SST, NYLON INSERT LOCKNUT
67	1	1	71553-001	FABRICATION, LID, SELF CONTAINED, AIR COOLED, FM60AC	30	1	2	60504-001	LABEL, CAUTION HIGH VOLTAGE
66	2	2	71233-002	FABRICATION, JOIST, SELF CONTAINED, AIR COOLED, FM120AC	29	1	1	60500-001	LABEL, FMI MANUFACTURED BY
65	4	4	71101-001	FABRICATION, PANEL, FAN ENCLOSURE, SELF CONTAINED, AIR COOLED, FM120AC	28	1	1	60471-001	LED, RED INDICATOR LIGHT, PRIMARY
64	1	1	71000-001	TAG, PLATE, SERIAL NUMBER, ANODIZED, ETCHED	27	2	2	60343-001	MOTOR, 1755 RPM, 2 HP, TEFC, 230/460/3/60, 7/8" SHAFT, BALDOR EM3558T
63	1	1	70997-001	TAG, LOW PRESSURE, ANODIZED, ETCHED	26	1	1	60319-001	COMPRESSOR, SCROLL, 230/3/60, ZR125, 128K BTU, R22
62	1	1	70996-001	TAG, HIGH PRESSURE, ANODIZED, ETCHED	25	4	4	60227-001	CONDENSER, 72000 MBTU, 17.50HX18.00W, X 6 ROW
61	1	1	70992-001	TAG, HIGH PRESSURE FAULT, ANODIZED, ETCHED	24	4	4	60216-001	EVAPORATOR, 36000 MBTU, 17.50HX18.13W, 3 ROW
60	1	1	70984-001	TAG, POWER CONNECTIONS, ANODIZED, ETCHED	23	2	2	60156-001	GRILL, 3/8" WIRE SPACE, 4" CNTR PLATE, 11ga (.120) SPIRAL, (8).187 SPOKES 304SS, MT HOLES #8
59	2	2	70954-003	FABRICATION, JOIST, SELF CONTAINED, AIR COOLED, FM120AC	22	2	2	60146-001	FAN, 6000CFM, 2HP, 22" DIAMETER, 1728 RPM, 37.5DEG. PITCH
58	1	1	70953-001	TAG, CONTROL CONNECTIONS, 24 V, ANODIZED, ETCHED	21	1	1	60140-001	GROMMET, SNAP-IN, FOR 1" OD PIPE
57	1	1	70899-001	FABRICATION, PANEL, BLOWER, UPPER, SELF CONTAINED, AIR COOLED, FM120AC	20	2	2	60131-001	GROMMET, 11/16" PUSH-IN LOCKING, NYLON
56	1	1	70898-001	FABRICATION, PANEL, CONTROL ENCLOSURE, SELF CONTAINED, AIR COOLED, FM120AC	19	-	2	60087-003	SWITCH, HEAT CONTROL, LEGEND PLATE, FOR 60086, ETCHED
55	1	1	70895-001	FABRICATION, PANEL, BLOWER, SELF CONTAINED, AIR COOLED, FM120AC	18	-	2	60086-001	SWITCH, LEGEND PLATE HOLDER
54	1	1	70894-001	FABRICATION, BRACKET, BLOWER, UPPER, SELF CONTAINED, AIR COOLED, FM120AC	17	-	2	60084-001	SWITCH, ON/OFF, W/ K10 CONTACTOR
53	1	1	70892-001	ASSEMBLY, PANEL, BIVECTOR, SELF CONTAINED, AIR COOLED, FM120AC	16	1	1	60082-001	FILTER, FILTER/DRIER, 7/8" ODF, C307S
52	1	1	70891-002	ASSEMBLY, PILLAR, BIVECTOR, SELF CONTAINED, AIR COOLED, FM120AC	15	20	20	60070-001	WASHER, .385 ID X 1.406 OD X .25 THK, 60 DURO EPDM BLACK
51	1	1	70891-001	ASSEMBLY, PILLAR, BIVECTOR, SELF CONTAINED, AIR COOLED, FM120AC	14	1	1	60069-001	SWITCH, PRESSURE, OPEN (400) CLOSE (300)
50	1	1	70890-001	ASSEMBLY, PILLAR, CORNER, BLOWER RIGHT, SELF CONTAINED, AIR COOLED, FM120AC	13	-	4	60062-001	SWITCH, THERMAL LIMIT, 130 DEG. F, NC
49	1	1	70889-001	ASSEMBLY, PILLAR, CORNER, BLOWER LEFT, SELF CONTAINED, AIR COOLED, FM120AC	12	-	4	60035-001	HEATER ELEMENT, COIL, 74" L, 8MM, 4000W, 230VAC, DBL END THRD BULKHEAD
48	1	1	70888-001	ASSEMBLY, PILLAR, CORNER, ELECTRICAL I/O, SELF CONTAINED, AIR COOLED, FM120AC	11	2	2	60014-001	BLOWER, PSC, FORWARD CURVE, DIRECT DRIVE, WHEEL DIA 13", DAYTON 1XJY4
47	1	1	70887-001	FABRICATION, PILLAR, CORNER, CHARGING PORTS, SELF CONTAINED, AIR COOLED, FM120AC	10	4	4	50041-001	DETAIL, .25" STANDOFF, MOTOR MOUNT, AIR HANDLER
46	2	2	70657-002	FABRICATION, STRAP, FILTER DRIER, CHILLER, FM360CW	9	2	2	40109-001	NUT, 1JLR4, SERVICE VALVE HI/LOW, BRN 1/2x1/8"
45	1	1	70170-001	DETAIL, PLATE, DECORATIVE, FLAGSHIP MARINE	8	2	2	40101-001	VALVE, THRU BHD FITTING, 1/4", SERVICE
44	A/R	A/R	61002-001	WEATHER STRIP, NEOPRENE/EPDM/SBR FOAM, ADHESIVE BACK, 3/16" THICK, 3/4" WIDE	7	1	1	40090-001	VALVE, EXPANSION, BALANCED PORT, 10-TON, R22, OVE-10-GA
43	A/R	A/R	61000-001	INSULATION, 1/8" FOAM PEEL AND STICK	6	A/R	A/R	30230-001	LOOM, SPLIT-TYPE, BLUE TRACER, 1/2", 1100', M125-0120-A
42	A/R	A/R	60998-001	TAPE, CORK ROLL, 30"x2"	5	2	2	30139-002	CONNECTOR, STRAIGHT, 1/2" PVC LIQUID TIGHT
41	1	1	60687-001	GROMMET, 1/2" DIA x 1/16" PANEL x 3/8" ID, SBR RUBBER	4	4	4	30139-001	CONNECTOR, 90 DEGREE PVC LIQUID-TIGHT, 1/2 NM TYPE B CONDUIT
40	50	50	60652-001	SCREW, #8-32 X 1" - #2 DRIVE TRUSS HEAD PHILLIPS, 18-8 SS	3	4	4	20800-002	ASSEMBLY, LOUVER PANEL, SELF CONTAINED, AIR COOLED, 36K BTU
39	59	59	60648-001	SCREW, #8-32 X 3/8" - #2 DRIVE TRUSS HEAD PHILLIPS, 316 SS	2	-	1	20156-002	CONTROL ENCLOSURE, SELF-CONTAINED, AIR COOLED, DUAL FANS, OPTIONAL HEAT, 230/460/3/60, (INSTALLED ON-BOARD UNIT)
38	8	8	60644-001	BOLT, 5/16"-18x1" HEX HEAD BOLT SS	1	1	-	20156-001	CONTROL ENCLOSURE, SELF-CONTAINED, AIR COOLED, DUAL FANS, 230/460/3/60, (INSTALLED ON-BOARD UNIT)

ITEM NO.	001 QTY	011 QTY	PART NUMBER	DESCRIPTION	ITEM NO.	001 QTY	011 QTY	PART NUMBER	DESCRIPTION
----------	---------	---------	-------------	-------------	----------	---------	---------	-------------	-------------

FLAGSHIP MARINE, INC. BILL OF MATERIALS

FLAGSHIP MARINE, INC. BILL OF MATERIALS

FLAGSHIP MARINE, INC.
2427 SE DIXIE HIGHWAY
STUART | FLORIDA | 34996 | USA
(772) 283-1609 | (800) 316-6426
FAX (772) 283-4611

PROPRIETARY AND CONFIDENTIAL

THIS DOCUMENT CONTAINS INFORMATION PROPRIETARY TO FLAGSHIP MARINE, INC. NO PART MAY BE REPRODUCED, USED IN ANY FORM, OR STORED ELECTRONICALLY WITHOUT THE WRITTEN PERMISSION OF FLAGSHIP MARINE, INC.

UNLESS OTHERWISE SPECIFIED:	NAME	DATE	TITLE:
DIMENSIONS ARE IN INCHES	DRAWN	TJW	2/20/2017
TOLERANCES:	CHECKED	TCM	-
FRACTIONS ± 1/32	ENG APPR.	TCM	-
ANG: MACH ± 0°30' BEND ± 2°	MFG APPR.	TCM	-
DECIMALS .XX ± .01	Q.A.	EAS	-
.XXX ± .005	PERP	±	.003/IN
HOLE Ø .XX ± .005	STRAIGHTNESS	∓	.005/IN
INTERPRET GEOMETRIC TOLERANCING PER: ASME Y14.5M	FLATNESS	∓	.005/IN
MATERIAL	THREADS:	EXTERNAL - CLASS 2A	INTERNAL - CLASS 2B
FINISH	MACHINED SURFACES:	✓	U.O.S
NEXT ASSY	USED ON		
APPLICATION	DO NOT SCALE DRAWING		

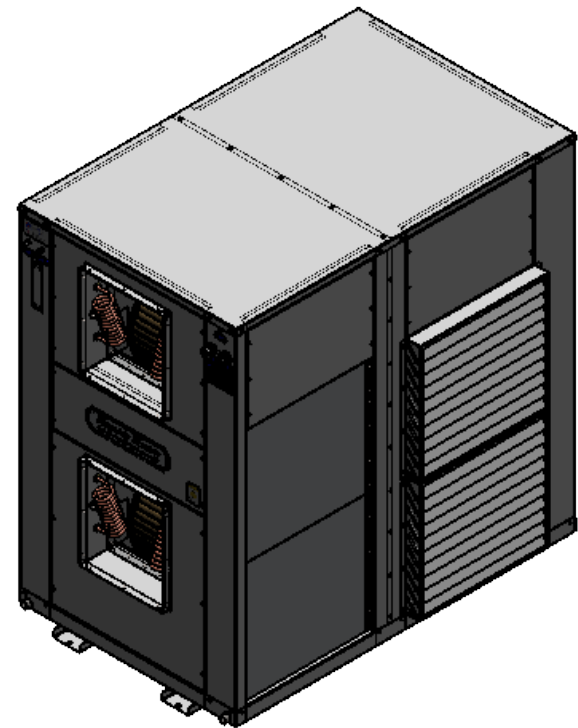
PART NO. 21106-0XX		
SIZE B	DWG. NO. FM21106	REV 02
NSN NO. -	SCALE: 1:22 WGT: 1163.93 LBS SHEET 1 OF 2	

3. REMOVE ALL BURRS & BREAK SHARP EDGES .005" MAX.
2. PREFERRED LIMITS AND FITS PER ANSI B4.1 (INCHES).
1. DIMENSIONING & TOLERANCING PER ASME Y14.5M.

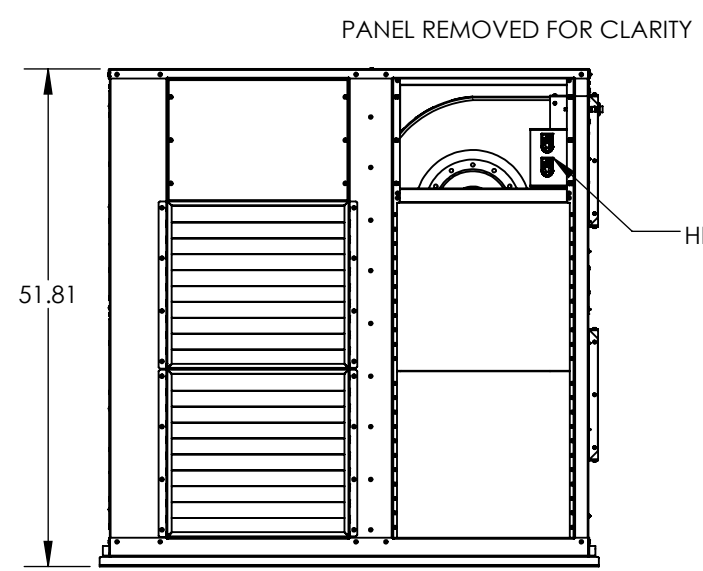
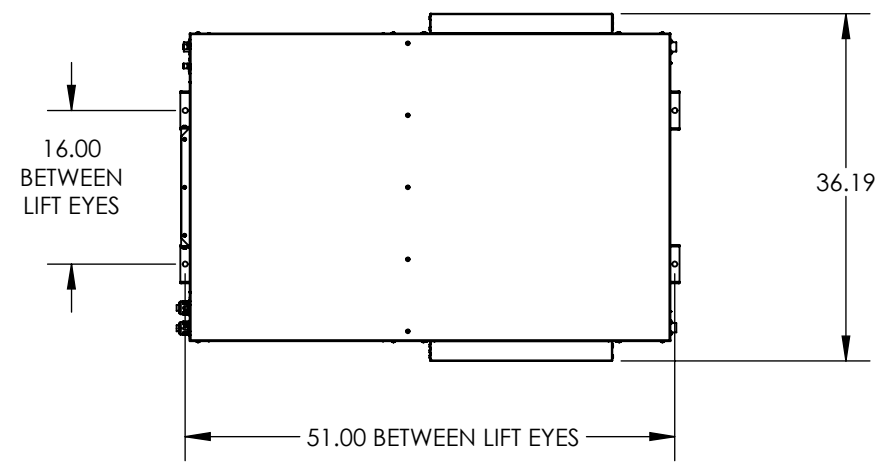
NOTES:

8 7 6 5 4 2 1

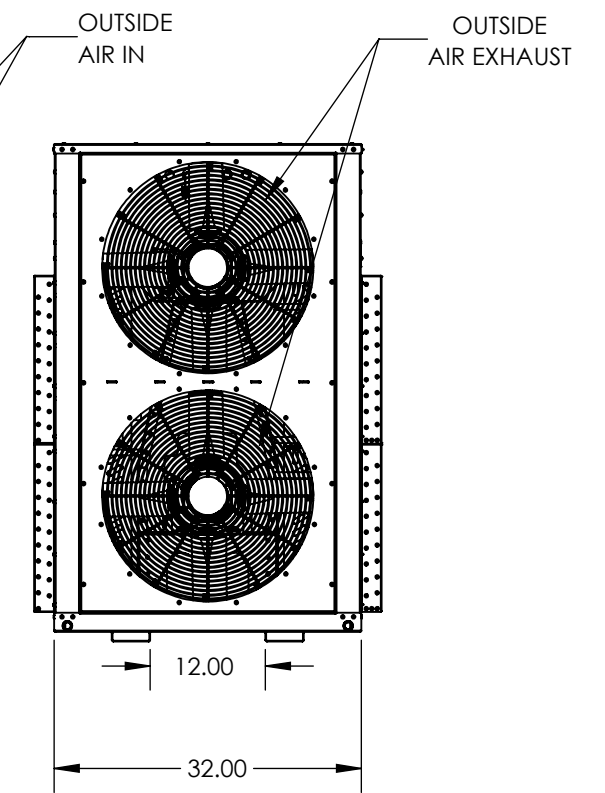
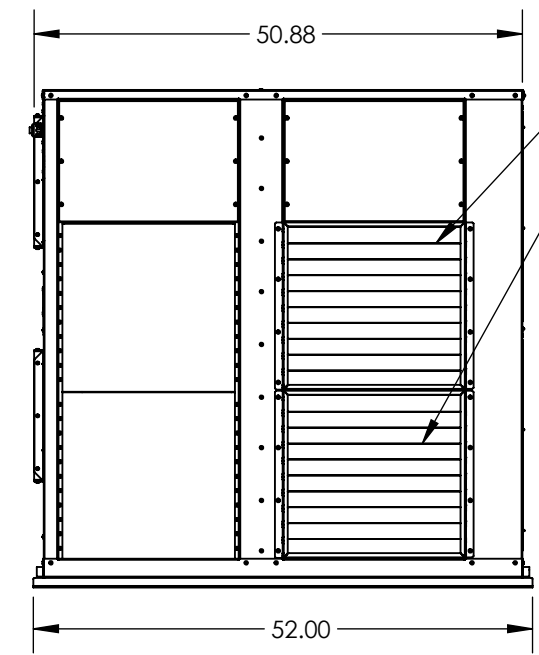
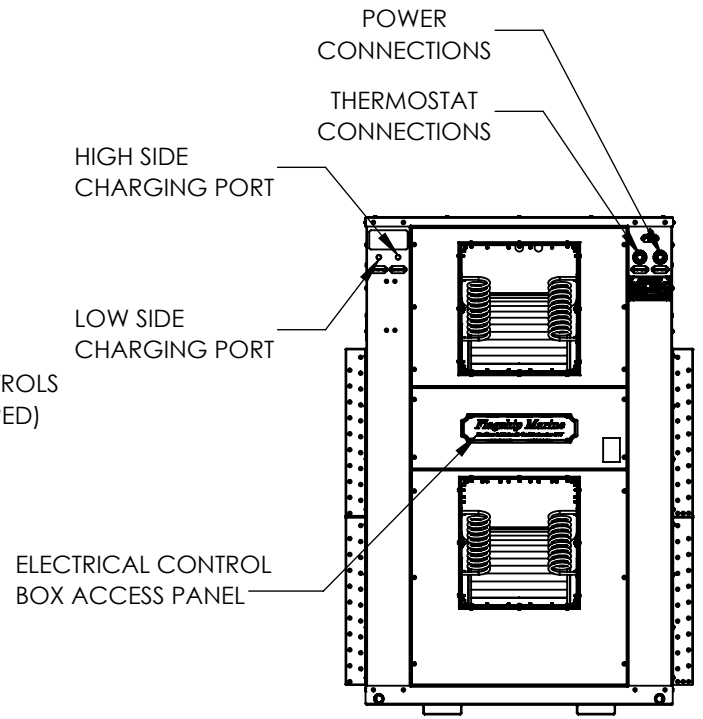
D
C
B
A




**21106-011
SHOWN**



PANEL REMOVED FOR CLARITY



 2427 SE DIXIE HIGHWAY STUART FLORIDA 34996 USA (772) 283-1609 (800) 316-6426 FAX (772) 283-4611	DRAWN -	SIZE B	DRAWING NO. FM21106	REV 02
	CHECKED -	WGT: 1163.93 LBS	SCALE: 1:20	SHEET 2 OF 2
	ENG APPR. -			

8 7 6 5 4 3 2 1