

FP-321 Series Fuel Primer Version 2.1

The FP-321 Series makes priming the fuel system of a diesel engine easier, faster, and safer than manually priming during routine filter changes. It pumps fuel into the lines to purge trapped air in the main feed line, primary filters, secondary filters, and engine. The bypass protects the system from pressurizing beyond the preset.

Basic Features

- 22 psi pressure relief
- Left-to-right flow or right-to-left flow
- 24V
- Momentary button with LED power indicator
- Marine or industrial version

Optional Features

- 12V special order
- 15 psi pressure relief special order

Technical Specifications

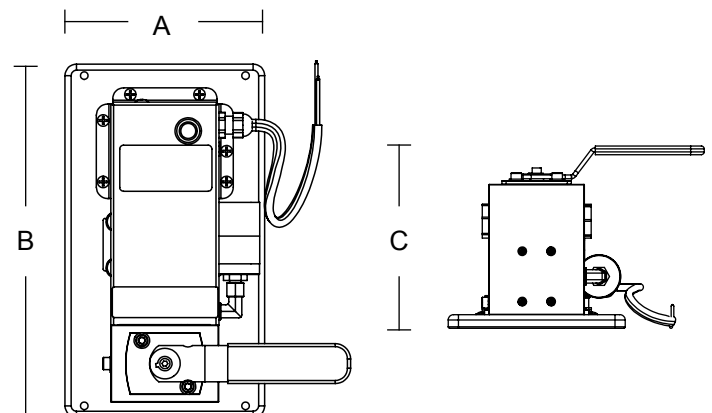
Flow Rate	4 GPM / 15 LPM	
Inlet / Outlet	1-1/6" x 12 UNF (straight o-ring boss)	
Voltage	12V or 24V	
Self-priming	5 ft / 1.5m (wet gears)	
Fuse <i>(installer supplied)</i>	15A	
Maximum Amperage Draw	8A / 12V, 4A / 24V	
Preset Pressure	22 psi / 1.5 bar	
Ambient Temperature	min. 14°F / -10°C max. 104°F / 40°C	
Seal	Viton	
Gears	PTFE	
Shaft	Stainless Steel	
Body	Nickel-plated brass	
Rated	IP67	
Dimensions	A	6.5" / 165 mm
	B	11.5" / 292 mm
	C	6.74" / 171 mm
	11 lbs / 4.99 kg	



*Marine Version
with white base and cover*



*Industrial Version
with stainless cover and black base*



Marine

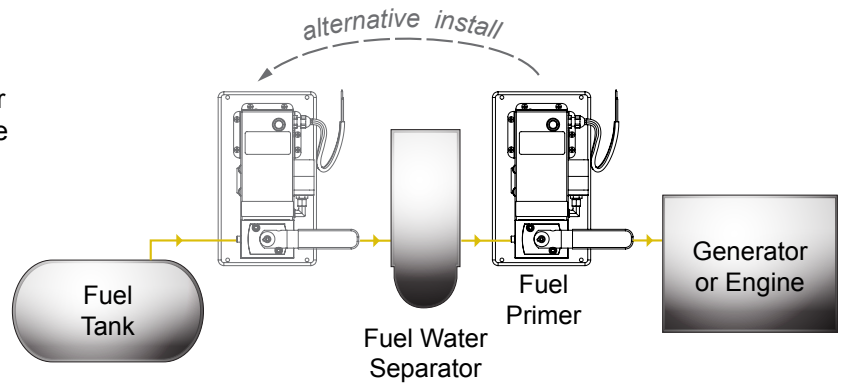
Part #	Description	Voltage
25-2972-02-04	FP-321-L-24-22 Left-to-right 22psi	24V
25-2972-02-10	FP-321-R-24-22 Right-to-left 22psi	24V
25-2972-02-03	FP-321-L-24-15 Left-to-right 15psi	24V
25-2972-02-09	FP-321-R-24-15 Right-to-left 15psi	24V
25-2972-01-04	FP-321-L-12-22 Left-to-right 22psi	12V
25-2972-01-10	FP-321-R-12-22 Right-to-left 22psi	12V
25-2972-01-03	FP-321-L-12-15 Left-to-right 15psi	12V
25-2972-01-09	FP-321-R-12-15 Right-to-left 15psi	12V

Industrial

Part #	Description	Voltage
25-2974-02-04	FP-321-L-24-22 Left-to-right 22psi	24V
25-2974-02-10	FP-321-R-24-22 Right-to-left 22psi	24V
25-2974-02-03	FP-321-L-24-15 Left-to-right 15psi	24V
25-2974-02-09	FP-321-R-24-15 Right-to-left 15psi	24V
25-2974-01-04	FP-321-L-12-22 Left-to-right 22psi	12V
25-2974-01-10	FP-321-R-12-22 Right-to-left 22psi	12V
25-2974-01-03	FP-321-L-12-15 Left-to-right 15psi	12V
25-2974-01-09	FP-321-R-12-15 Right-to-left 15psi	12V

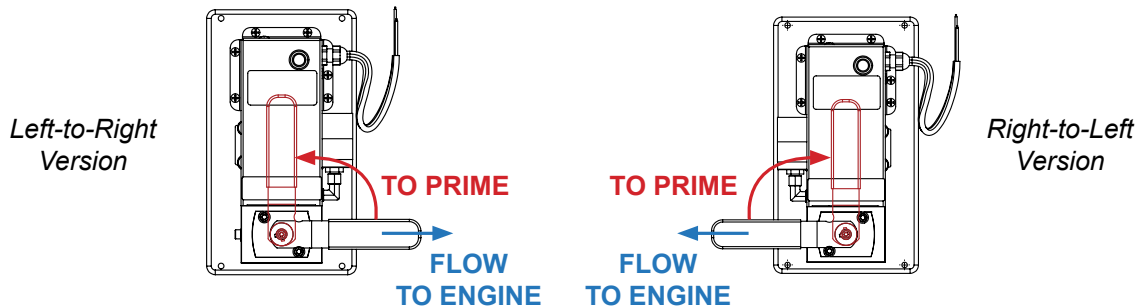
Installation

It is recommended to install the fuel primer after the primary filter, but it can be located anywhere in the fuel system. The valve handle points with the direction of flow.



Priming The System

- 1 Rotate valve handle to priming position.
- 2 Hold down button to run the pump. Once fuel appears at the filter, the lines are primed.
- 3 Release button and return valve handle to run position before restarting engine.



Version: 4/17/19