

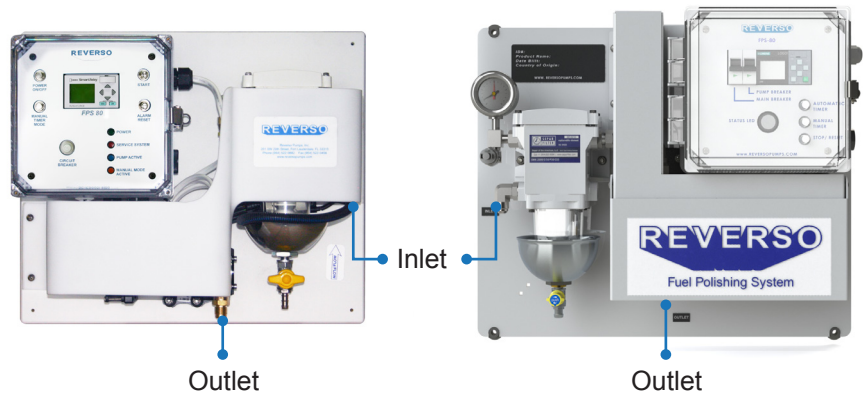


PRODUCT CHANGE NOTIFICATION

FPS Transition To Metal

Overall Changes

- Dimensions
- Weight
- Base and cover from plastic to metal
- Inlet and outlet location
- Standardized gauge and water level alarm
- Updated part numbers
- More optional features
- New e-box (UL-508A, modbus, web browser)



Model FPS-80	Description	Previous	Updated
Dimensions (in)		23 1/4" x 17 1/4" x 6 1/4"	22" x 18 1/4" x 8 3/10"
Weight (lb)		30	32
Part # *	12V Mechanical	18-3064	18-2001-01
	12V Digital	18-3067	18-2001-02
	12V Touchscreen		18-2001-03
	24V Mechanical	18-3065	18-2002-01
	24V Digital	18-1868	18-2002-02
	24V Touchscreen		18-2002-03

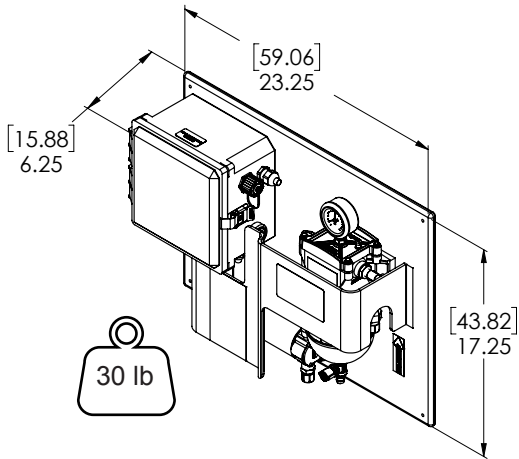
Model FPS-150	Description	Previous	Updated
Dimensions (in)		20" x 19" x 6 1/4"	22" x 18 1/4" x 8 3/10"
Weight (lb)		35	38
Part # *	12V Mechanical	19-1895	19-2001-01
	12V Digital	19-3084	19-2001-02
	12V Touchscreen		19-2001-03
	24V Mechanical	19-1897	19-2002-01
	24V Digital	19-3085	19-2002-02
	24V Touchscreen		19-2002-03

Model FPS-210	Description	Previous	Updated
Dimensions (in)		24" x 20" x 7 7/8"	28" x 23" x 9 3/4"
Weight (lb)		60	58
Part # *	120V Mechanical	21-1923	21-2003-01
	120V Digital	21-1944-01	21-2003-02
	120V Touchscreen		21-2003-03
	220V Mechanical	21-1925	21-2004-01
	220V Digital	21-1944-02	21-2004-02
	220V Touchscreen		21-2004-03

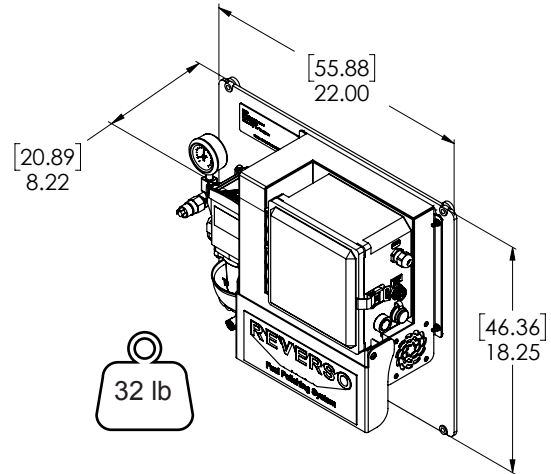
*Refer to sales sheet for complete offering of basic features, options, and part #s.

Primary dimensions in inches. Secondary dimensions in centimeters.

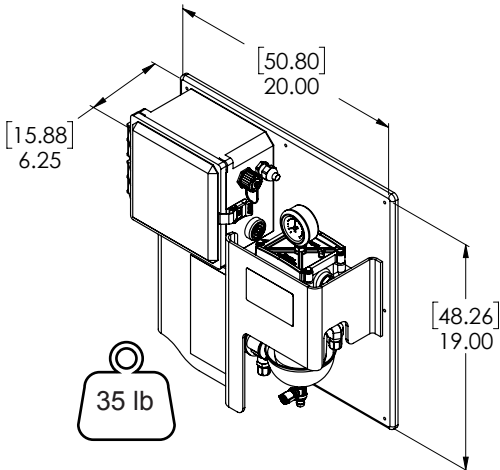
Previous FPS-80



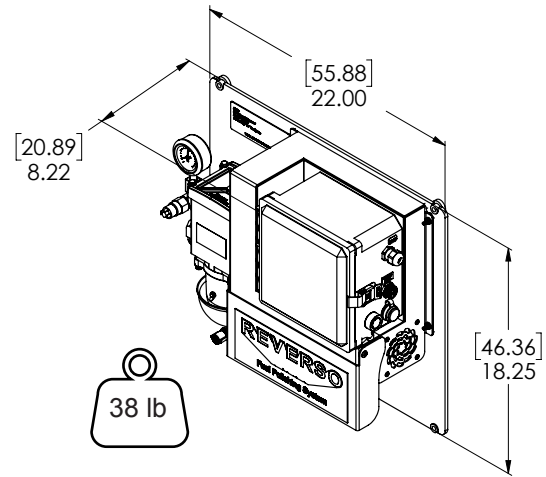
Updated FPS-80



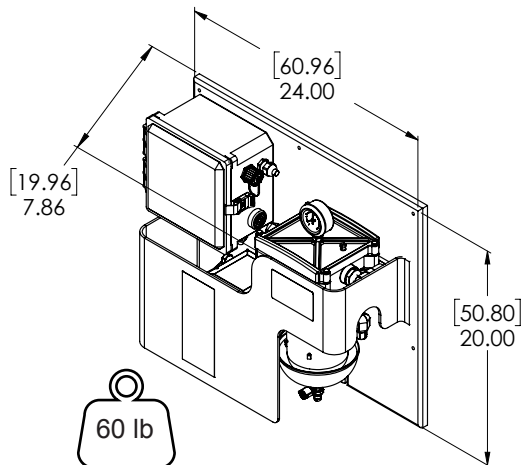
Previous FPS-150



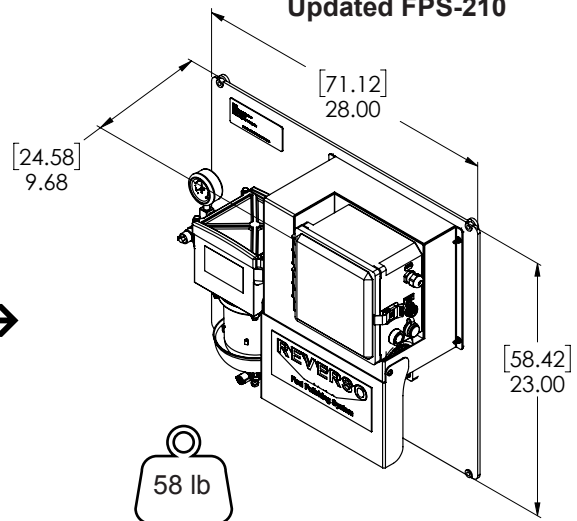
Updated FPS-150



Previous FPS-210



Updated FPS-210



Version: 12/14/2020